



Model Number GR3-CI-TF-449TS-2-BR-E-250-460-60

MFG PN T449TS250U2B

List Price --

All data shown at HIGH voltage setting

Format STD 3 Phase

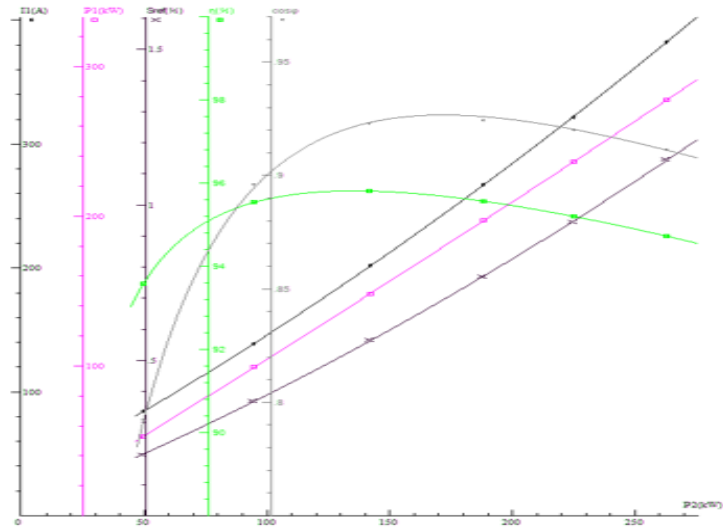
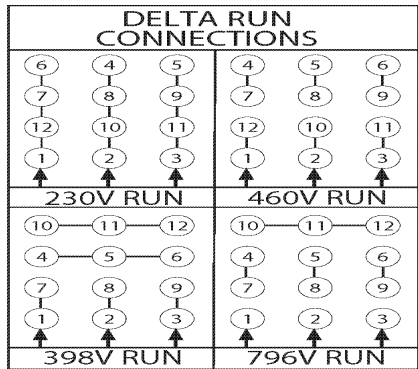
Electrical Data		General Data	
Rated Motor Output Power	250 HP	Frame Size	449
Rated Motor Speed	3570 r/min	Enclosure	TEFC
Rated Motor Voltage (3 Phase)	460-60 Volts - HZ	Approximate Weight	2019.2
Rated Motor Current	542/271 Amps	NEMA Design	A
Service Factor	1.15	IP Rating	55
KVA Code	K	Insulation Class	F
Nominal Efficiency	95.8 %	Tropicalization	YES
Nominal Power Factor	0.9 cosθ	Duty	Cont.
Full Load Torque Ft-Lb	365.8496 Ft-Lb	Cable Entry	1.25
Temp Rise @ Full Load °C	75.3	Feet Removable	YES
Efficiency Level	IE3 - NEMA Premium	Double Drilled	NO

Load Data	RPM	Trq %FL	Current Amps	Mechanical Data	
Locked Rotor	-	451	3234	Rated Ambient (°C)	40
Breakdown	-	--	-	Rated Altitude (M)	1000
Pull Up	-	--	-	Coating	7024 - Graphite Grey
125% of FL	3580	-	338.18	Shaft Grounding	NO
75% of FL	3588	-	212.16	Brake Voltage (DC)	--
50% of FL	3592	-	156.19	Brake Torque (N-M)	--
No Load	--	-	81.11		

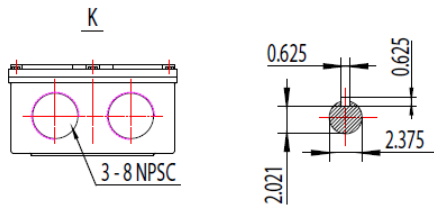
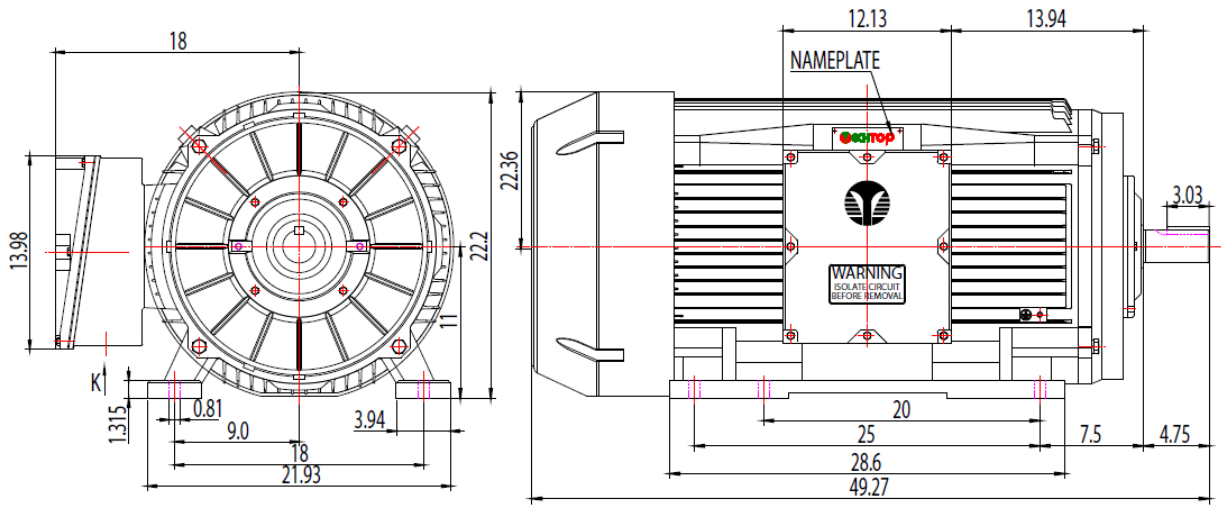
Hazardous Location	Class 1, Div 2, Grp A,B,C,D		Moment of Inertia	-- kg.m2
			Noise Level	Per NEMA dB (A)


CT VFD Range	--	Loaded Torque Curves	--
<p>P1 = INPUT POWER (KW), S = Slip (% of Sync RPM), η = Efficiency (%), cosφ = Power Factor</p>			

Certifications	UL	CSA	DOE
File Numbers	323353	224693	096A
Wiring Diagram	3PH 12 Lead Dual Voltage		



Model Number	GR3-CI-TF-449TS-2-BR-E-250-460-60
MFG PN	T449TS250U2B
List Price	--
Base Frame	GR-449TS-CI-TF



 ShangHai HIMAK Electrical Machinery CO.,LTD		NEMA TEFC 447-449TS	
Design	Standard	NO:	TXC 447-449TS CFC
Checker	Allow	STEP MARK	1:4.5 SORT Cast iron Motor
Auditing	Date		