



**Model Number** GR3-CI-TF-447T-4-BR-E-200-460-60

**MFG PN** TFC447T200U4B

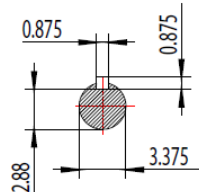
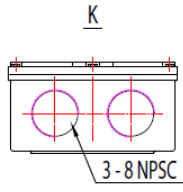
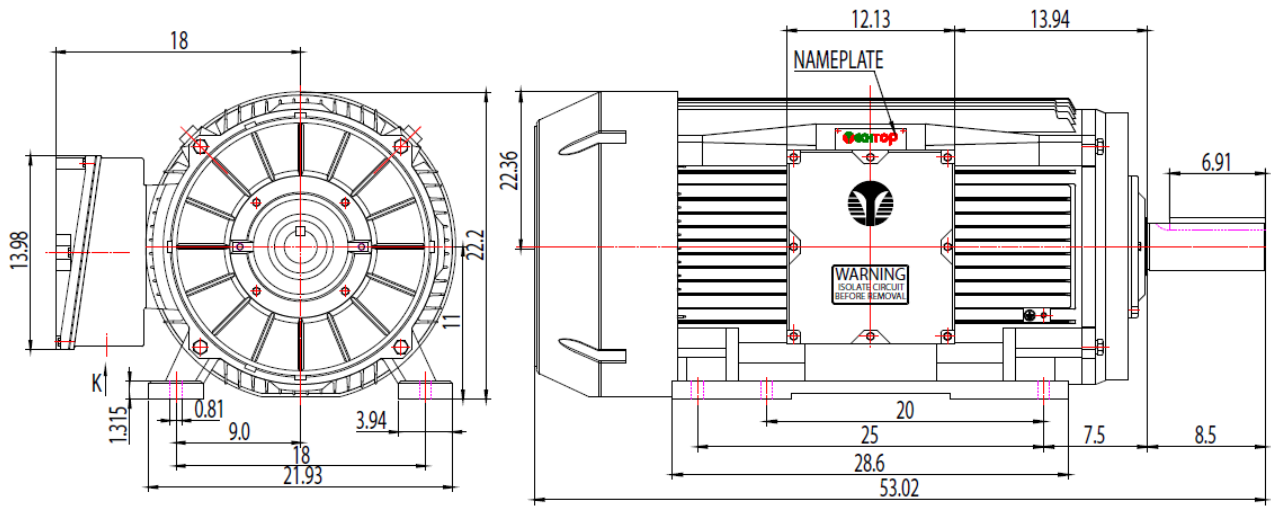
**List Price** --


All data shown at HIGH voltage setting

Format STD 3 Phase

Electrical Data				General Data	
Rated Motor Output Power	200 HP			Frame Size	447
Rated Motor Speed	1785 r/min			Enclosure	TEFC
Rated Motor Voltage (3 Phase)	460-60 Volts - HZ			Approximate Weight	2050
Rated Motor Current	434/217 Amps			NEMA Design	A
Service Factor	1.15			IP Rating	55
KVA Code	H			Insulation Class	F
Nominal Efficiency	96.2 %			Tropicalization	YES
Nominal Power Factor	0.9 cosθ			Duty	Cont.
Full Load Torque Ft-Lb	293.196 Ft-Lb			Cable Entry	1.25
Temp Rise @ Full Load °C	88.5			Feet Removable	YES
Efficiency Level	IE3 - NEMA Premium			Double Drilled	NO
Load Data	RPM	Trq %FL	Current Amps	Rated Ambient (°C)	40
Locked Rotor	-	260	1958	Rated Altitude (M)	1000
Breakdown	-	277	-	Coating	7024 - Graphite Grey
Pull Up	-	172	-	Shaft Grounding	NO
125% of FL	1781	-	287.3	Brake Voltage (DC)	
75% of FL	1788	-	188.32	Brake Torque (N-M)	
50% of FL	1792	-	132.79	Mechanical Data	
No Load	1800	-	61.44	Bearing DE Side	6319 C3
Hazardous Location	Class 1, Div 2, Grp A,B,C,D			Bearing NDE Side	6319 C3
				Moment of Inertia	kg.m2
				Noise Level	Per NEMA dB (A)
CT VFD Range		--		Loaded Torque Curves	
				P1 = INPUT POWER (KW), S = Slip (% of Sync RPM), η = Efficiency (%), cosφ = Power Factor	
Certifications	UL	CSA	DOE		
File Numbers	323353	224693	096A		
Wiring Diagram	3PH 12 Lead Dual Voltage				

Model Number	GR3-CI-TF-447T-4-BR-E-200-460-60
MFG PN	TFC447T200U4B
List Price	--
Base Frame	GR-447T-CI-TF



 Shanghai HIMAK Electrical Machinery CO., LTD		NEMA TEFC 447-449T	
Design	Standard	NO:	TXC 447-449T CFC
Checker	Allow	STEP MARK	1:4.5 SORT Cast iron Motor
Auditing	Date		