



Model Number GR3-CI-TF-445TS-2-BR-E-150-460-60

MFG PN T445TS150U2B

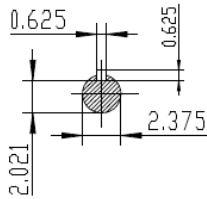
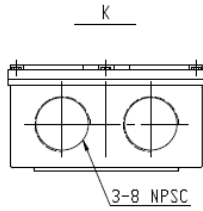
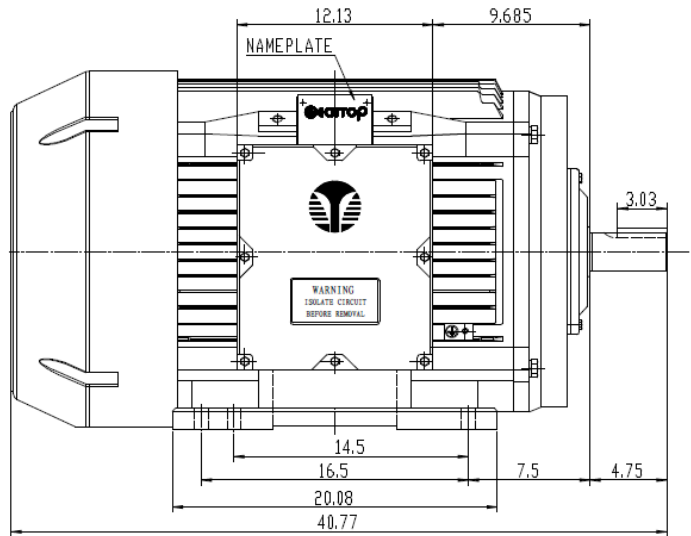
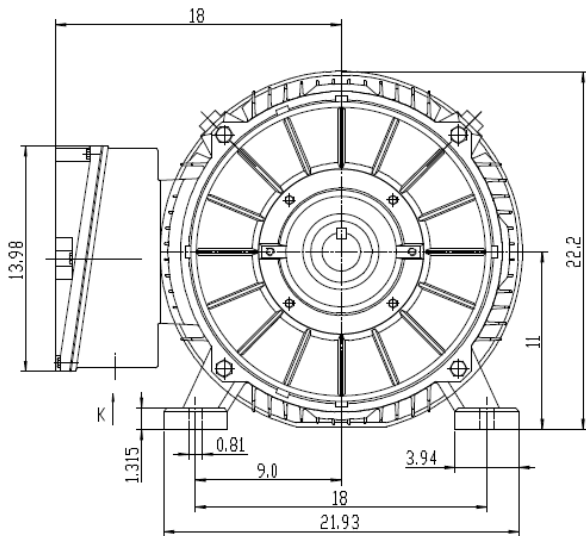
List Price --


All data shown at HIGH voltage setting

Format STD 3 Phase

Electrical Data				General Data	
Rated Motor Output Power	150 HP			Frame Size	445
Rated Motor Speed	3570 r/min			Enclosure	TEFC
Rated Motor Voltage (3 Phase)	460-60 Volts - HZ			Approximate Weight	1540
Rated Motor Current	318/159 Amps			NEMA Design	A
Service Factor	1.15			IP Rating	55
KVA Code	H			Insulation Class	F
Nominal Efficiency	95 %			Tropicalization	YES
Nominal Power Factor	0.93 cosθ			Duty	Cont.
Full Load Torque Ft-Lb	215.08416 Ft-Lb			Cable Entry	1.25
Temp Rise @ Full Load °C	71.4			Feet Removable	YES
Efficiency Level	IE3 - NEMA Premium			Double Drilled	NO
Load Data	RPM	Trq %FL	Current Amps	Rated Ambient (°C)	40
Locked Rotor	-	224	1445	Rated Altitude (M)	1000
Breakdown	-	271	-	Coating	7024 - Graphite Grey
Pull Up	-	66	-	Shaft Grounding	NO
125% of FL	3565	-	182.54	Brake Voltage (DC)	
75% of FL	3577	-	118	Brake Torque (N-M)	
50% of FL	3585	-	82.26	Mechanical Data	
No Load	3599	-	29.38	Bearing DE Side	6316 C3
Hazardous Location	Class 1, Div 2, Grp A,B,C,D			Bearing NDE Side	6316 C3
				Moment of Inertia	kg.m2
				Noise Level	Per NEMA dB (A)
CT VFD Range		--		Loaded Torque Curves	
				P1 = INPUT POWER (KW), S = Slip (% of Sync RPM), η = Efficiency (%), cosφ = Power Factor	
Certifications	UL	CSA	DOE		
File Numbers	323353	224693	096A		
Wiring Diagram	3PH 12 Lead Dual Voltage				

Model Number	GR3-CI-TF-445TS-2-BR-E-150-460-60
MFG PN	T445TS150U2B
List Price	--
Base Frame	GR-445TS-CI-TF



 Shanghai HIMAK Electrical Machinery CO.,LTD		NEMA TEFC 444-445TS	
Design	Standard	NO:	TXC 444-445TS CFC
Checker	Allow	STEP MARK	1:4
Auditing	Date	SORT	Cast Iron Motor