



Model Number GR3-CI-TF-445TC-4-BR-E-150-460-60

MFG PN T445T150U4B

List Price --

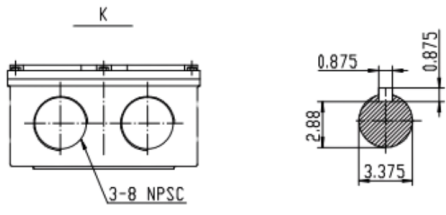
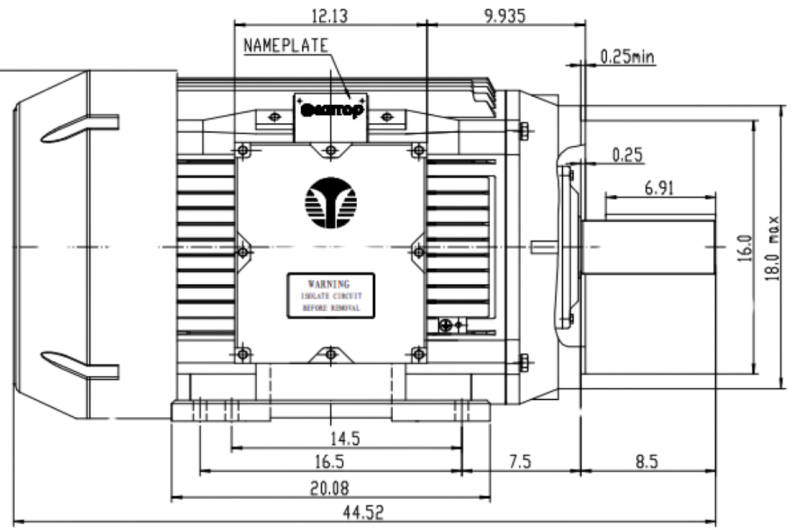
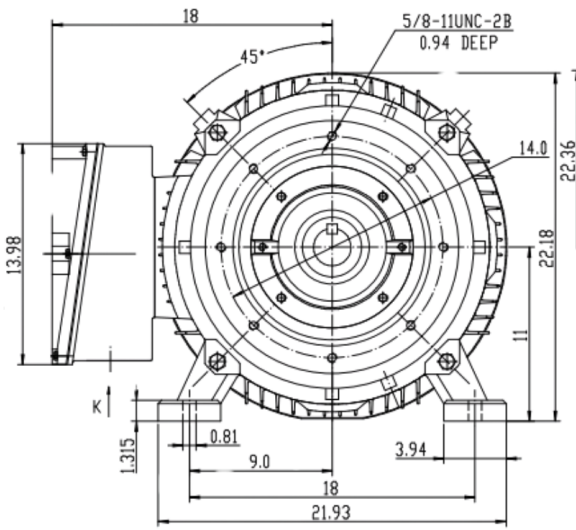
All data shown at HIGH voltage setting

Format STD 3 Phase

Electrical Data				General Data	
Rated Motor Output Power	150 HP			Frame Size	445
Rated Motor Speed	1785 r/min			Enclosure	TEFC
Rated Motor Voltage (3 Phase)	460-60 Volts - HZ			Approximate Weight	1507
Rated Motor Current	330/165 Amps			NEMA Design	A
Service Factor	1.15			IP Rating	55
KVA Code	K			Insulation Class	F
Nominal Efficiency	95.8 %			Tropicalization	YES
Nominal Power Factor	0.89 cosθ			Duty	Cont.
Full Load Torque Ft-Lb	441.96992 Ft-Lb			Cable Entry	1.25
Temp Rise @ Full Load °C	71.7			Feet Removable	YES
Efficiency Level	IE3 - NEMA Premium			Double Drilled	NO
Load Data	RPM	Trq %FL	Current Amps	Rated Ambient (°C)	40
Locked Rotor	-	310	1544	Rated Altitude (M)	1000
Breakdown	-	371	-	Coating	7024 - Graphite Grey
Pull Up	-	426	-	Shaft Grounding	NO
125% of FL	1784	-	203.29	Brake Voltage (DC)	
75% of FL	1791	-	125.83	Brake Torque (N-M)	
50% of FL	1794	-	91.81	Mechanical Data	
No Load		-	49.19	Bearing DE Side	6319 C3
Hazardous Location	Class 1, Div 2, Grp A,B,C,D			Bearing NDE Side	6319 C3
				Moment of Inertia	kg.m2
				Noise Level	Per NEMA dB (A)
				--	
CT VFD Range		--		Loaded Torque Curves	
<p>P1 = INPUT POWER (KW), S = Slip (% of Sync RPM), η = Efficiency (%), cosφ = Power Factor</p>					
Certifications	UL	CSA	DOE		
File Numbers	323353	224693	096A		
Wiring Diagram	3PH 12 Lead Dual Voltage				
<p>Techtop Industries -2815 Colonnades Court - Peachtree Corners, GA 30071 - Phone: (678) 436-5540</p>					



Model Number	GR3-CI-TF-445TC-4-BR-E-150-460-60
MFG PN	T445T150U4B
List Price	--
Base Frame	GR-445TC-CI-TF



MODEL NUMBER	GR-CI-TF-444(S)TC	ISSUE DATE:	
DIMENSIONS	IN		
CASTING MATERIAL	CAST IRON	WWW.TECHTOPIND.COM	

Techtop Industries -2815 Colonnades Court - Peachtree Corners, GA 30071 - Phone: (678) 436-5540

Techtop Industries -2815 Colonnades Court - Peachtree Corners, GA 30071 - Phone: (678) 436-5540