



Model Number GR3-CI-TF-405TSC-2-BR-D-100-230|460-60

MFG PN T405TS100U2B

List Price --

All data shown at HIGH voltage setting

Format STD 3 Phase

Electrical Data		General Data	
Rated Motor Output Power	100 HP	Frame Size	405
Rated Motor Speed	3565 r/min	Enclosure	TEFC
Rated Motor Voltage (3 Phase)	230 460-60 Volts - HZ	Approximate Weight	1030
Rated Motor Current	222/111 Amps	NEMA Design	A
Service Factor	1.15	IP Rating	55
KVA Code	K	Insulation Class	F
Nominal Efficiency	94.1 %	Tropicalization	YES
Nominal Power Factor	0.9 cosθ	Duty	Cont.
Full Load Torque Ft-Lb	147.96256 Ft-Lb	Cable Entry	1.25
Temp Rise @ Full Load °C	67	Feet Removable	YES
Efficiency Level	IE3 - NEMA Premium	Double Drilled	NO

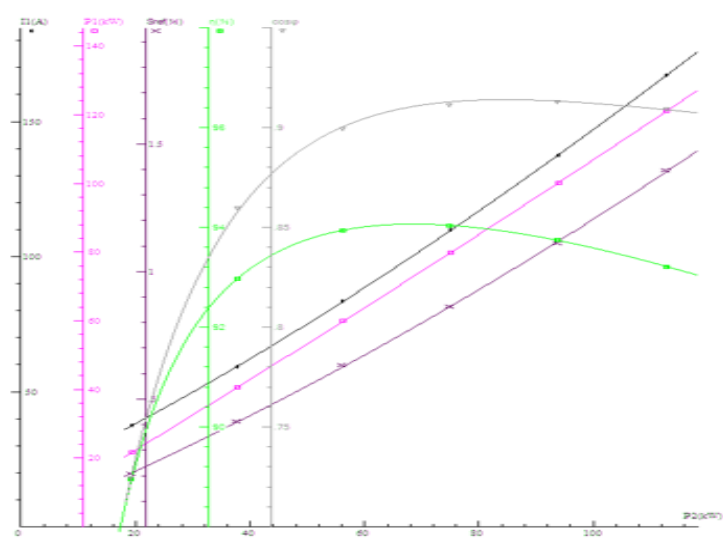
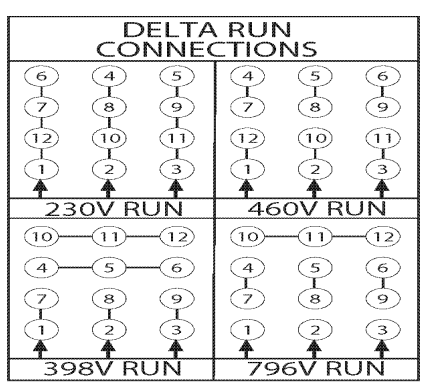
Load Data	RPM	Trq %FL	Current Amps	Mechanical Data	
Locked Rotor	-	324	1032	Bearing DE Side	6314 C3
Breakdown	-	304	-	Bearing NDE Side	6314 C3
Pull Up	-	205	-	Moment of Inertia	-- kg.m2
125% of FL	3560	-	137.5	Noise Level	Per NEMA dB (A)
75% of FL	3577	-	83.46		
50% of FL	3585	-	59.12		
No Load	--	-	24.33		

Hazardous Location	Class 1, Div 2, Grp A,B,C,D			Loaded Torque Curves	
				P1 = INPUT POWER (KW), S = Slip (% of Sync RPM), η = Efficiency (%), cosφ = Power Factor	

CT VFD Range	--
--------------	----

Certifications	UL	CSA	DOE
File Numbers	323353	224693	096A

Wiring Diagram 3PH 12 Lead Dual Voltage





Model Number	GR3-CI-TF-405TSC-2-BR-D-100-230 460-60
MFG PN	T405TS100U2B
List Price	--
Base Frame	GR-405TSC-CI-TF

Techtop Industries -2815 Colonnades Court - Peachtree Corners, GA 30071 - Phone: (678) 436-5540