



<b>Model Number</b>	GR3-CI-TF-405TC-4-BR-D-100-230 460-60
<b>MFG PN</b>	TFC405T100U4B
<b>List Price</b>	--

All data shown at HIGH voltage setting

Format | STD 3 Phase

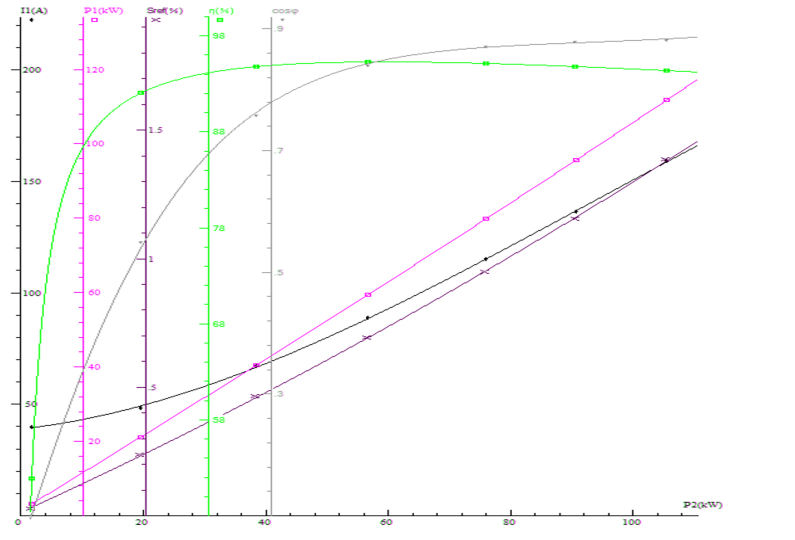
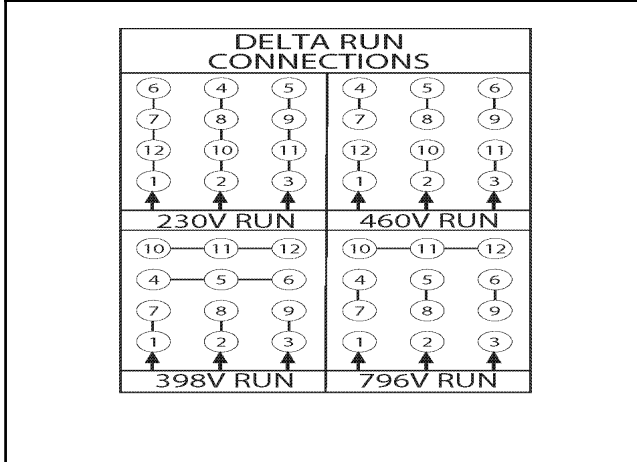
Electrical Data		General Data	
Rated Motor Output Power	100 HP	Frame Size	405
Rated Motor Speed	1780 r/min	Enclosure	TEFC
Rated Motor Voltage (3 Phase)	230 460-60 Volts - HZ	Approximate Weight	1013
Rated Motor Current	228/114 Amps	NEMA Design	A
Service Factor	1.15	IP Rating	55
KVA Code	L	Insulation Class	F
Nominal Efficiency	95.4 %	Tropicalization	YES
Nominal Power Factor	0.86 cosθ	Duty	Cont.
Full Load Torque Ft-Lb	294.3024 Ft-Lb	Cable Entry	1.25
Temp Rise @ Full Load °C		Feet Removable	YES
Efficiency Level	IE3 - NEMA Premium	Double Drilled	NO

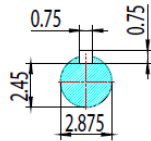
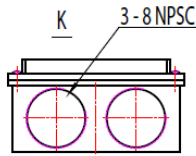
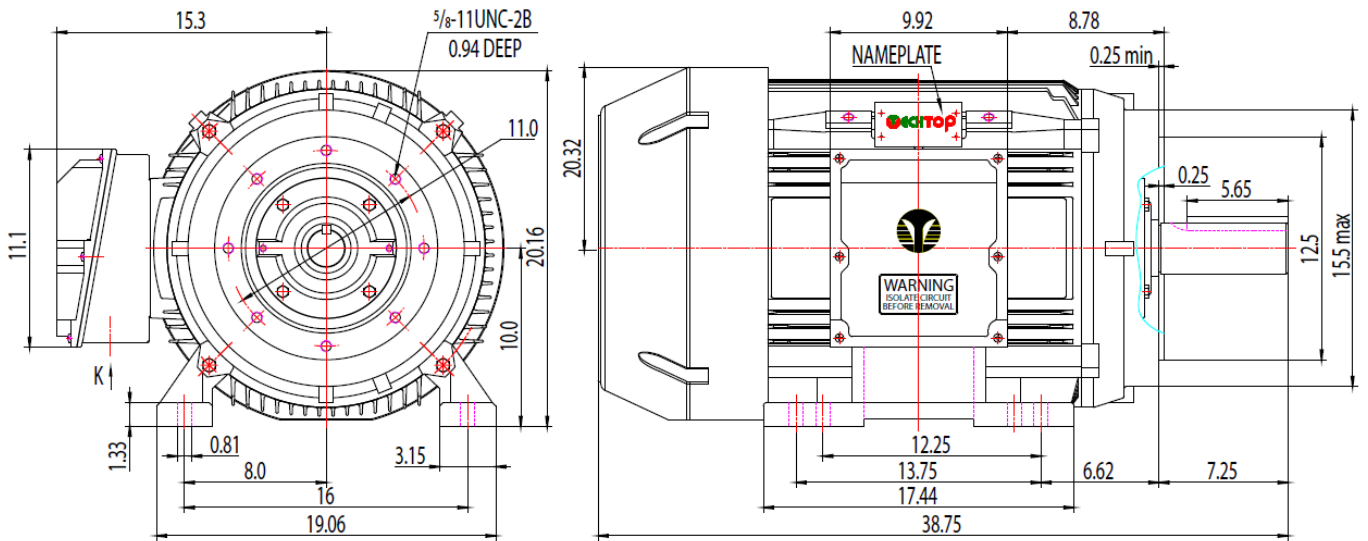
Load Data	RPM	Trq %FL	Current Amps	Mechanical Data	
Locked Rotor	-	332	1130	Bearing DE Side	6316 C3
Breakdown	-	154	-	Bearing NDE Side	6314 C3
Pull Up	-	99	-	Moment of Inertia	kg.m2
125% of FL	1778	-	141.43	Noise Level	Per NEMA dB (A)
75% of FL	1788	-	87.98		
50% of FL	1792	-	65.67		
No Load		-	41.22		


Hazardous Location	Class 1, Div 2, Grp A,B,C,D		
--------------------	-----------------------------	--	--

CT VFD Range	--	<b>Loaded Torque Curves</b>	--
<b>P1 = INPUT POWER (KW), S = Slip (% of Sync RPM), η = Efficiency (%), cosφ = Power Factor</b>			

Certifications	UL	CSA	DOE
File Numbers	323353	224693	096A
Wiring Diagram	3PH 12 Lead Dual Voltage		





 ShangHai HIMAK Electrical Machinery CO.,LTD		NEMA TEFC 404(5)TC CFC	
Design	Standard	NO:	1HMY.010.C030
Checker	Allow	STEP MARK:	1:3.5 SORT Cast iron Motor
Auditing	Date		