



Model Number GR3-CI-TF-405T-4-RR-D-100-230|460-60

MFG PN T405T100U4B

List Price --

All data shown at HIGH voltage setting

Format STD 3 Phase

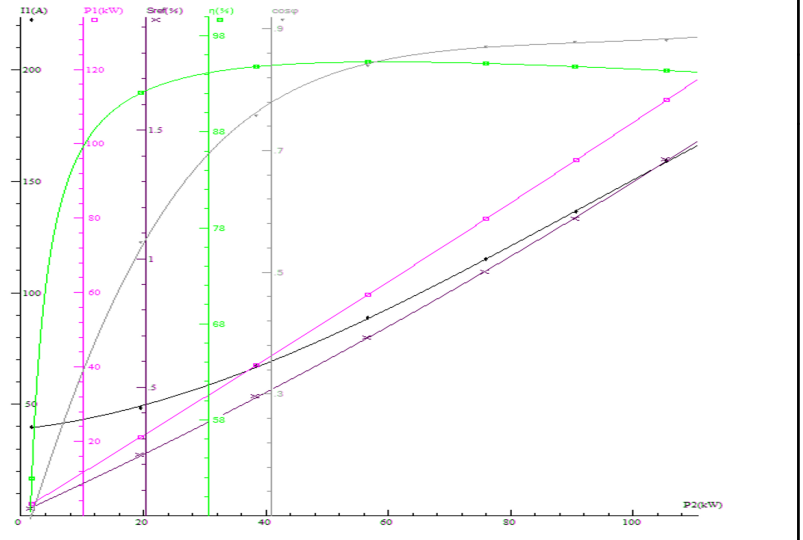
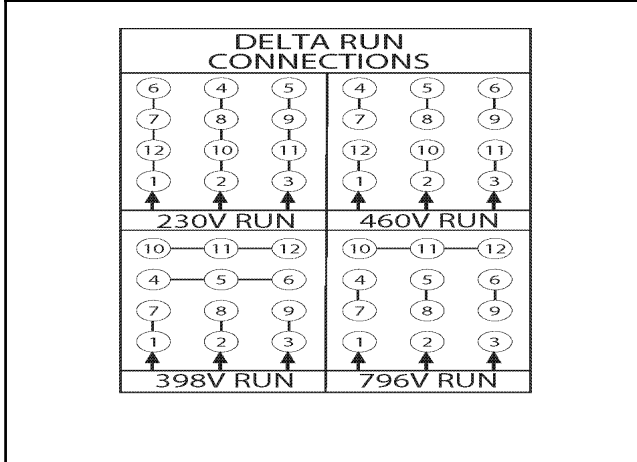
Electrical Data		General Data	
Rated Motor Output Power	100 HP	Frame Size	405
Rated Motor Speed	1780 r/min	Enclosure	TEFC
Rated Motor Voltage (3 Phase)	230 460-60 Volts - HZ	Approximate Weight	1013
Rated Motor Current	228/114 Amps	NEMA Design	A
Service Factor	1.15	IP Rating	55
KVA Code	H	Insulation Class	F
Nominal Efficiency	95.4 %	Tropicalization	YES
Nominal Power Factor	0.86 cosθ	Duty	Cont.
Full Load Torque Ft-Lb	294.3024 Ft-Lb	Cable Entry	1.25
Temp Rise @ Full Load °C	70.3	Feet Removable	YES
Efficiency Level	IE3 - NEMA Premium	Double Drilled	NO

Load Data	RPM	Trq %FL	Current Amps	Rated Ambient (°C)
Locked Rotor	-	332	1130	40
Breakdown	-	154	-	Rated Altitude (M)
Pull Up	-	99	-	1000
125% of FL	1778	-	141.43	Coating
75% of FL	1788	-	87.98	7024 - Graphite Grey
50% of FL	1792	-	65.67	Shaft Grounding
No Load	--	-	41.22	NO

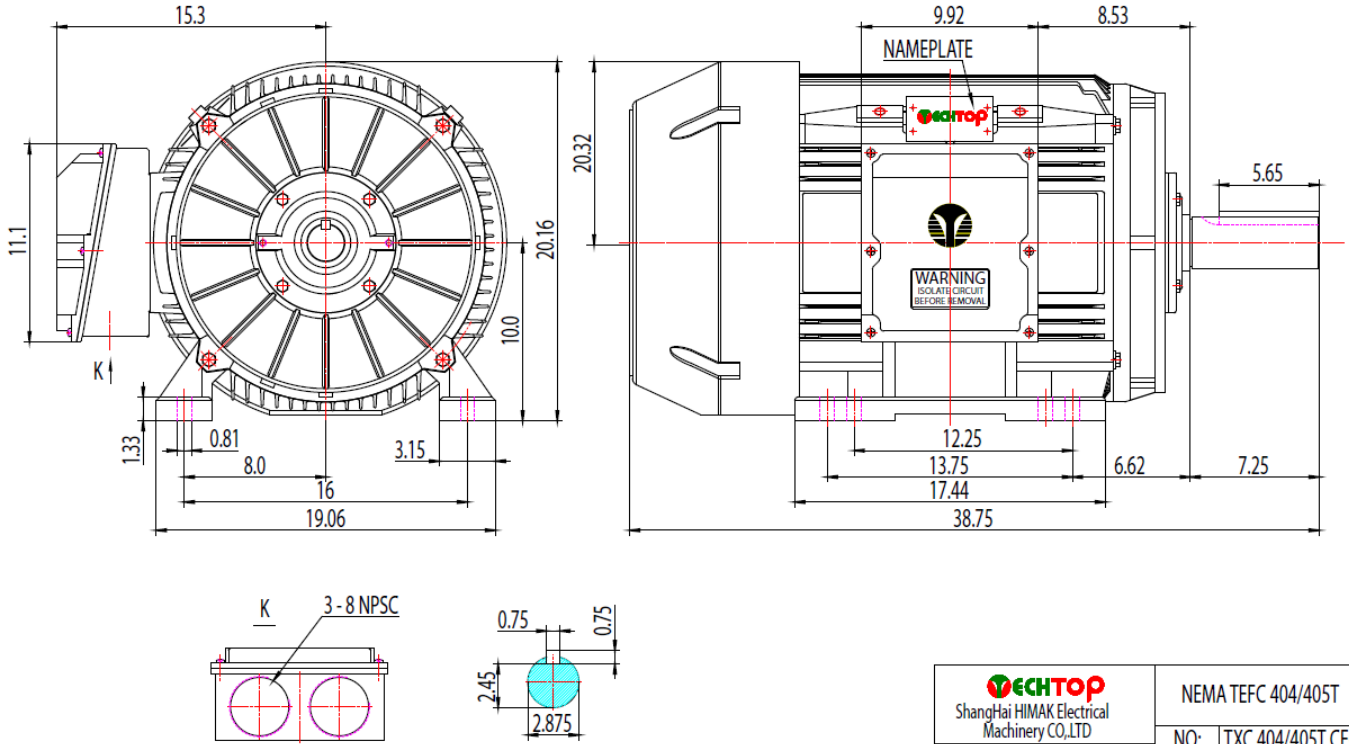
				Mechanical Data			
Hazardous Location				Class 1, Div 2, Grp A,B,C,D		Bearing DE Side	NU 316
						Bearing NDE Side	6314 C3
						Moment of Inertia	-- kg.m2
						Noise Level	Per NEMA dB (A)


Loaded Torque Curves	
CT VFD Range	--
P1 = INPUT POWER (KW), S = Slip (% of Sync RPM), η = Efficiency (%), cosφ = Power Factor	

Certifications	UL	CSA	DOE
File Numbers	323353	224693	096A
Wiring Diagram	3PH 12 Lead Dual Voltage		



Model Number	GR3-CI-TF-405T-4-RR-D-100-230 460-60
MFG PN	T405T100U4B
List Price	--
Base Frame	GR-405T-CI-TF



 ShangHai HIMAK Electrical Machinery CO.,LTD		NEMA TEFC 404/405T	
Design	Yang	Standard	
Checker	01.06.2016	Allow	
Auditing		Date	
NO: TXC 404/405T CFC		STEP MARK	1:3.5 SORT Cast iron Motor