



Model Number GR3-CI-TF-405T-4-BR-D-100-230|460-60

MFG PN TFC405T100U4B

List Price --

All data shown at HIGH voltage setting

Format STD 3 Phase

Electrical Data		General Data	
Rated Motor Output Power	100 HP	Frame Size	405
Rated Motor Speed	1780 r/min	Enclosure	TEFC
Rated Motor Voltage (3 Phase)	230 460-60 Volts - HZ	Approximate Weight	1013
Rated Motor Current	228/114 Amps	NEMA Design	A
Service Factor	1.15	IP Rating	55
KVA Code	L	Insulation Class	F
Nominal Efficiency	95.4 %	Tropicalization	YES
Nominal Power Factor	0.86 cosθ	Duty	Cont.
Full Load Torque Ft-Lb	294.3024 Ft-Lb	Cable Entry	1.25
Temp Rise @ Full Load °C		Feet Removable	YES
Efficiency Level	IE3 - NEMA Premium	Double Drilled	NO

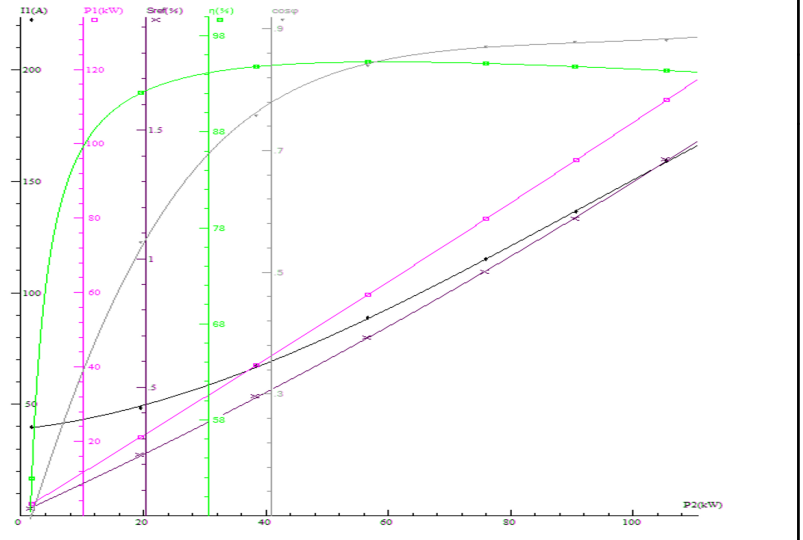
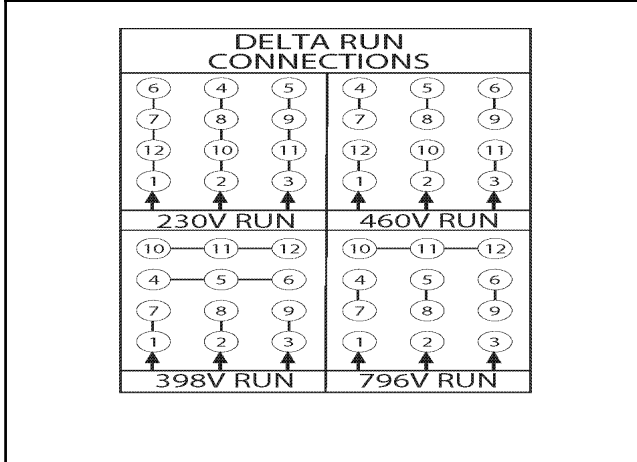
Load Data	RPM	Trq %FL	Current Amps	Mechanical Data	
Locked Rotor	-	332	1130	Bearing DE Side	6316 C3
Breakdown	-	154	-	Bearing NDE Side	6314 C3
Pull Up	-	99	-	Moment of Inertia	kg.m2
125% of FL	1778	-	141.43	Noise Level	Per NEMA dB (A)
75% of FL	1788	-	87.98		
50% of FL	1792	-	65.67		
No Load		-	41.22		

Hazardous Location	Class 1, Div 2, Grp A,B,C,D			Rated Ambient (°C)	40
--------------------	-----------------------------	--	--	--------------------	----

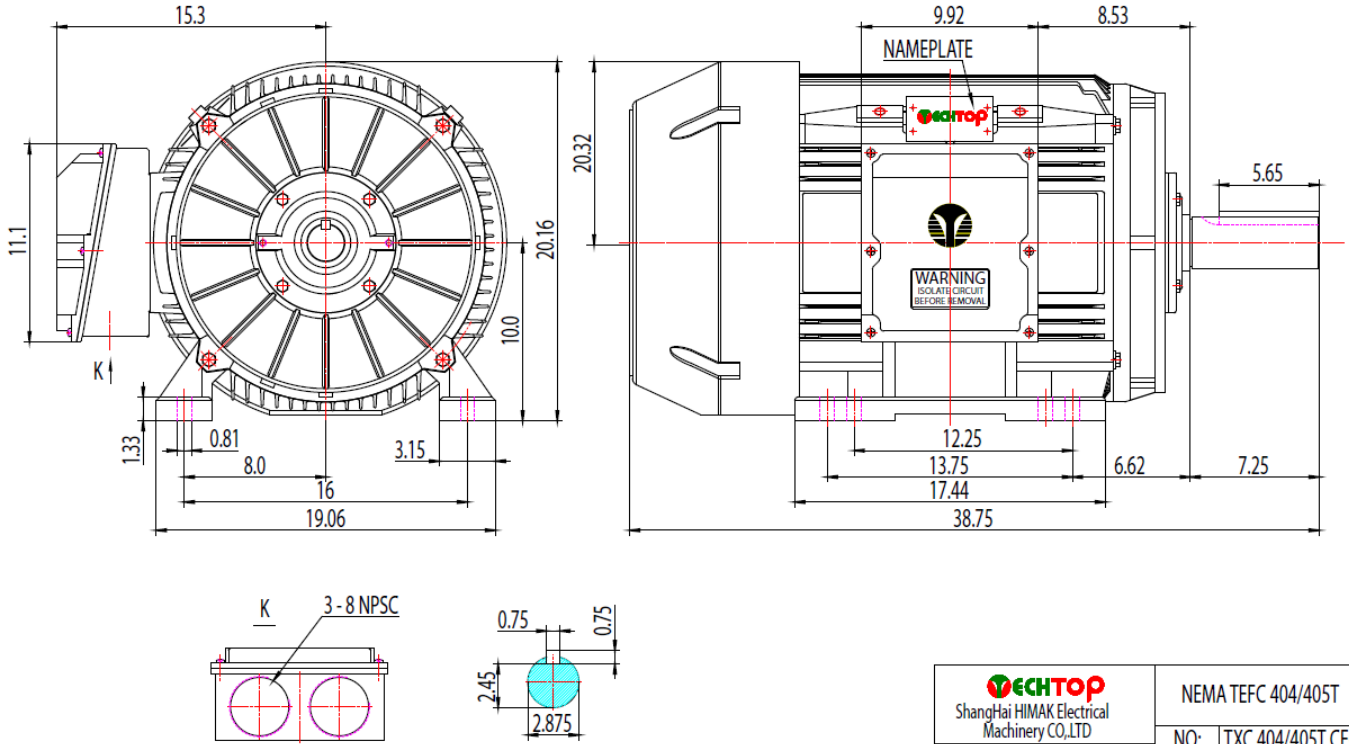
CT VFD Range	--	Loaded Torque Curves	--
--------------	----	----------------------	----


P1 = INPUT POWER (KW), S = Slip (% of Sync RPM), η = Efficiency (%), cosφ = Power Factor

Certifications	UL	CSA	DOE
File Numbers	323353	224693	096A
Wiring Diagram	3PH 12 Lead Dual Voltage		



Model Number	GR3-CI-TF-405T-4-BR-D-100-230 460-60
MFG PN	TFC405T100U4B
List Price	--
Base Frame	GR-405T-CI-TF



 ShangHai HIMAK Electrical Machinery CO.,LTD			NEMA TEFC 404/405T		
Design	Yang	Standard	NO:	TXC 404/405T CFC	
Checker	01.06.2016	Allow	STEP MARK	1:3.5	SORT Cast iron Motor
Auditing		Date			