



Model Number GR3-CI-TF-404T-6-RR-D-60-230|460-60

MFG PN TFC404T60U6B

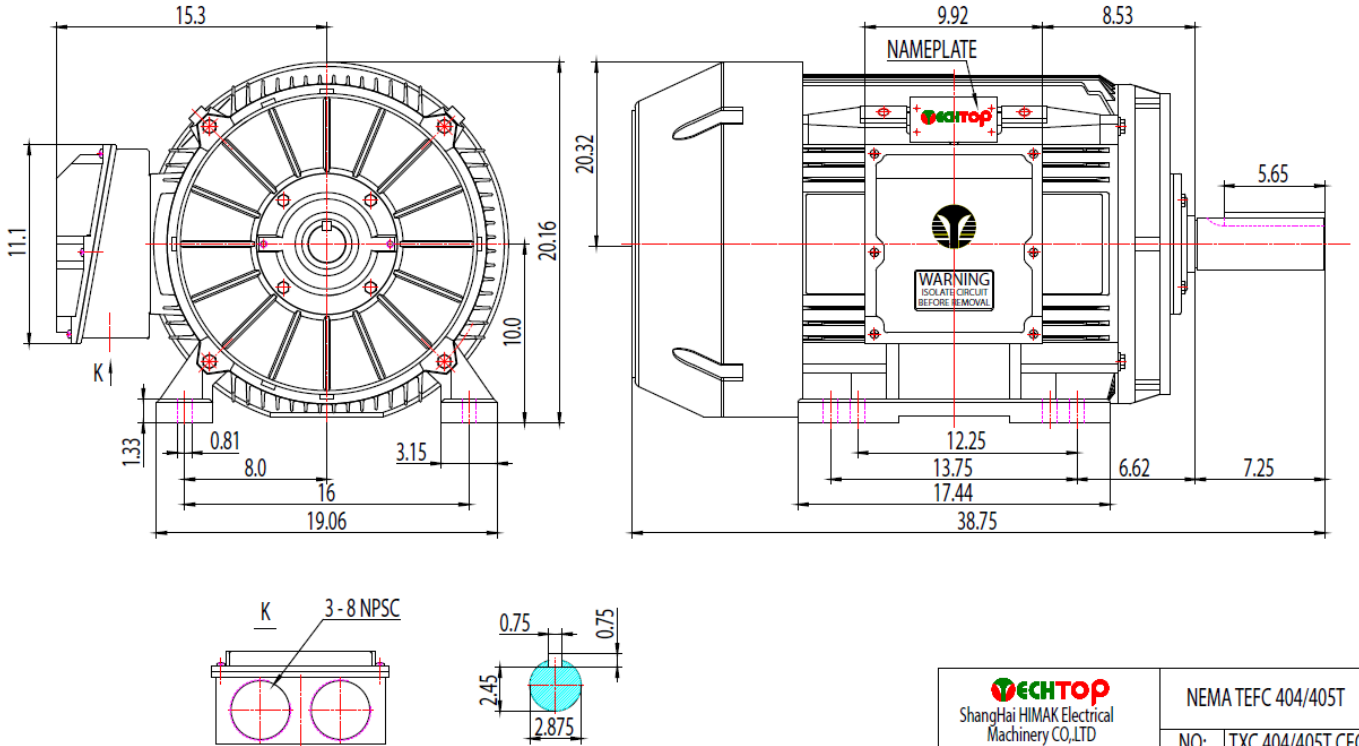
List Price --


All data shown at HIGH voltage setting

Format STD 3 Phase

Electrical Data				General Data	
Rated Motor Output Power	60 HP			Frame Size	404
Rated Motor Speed	1185 r/min			Enclosure	TEFC
Rated Motor Voltage (3 Phase)	230 460-60 Volts - HZ			Approximate Weight	1014
Rated Motor Current	140/70 Amps			NEMA Design	A
Service Factor	1.15			IP Rating	55
KVA Code	J			Insulation Class	F
Nominal Efficiency	94.5 %			Tropicalization	YES
Nominal Power Factor	0.85 cosθ			Duty	Cont.
Full Load Torque Ft-Lb	268.4864 Ft-Lb			Cable Entry	1.25
Temp Rise @ Full Load °C	64.2			Feet Removable	YES
Efficiency Level	IE3 - NEMA Premium			Double Drilled	NO
Load Data	RPM	Trq %FL	Current Amps	Rated Ambient (°C)	40
Locked Rotor	-	237	551	Rated Altitude (M)	1000
Breakdown	-	240	-	Coating	7024 - Graphite Grey
Pull Up	-	126	-	Shaft Grounding	NO
125% of FL	1183	-	86.63	Brake Voltage (DC)	
75% of FL	1190	-	54.47	Brake Torque (N-M)	
50% of FL	1194	-	40.96	Mechanical Data	
No Load	1194	-	24.92	Bearing DE Side	NU 316
Hazardous Location	Class 1, Div 2, Grp A,B,C,D			Bearing NDE Side	6314 C3
				Moment of Inertia	kg.m2
				Noise Level	Per NEMA dB (A)
CT VFD Range		--		Loaded Torque Curves	
				P1 = INPUT POWER (KW), S = Slip (% of Sync RPM), η = Efficiency (%), cosφ = Power Factor	
Certifications	UL	CSA	DOE		
File Numbers	323353	224693	096A		
Wiring Diagram	3PH 12 Lead Dual Voltage				

Model Number	GR3-CI-TF-404T-6-RR-D-60-230 460-60
MFG PN	TFC404T60U6B
List Price	--
Base Frame	GR-404T-CI-TF



 Shanghai HIMAK Electrical Machinery CO.,LTD			NEMA TEFC 404/405T		
Design	Yang	Standard	NO:	TXC 404/405T CFC	
Checker	01.06.2016	Allow	STEP MARK	1,3,5	SORT Cast iron Motor
Auditing		Date			