



**Model Number** GR3-CI-TF-365TC-6-BR-D-50-230|460-60

**MFG PN** T365T50U6B

**List Price** --

All data shown at HIGH voltage setting

Format | STD 3 Phase

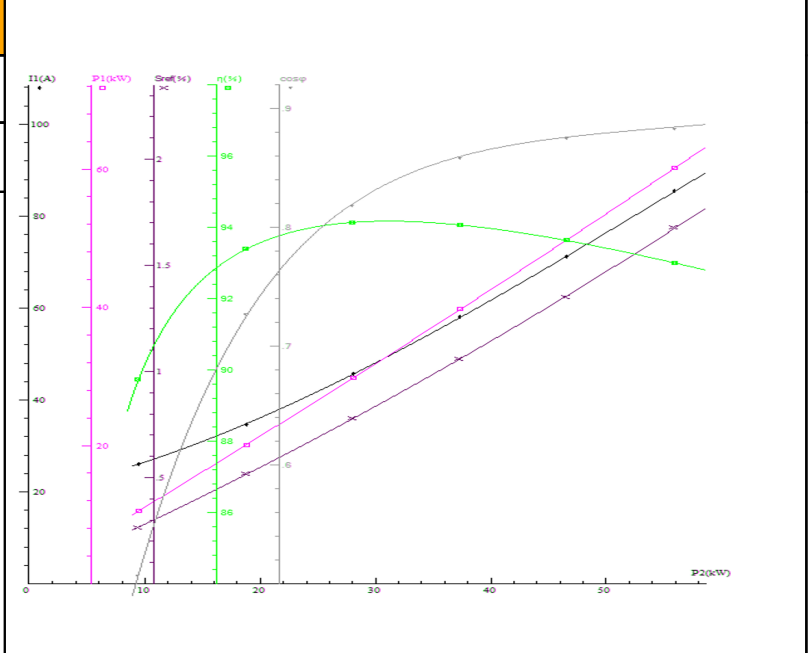
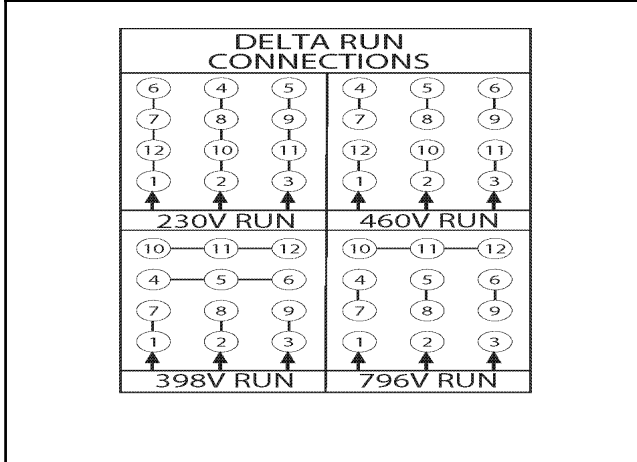
Electrical Data		General Data	
Rated Motor Output Power	50 HP	Frame Size	365
Rated Motor Speed	1185 r/min	Enclosure	TEFC
Rated Motor Voltage (3 Phase)	230 460-60 Volts - HZ	Approximate Weight	752.4
Rated Motor Current	116/58 Amps	NEMA Design	A
Service Factor	1.15	IP Rating	55
KVA Code	K	Insulation Class	F
Nominal Efficiency	94.1 %	Tropicalization	YES
Nominal Power Factor	0.86 cosθ	Duty	Cont.
Full Load Torque Ft-Lb	222.0176 Ft-Lb	Cable Entry	1.25
Temp Rise @ Full Load °C	66	Feet Removable	YES
Efficiency Level	IE3 - NEMA Premium	Double Drilled	NO

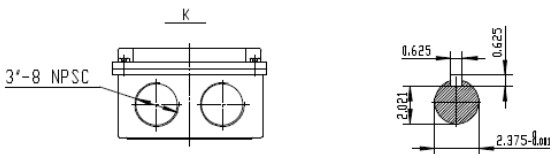
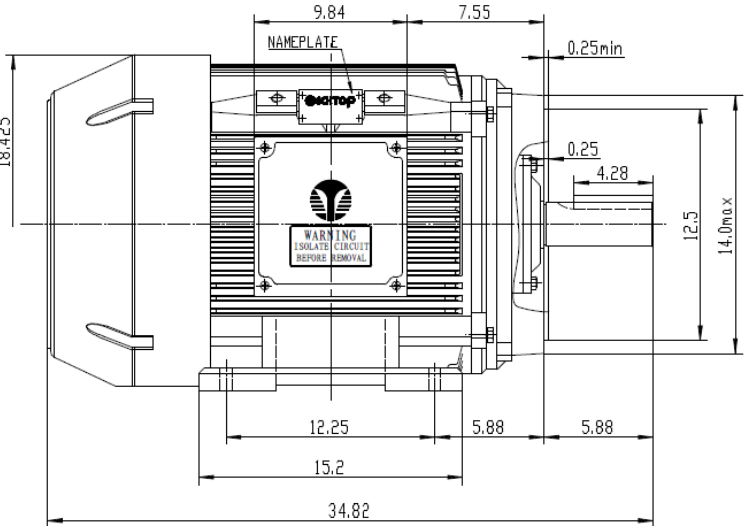
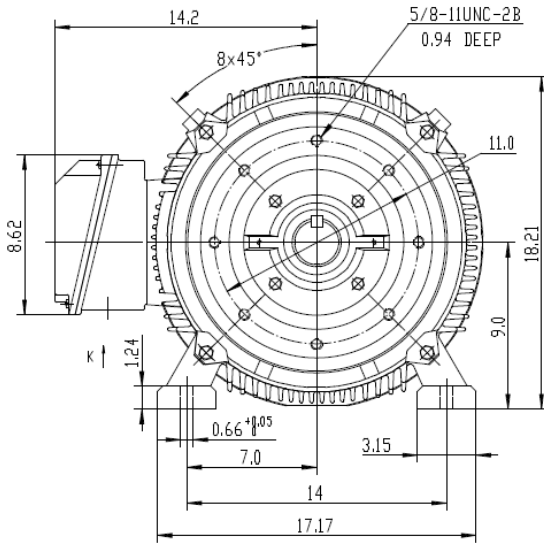
Load Data	RPM	Trq %FL	Current Amps	Mechanical Data	
Locked Rotor	-	301	550	Rated Ambient (°C)	40
Breakdown	-	319	-	Rated Altitude (M)	1000
Pull Up	-	183	-	Coating	7024 - Graphite Grey
125% of FL	1184	-	71.35	Shaft Grounding	NO
75% of FL	1191	-	45.5	Brake Voltage (DC)	--
50% of FL	1194	-	34.68	Brake Torque (N-M)	--
No Load	--	-	22.36		

Hazardous Location	Class 1, Div 2, Grp A,B,C,D			Bearing DE Side	6313 C3
				Bearing NDE Side	6313 C3
				Moment of Inertia	-- kg.m2
				Noise Level	Per NEMA dB (A)

CT VFD Range	--	<b>Loaded Torque Curves</b>	--
<b>P1 = INPUT POWER (KW), S = Slip (% of Sync RPM), η = Efficiency (%), cosφ = Power Factor</b>			

Certifications	UL	CSA	DOE
File Numbers	323353	224693	096A
Wiring Diagram	3PH 12 Lead Dual Voltage		





ShangHai HIMAK Electrical Machinery CO.,LTD

NEMA TEFC 365TC CFC

Design	Standard	NO:	1HMY.010.C028	
Checker	Allow	STEP MARK	1:5	SORT
Auditing	Date			Cast iron Motor