



Model Number GR3-CI-TF-365T-6-BR-D-50-230|460-60

MFG PN T365T50U6B

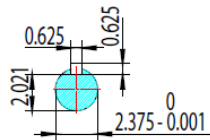
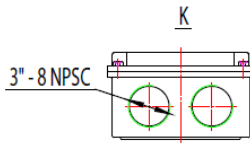
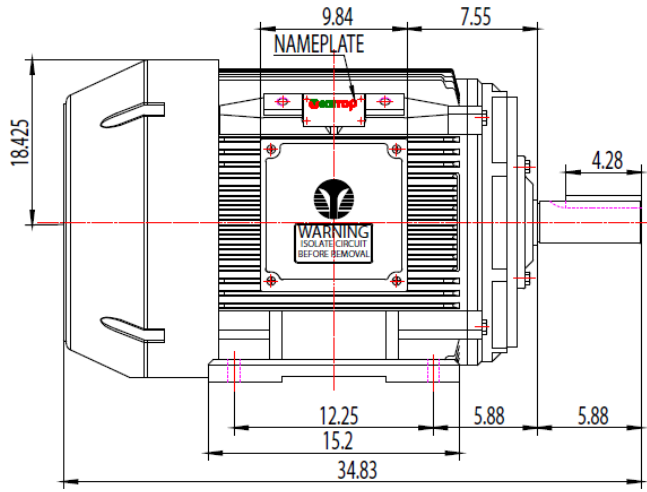
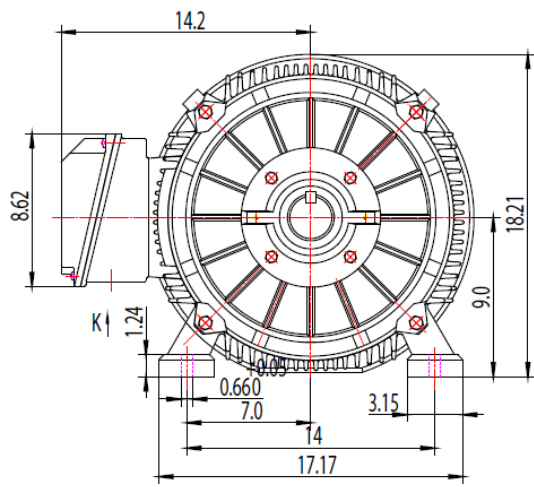
List Price --


All data shown at HIGH voltage setting

Format | STD 3 Phase

Electrical Data				General Data	
Rated Motor Output Power	50 HP			Frame Size	365
Rated Motor Speed	1185 r/min			Enclosure	TEFC
Rated Motor Voltage (3 Phase)	230 460-60 Volts - HZ			Approximate Weight	752.4
Rated Motor Current	116/58 Amps			NEMA Design	A
Service Factor	1.15			IP Rating	55
KVA Code	K			Insulation Class	F
Nominal Efficiency	94.1 %			Tropicalization	YES
Nominal Power Factor	0.86 cosθ			Duty	Cont.
Full Load Torque Ft-Lb	222.0176 Ft-Lb			Cable Entry	1.25
Temp Rise @ Full Load °C	66			Feet Removable	YES
Efficiency Level	IE3 - NEMA Premium			Double Drilled	NO
Load Data	RPM	Trq %FL	Current Amps	Rated Ambient (°C)	40
Locked Rotor	-	301	550	Rated Altitude (M)	1000
Breakdown	-	319	-	Coating	7024 - Graphite Grey
Pull Up	-	183	-	Shaft Grounding	NO
125% of FL	1184	-	71.35	Brake Voltage (DC)	--
75% of FL	1191	-	45.5	Brake Torque (N-M)	--
50% of FL	1194	-	34.68	Mechanical Data	
No Load	--	-	22.36	Bearing DE Side	6313 C3
Hazardous Location	Class 1, Div 2, Grp A,B,C,D			Bearing NDE Side	6313 C3
				Moment of Inertia	-- kg.m2
				Noise Level	Per NEMA dB (A)
CT VFD Range		--		Loaded Torque Curves	
				P1 = INPUT POWER (KW), S = Slip (% of Sync RPM), η = Efficiency (%), cosφ = Power Factor	
Certifications	UL	CSA	DOE		
File Numbers	323353	224693	096A		
Wiring Diagram	3PH 12 Lead Dual Voltage				

Model Number	GR3-CI-TF-365T-6-BR-D-50-230 460-60
MFG PN	T365T50U6B
List Price	--
Base Frame	GR-365T-CI-TF



 ShangHai HIMAK Electrical Machinery CO.,LTD			NEMA TEFC 365T			
			NO:	TXC 365T CFC		
Design	Yang	Standard	STEP MARK	1:5	SORT	Cast iron Motor
Checker	01.06.2016	Allow				
Auditing		Date				