



Model Number GR3-CI-TF-365JP-4-BR-D-75-230|460-60

MFG PN TFC365T75U4B

List Price --

All data shown at HIGH voltage setting

Format STD 3 Phase

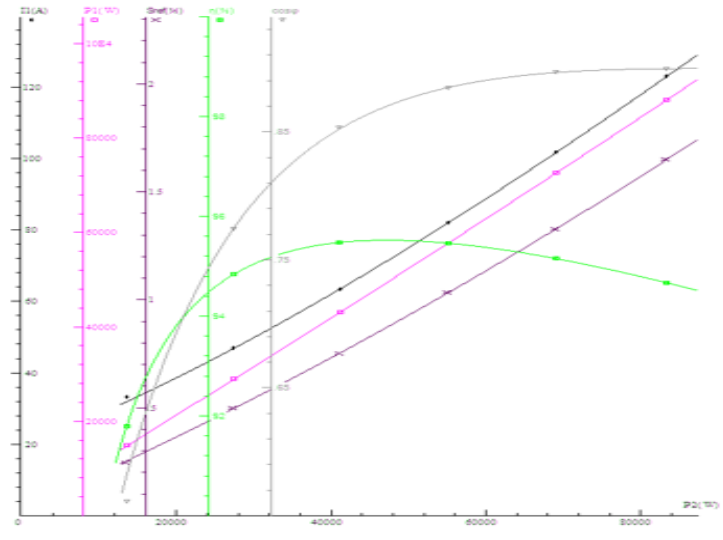
Electrical Data		General Data	
Rated Motor Output Power	75 HP	Frame Size	365
Rated Motor Speed	1780 r/min	Enclosure	TEFC
Rated Motor Voltage (3 Phase)	230 460-60 Volts - HZ	Approximate Weight	823
Rated Motor Current	167.2/83.6 Amps	NEMA Design	A
Service Factor	1.15	IP Rating	55
KVA Code	K	Insulation Class	F
Nominal Efficiency	95.4 %	Tropicalization	YES
Nominal Power Factor	0.88 cosθ	Duty	Cont.
Full Load Torque Ft-Lb	224.2304 Ft-Lb	Cable Entry	1.25
Temp Rise @ Full Load °C	62.5	Feet Removable	YES
Efficiency Level	IE3 - NEMA Premium	Double Drilled	NO

Load Data	RPM	Trq %FL	Current Amps	Mechanical Data	
Locked Rotor	-	328	829.5	Bearing DE Side	6313 C3
Breakdown	-	297	-	Bearing NDE Side	6313 C3
Pull Up	-	165	-	Moment of Inertia	kg.m2
125% of FL	1776	-	102.6	Noise Level	Per NEMA dB (A)
75% of FL	1786	-	64.35		
50% of FL	1791	-	47.41		
No Load		-	27.82		

Hazardous Location	Class 1, Div 2, Grp A,B,C,D		Rated Ambient (°C)	40
--------------------	-----------------------------	--	--------------------	----

CT VFD Range	--	Loaded Torque Curves		--
P1 = INPUT POWER (KW), S = Slip (% of Sync RPM), η = Efficiency (%), cosφ = Power Factor				

Certifications	UL	CSA	DOE
File Numbers	323353	224693	096A
Wiring Diagram	3PH 12 Lead Dual Voltage		



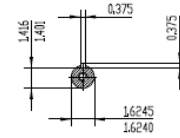
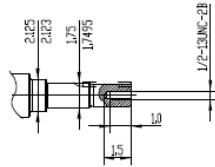
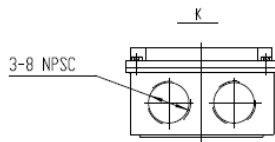
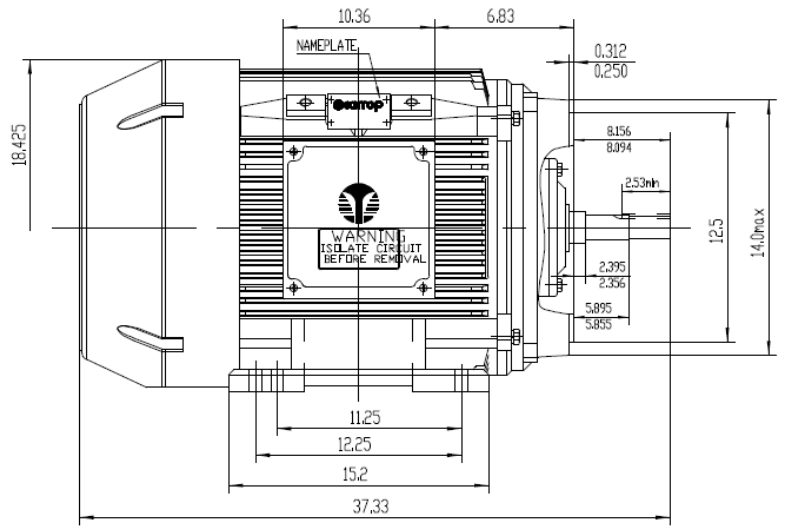
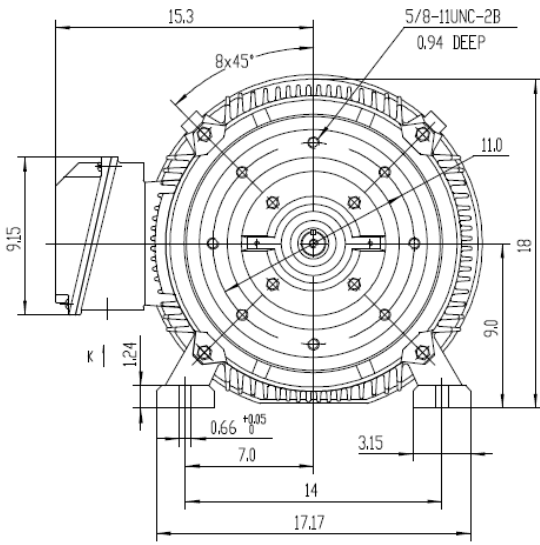


Model Number GR3-CI-TF-365JP-4-BR-D-75-230|460-60

MFG PN TFC365T75U4B

List Price --

Base Frame GR-365JP-CI-TF



 ShangHai HIMAK Electrical Machinery CO.,LTD		NEMA TEFC 365T JP	
		NO:	1HMY.010.JP008 CFC
Design	Standards	STEP MARK	1:5 SORT Cast iron Motor
Checker	Allow		
Auditing	Date		