



Model Number GR3-CI-TF-365JP-2-BR-D-75-230|460-60

MFG PN T365TS75U2B

List Price --

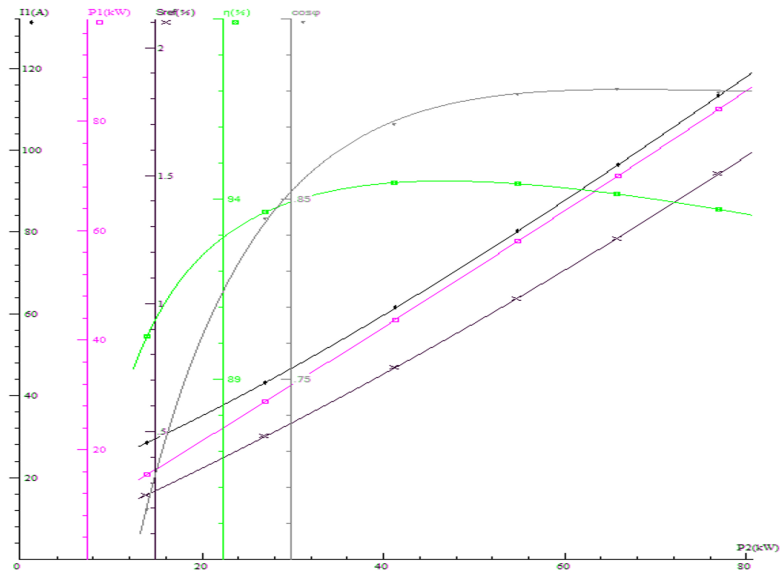
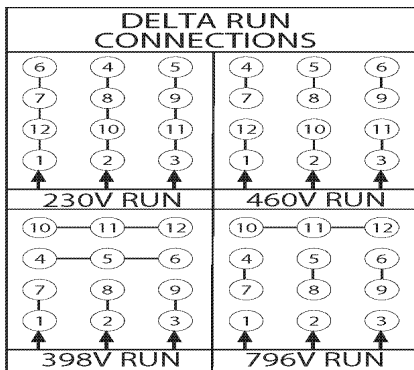
All data shown at HIGH voltage setting

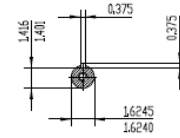
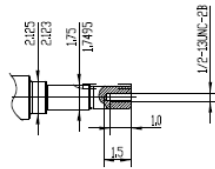
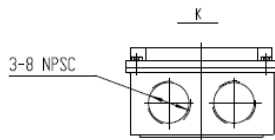
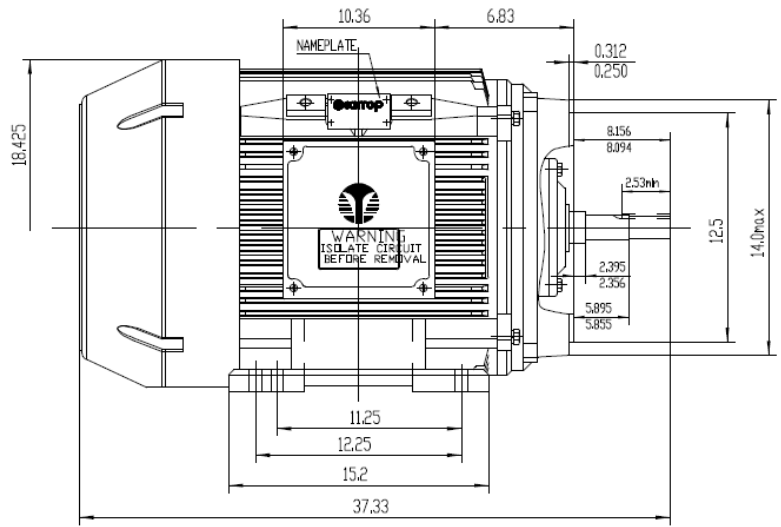
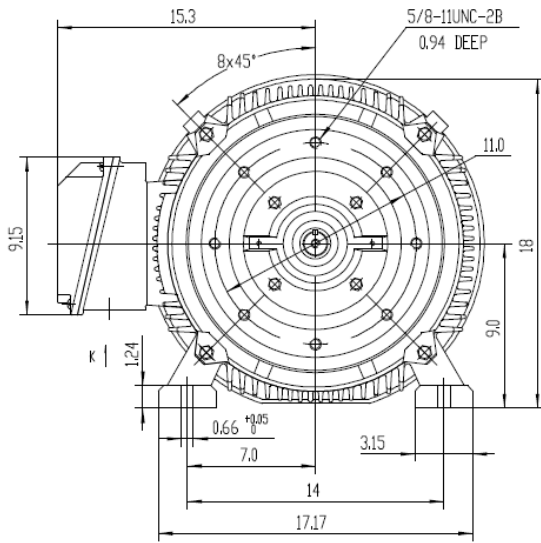
Format STD 1 Phase


Electrical Data				General Data	
Rated Motor Output Power	75 HP			Frame Size	365
Rated Motor Speed	3560 r/min			Enclosure	TEFC
Rated Motor Voltage (1 Phase)	230 460-60 Volts - HZ			Approximate Weight	903.1
Rated Motor Current	166.72/83.36 Amps			NEMA Design	A
Service Factor	1.15			IP Rating	55
KVA Code	K			Insulation Class	F
Nominal Efficiency	93.6 %			Tropicalization	YES
Nominal Power Factor	90 cosθ			Duty	Cont.
Full Load Torque Ft-Lb	109.1648 Ft-Lb			Cable Entry	1.25
Temp Rise @ Full Load °C	59.4			Feet Removable	YES
Efficiency Level	IE3 - NEMA Premium			Double Drilled	NO
Load Data	RPM	Trq %FL	Current Amps	Rated Ambient (°C)	40
Locked Rotor	-	288	700.9	Rated Altitude (M)	1000
Breakdown	-	286	-	Coating	7024 - Graphite Grey
Pull Up	-	150	-	Start Capacitor (µF / V / Qty)	--
125% of FL	3552	-	100.74	Run Capacitor (µF / V / Qty)	--
75% of FL	3573	-	61.34	Centrifugal Switch Type	--
50% of FL	3582	-	43.83	Mechanical Data	
No Load	3596	-	20.15	Bearing DE Side	6313 C3
Hazardous Location	Class 1, Div 2, Grp A,B,C,D			Bearing NDE Side	6313 C3
				Moment of Inertia	-- kg.m2
				Noise Level	Per NEMA dB (A)

CT VFD Range	--	Loaded Torque Curves	--
P1 = INPUT POWER (KW), S = Slip (% of Sync RPM), η = Efficiency (%), cosφ = Power Factor			

Certifications	UL	CSA	DOE
File Numbers	323353	224693	096A
Wiring Diagram	3PH 12 Lead Dual Voltage		





 ShangHai HIMAK Electrical Machinery CO.,LTD		NEMA TEFC 365T JP	
		NO:	1HMY.010.JP008 CFC
Design	Standards	STEP MARK	1:5 SORT Cast iron Motor
Checker	Allow		
Auditing	Date		