



Model Number GR3-CI-TF-364TC-6-BR-D-40-230|460-60

MFG PN TFC364T40U6B

List Price --

All data shown at HIGH voltage setting

Format STD 3 Phase

Electrical Data		General Data	
Rated Motor Output Power	40 HP	Frame Size	364
Rated Motor Speed	1185 r/min	Enclosure	TEFC
Rated Motor Voltage (3 Phase)	230 460-60 Volts - HZ	Approximate Weight	679.8
Rated Motor Current	92.6/46.3 Amps	NEMA Design	A
Service Factor	1.15	IP Rating	55
KVA Code	K	Insulation Class	F
Nominal Efficiency	94.1 %	Tropicalization	YES
Nominal Power Factor	0.86 cosθ	Duty	Cont.
Full Load Torque Ft-Lb	179.096656 Ft-Lb	Cable Entry	1.25
Temp Rise @ Full Load °C	53.2	Feet Removable	YES
Efficiency Level	IE3 - NEMA Premium	Double Drilled	NO

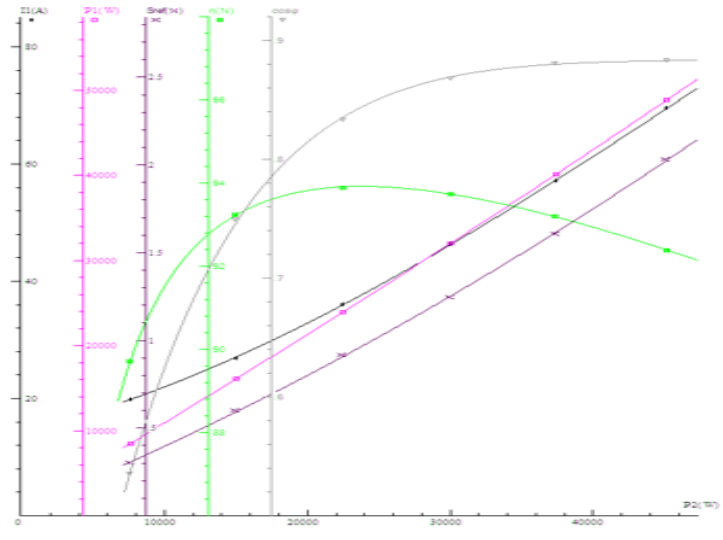
Load Data	RPM	Trq %FL	Current Amps	Mechanical Data	
Locked Rotor	-	275	408.3	Bearing DE Side	6313 C3
Breakdown	-	295	-	Bearing NDE Side	6313 C3
Pull Up	-	195	-	Moment of Inertia	kg.m2
125% of FL	1180	-	57.39	Noise Level	Per NEMA dB (A)
75% of FL	1189	-	36		
50% of FL	1193	-	27		
No Load					

Hazardous Location	Class 1, Div 2, Grp A,B,C,D		Rated Ambient (°C)	40
--------------------	-----------------------------	--	--------------------	----

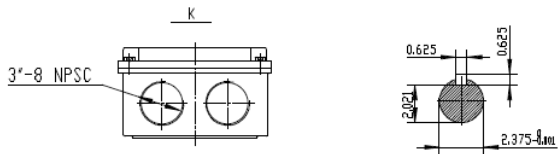
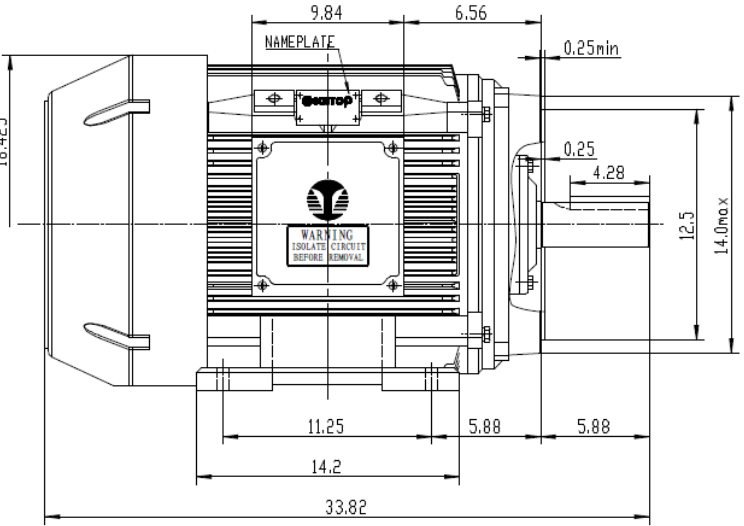
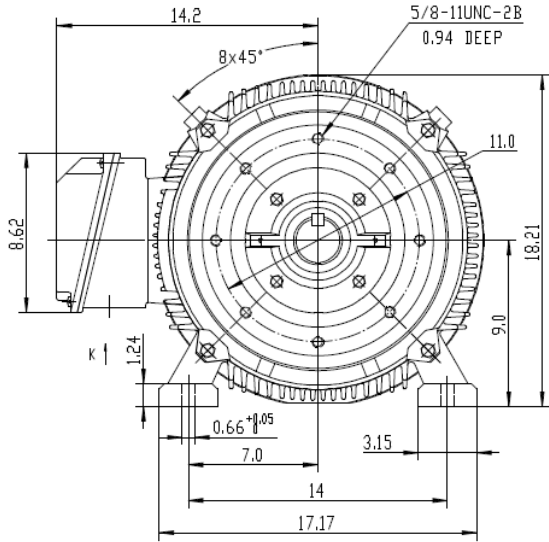
CT VFD Range	--	Loaded Torque Curves	--
--------------	----	----------------------	----


P1 = INPUT POWER (KW), S = Slip (% of Sync RPM), η = Efficiency (%), cosφ = Power Factor

Certifications	UL	CSA	DOE
File Numbers	323353	224693	096A
Wiring Diagram	3PH 12 Lead Dual Voltage		



Model Number	GR3-CI-TF-364TC-6-BR-D-40-230 460-60
MFG PN	TFC364T40U6B
List Price	--
Base Frame	GR-364TC-CI-TF



 ShangHai HIMAX Electrical Machinery CO.,LTD		NEMA TEFC 364TC CFC	
		NO:	1HMY.010.027
Design	Standard	STEP MARK	1:5 SORT Cast iron Motor
Checker	Allow		
Auditing	Date		