



Model Number GR3-CI-TF-364JP-4-BR-D-60-230|460-60

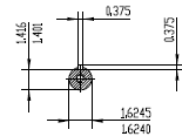
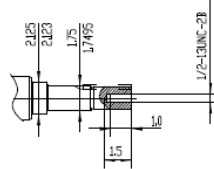
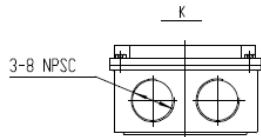
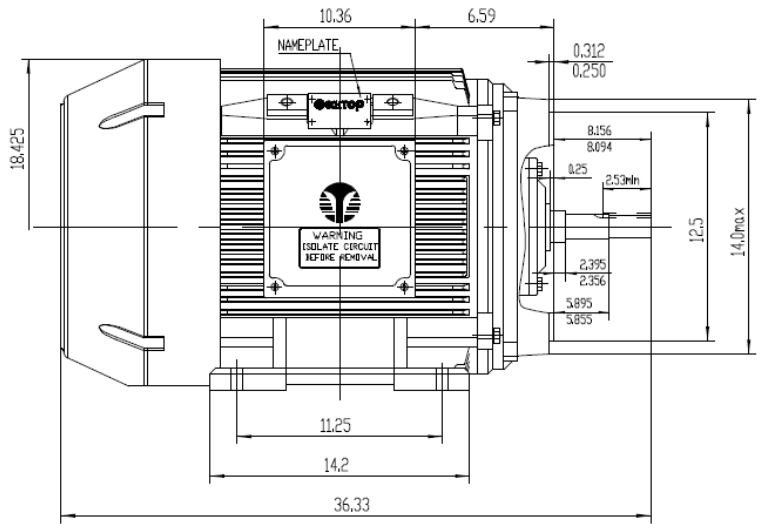
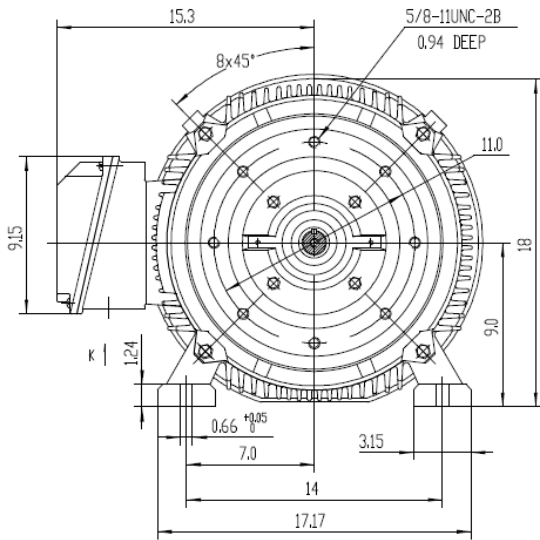
MFG PN T364T60U4B


List Price --

All data shown at HIGH voltage setting

Format STD 3 Phase

Electrical Data				General Data	
Rated Motor Output Power	60 HP			Frame Size	364
Rated Motor Speed	1780 r/min			Enclosure	TEFC
Rated Motor Voltage (3 Phase)	230 460-60 Volts - HZ			Approximate Weight	731.5
Rated Motor Current	136/68 Amps			NEMA Design	A
Service Factor	1.15			IP Rating	55
KVA Code	K			Insulation Class	F
Nominal Efficiency	95 %			Tropicalization	YES
Nominal Power Factor	0.87 cosθ			Duty	Cont.
Full Load Torque Ft-Lb	177.24528 Ft-Lb			Cable Entry	1.25
Temp Rise @ Full Load °C	54.9			Feet Removable	YES
Efficiency Level	IE3 - NEMA Premium			Double Drilled	NO
Load Data	RPM	Trq %FL	Current Amps	Rated Ambient (°C)	40
Locked Rotor	-	306	665	Rated Altitude (M)	1000
Breakdown	-	339	-	Coating	7024 - Graphite Grey
Pull Up	-	208	-	Shaft Grounding	NO
125% of FL	1779	-	83.89	Brake Voltage (DC)	--
75% of FL	1788	-	52.43	Brake Torque (N-M)	--
50% of FL	1792	-	38.97	Mechanical Data	
No Load	--	-	22.39	Bearing DE Side	6313 C3
Hazardous Location	Class 1, Div 2, Grp A,B,C,D			Bearing NDE Side	6313 C3
				Moment of Inertia	-- kg.m2
				Noise Level	Per NEMA dB (A)
CT VFD Range		--		Loaded Torque Curves	
				P1 = INPUT POWER (KW), S = Slip (% of Sync RPM), η = Efficiency (%), cosφ = Power Factor	
Certifications	UL	CSA	DOE		
File Numbers	323353	224693	096A		
Wiring Diagram	3PH 12 Lead Dual Voltage				



 Shanghai HIMAK Electrical Machinery CO.,LTD		NEMA TEFC 364T JP	
		NO:	1HMY.010.JP007 CFC
Design	Standard	STEP MARK	1:5 SORT Cast iron Motor
Checker	Allow		
Auditing	Date		