



Model Number GR3-CI-TF-364JM-2-BR-D-60-230|460-60

MFG PN T364TS60U2B

List Price --

All data shown at HIGH voltage setting

Format STD 1 Phase

Electrical Data		General Data	
Rated Motor Output Power	60 HP	Frame Size	364
Rated Motor Speed	3560 r/min	Enclosure	TEFC
Rated Motor Voltage (1 Phase)	230 460-60 Volts - HZ	Approximate Weight	815
Rated Motor Current	136.4/68.2 Amps	NEMA Design	A
Service Factor	1.15	IP Rating	55
KVA Code	L	Insulation Class	F
Nominal Efficiency	93.6 %	Tropicalization	YES
Nominal Power Factor	88 cosθ	Duty	Cont.
Full Load Torque Ft-Lb	88.512 Ft-Lb	Cable Entry	1.25
Temp Rise @ Full Load °C	56.4	Feet Removable	YES
Efficiency Level	IE3 - NEMA Premium	Double Drilled	NO

Load Data	RPM	Trq %FL	Current Amps	Rated Ambient (°C)	40
Locked Rotor	-	292	628	Rated Altitude (M)	1000
Breakdown	-	325	-	Coating	7024 - Graphite Grey
Pull Up	-	192	-	Start Capacitor (µF / V / Qty)	--
125% of FL	3561	-	83.1	Run Capacitor (µF / V / Qty)	--
75% of FL	3578	-	51.6	Centrifugal Switch Type	--
50% of FL	3585	-	37.57	Mechanical Data	
No Load	3595	-	19.58	Bearing DE Side	6313 C3

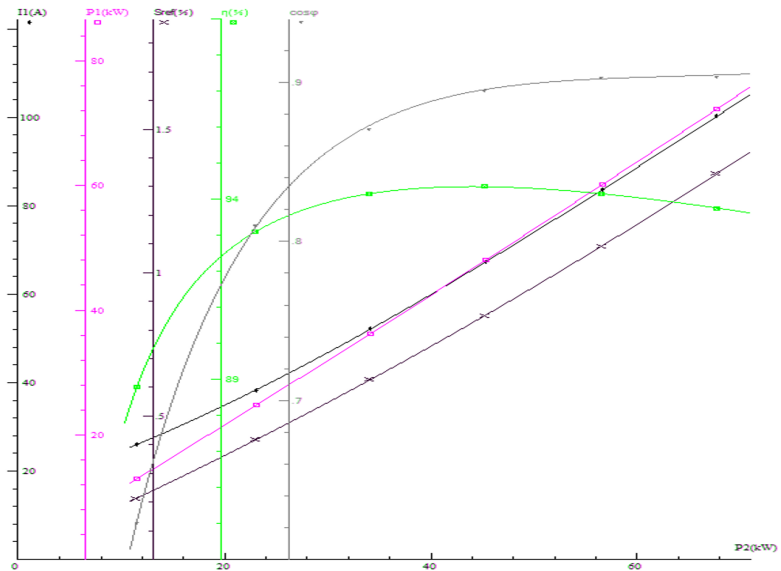
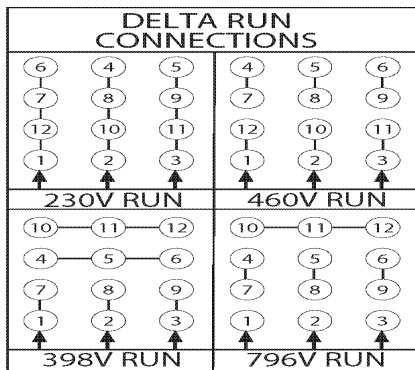
Hazardous Location	Class 1, Div 2, Grp A,B,C,D	Bearing NDE Side	6313 C3
		Moment of Inertia	-- kg.m2
		Noise Level	Per NEMA dB (A)
		Loaded Torque Curves	

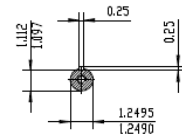
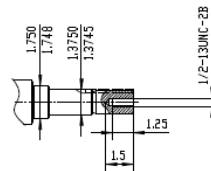
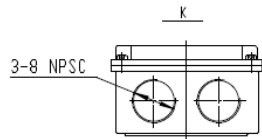
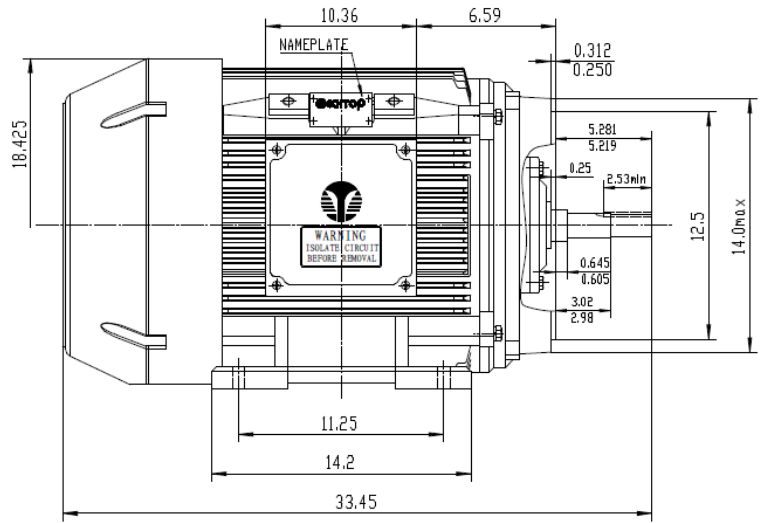
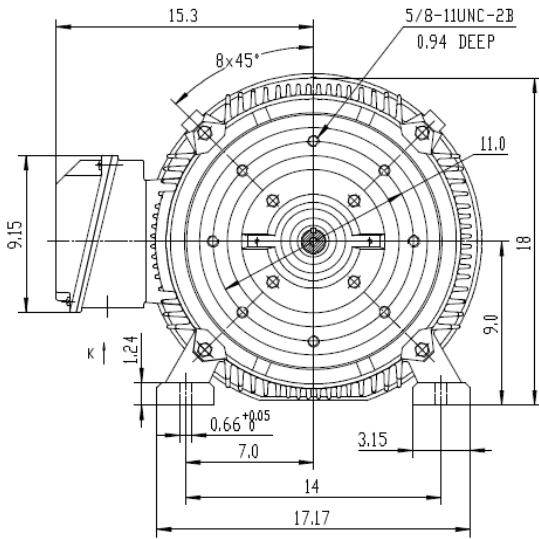
CT VFD Range


--

P1 = INPUT POWER (KW), S = Slip (% of Sync RPM), η = Efficiency (%), cosφ = Power Factor

Certifications	UL	CSA	DOE
File Numbers	323353	224693	096A
Wiring Diagram	3PH 12 Lead Dual Voltage		





 ShangHai HIMAK Electrical Machinery CO.,LTD		NEMA TEFC 364T JM	
		NO:	1HMY.010.JM013 CFC
Design	Standard	STEP MARK	1:5 SORT Cast Iron Motor
Checker	Allow		
Auditing	Date		