



<b>Model Number</b>	GR3-CI-TF-326TSC-2-BR-D-50-230 460-60
<b>MFG PN</b>	TFC326TS50U2B
<b>List Price</b>	--

All data shown at HIGH voltage setting

Format | STD 3 Phase

Electrical Data		General Data	
Rated Motor Output Power	50 HP	Frame Size	326
Rated Motor Speed	3560 r/min	Enclosure	TEFC
Rated Motor Voltage (3 Phase)	230 460-60 Volts - HZ	Approximate Weight	527
Rated Motor Current	111.8/55.9 Amps	NEMA Design	A
Service Factor	1.25	IP Rating	55
KVA Code	J	Insulation Class	F
Nominal Efficiency	93 %	Tropicalization	YES
Nominal Power Factor	0.9 cosθ	Duty	Cont.
Full Load Torque Ft-Lb	74.1288 Ft-Lb	Cable Entry	1.25
Temp Rise @ Full Load °C	63.3	Feet Removable	YES
Efficiency Level	IE3 - NEMA Premium	Double Drilled	NO

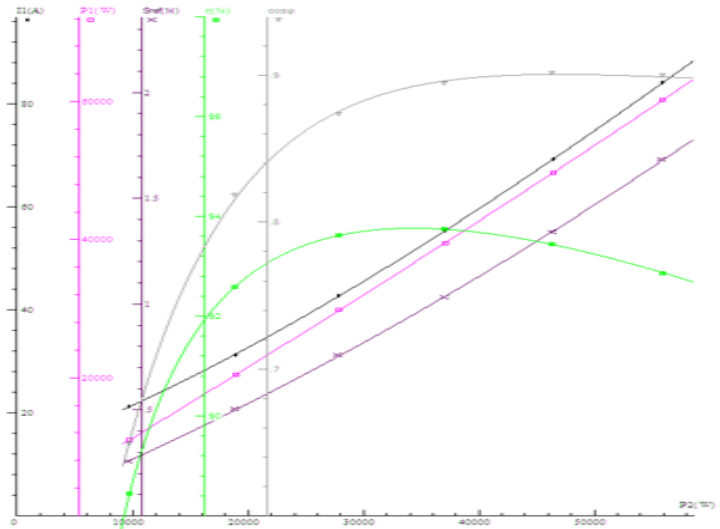
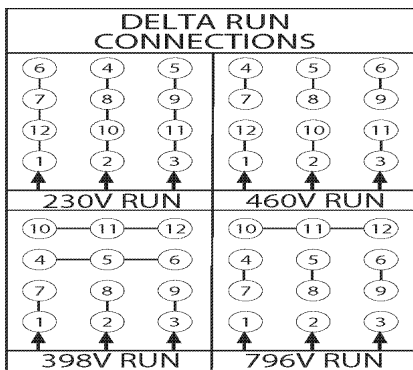
Load Data	RPM	Trq %FL	Current Amps	Mechanical Data	
Locked Rotor	-	306	467.4	Bearing DE Side	6312 C3
Breakdown	-	304	-	Bearing NDE Side	6312 C3
Pull Up	-	173	-	Moment of Inertia	kg.m2
125% of FL	3551	-	69.5	Noise Level	Per NEMA dB (A)
75% of FL	3573	-	42.81		
50% of FL	3582	-	31		
No Load		-	15.79		

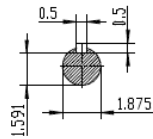
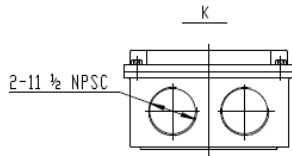
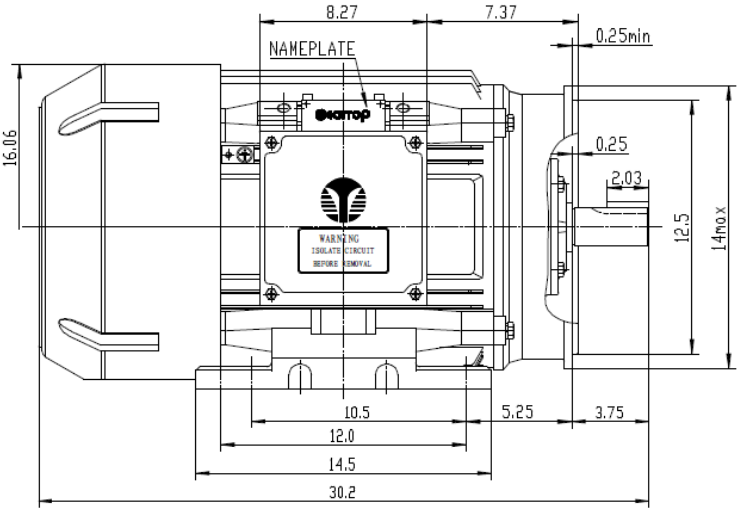
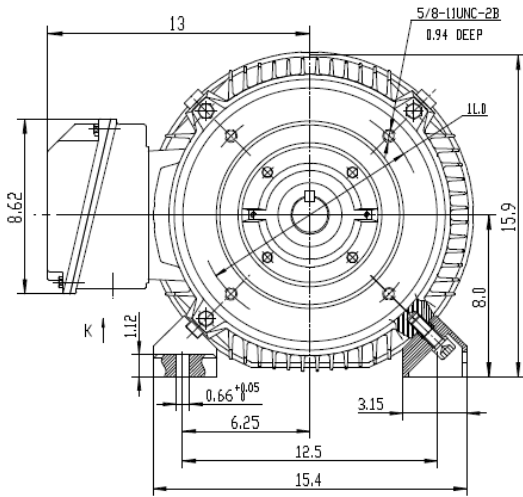
Hazardous Location	Class 1, Div 2, Grp A,B,C,D		Rated Ambient (°C)	40
--------------------	-----------------------------	--	--------------------	----

CT VFD Range	--	Loaded Torque Curves		--
P1 = INPUT POWER (KW), S = Slip (% of Sync RPM), η = Efficiency (%), cosφ = Power Factor				

Certifications	UL	CSA	DOE
File Numbers	323353	224693	096A

Wiring Diagram 3PH 12 Lead Dual Voltage





<b>TECHTOP</b> Shanghai HIMAK Electrical Machinery CO.,LTD		NEMA TEFC 326TSC CFC	
Design	Standard	NO:	1HMY.010.C022
Checker	Allow	STEP MARK	1:4.5 SORT Cast iron Motor
Auditing	Date		