



Model Number GR3-CI-TF-326JP-4-BR-D-50-230|460-60

MFG PN TFC326T50U4B

List Price --

All data shown at HIGH voltage setting

Format STD 3 Phase

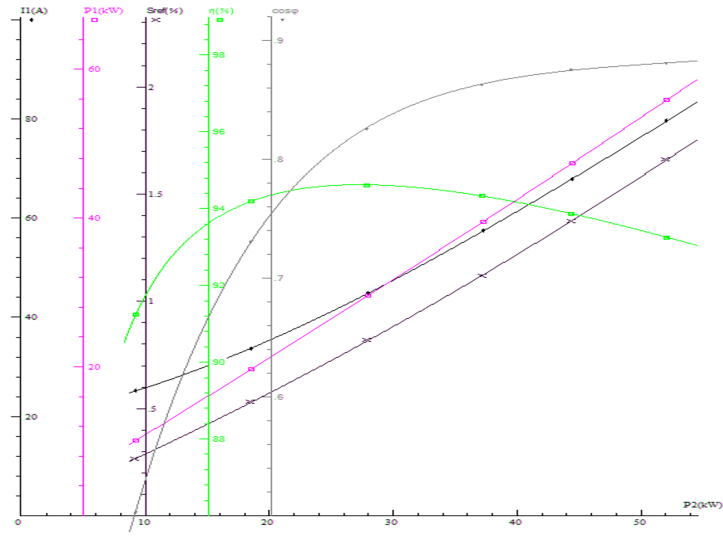
Electrical Data		General Data	
Rated Motor Output Power	50 HP	Frame Size	326
Rated Motor Speed	1780 r/min	Enclosure	TEFC
Rated Motor Voltage (3 Phase)	230 460-60 Volts - HZ	Approximate Weight	576.4
Rated Motor Current	115.2/57.6 Amps	NEMA Design	A
Service Factor	1.25	IP Rating	55
KVA Code	J	Insulation Class	F
Nominal Efficiency	94.5 %	Tropicalization	YES
Nominal Power Factor	0.86 cosθ	Duty	Cont.
Full Load Torque Ft-Lb	148.70016 Ft-Lb	Cable Entry	1.25
Temp Rise @ Full Load °C	61.1	Feet Removable	YES
Efficiency Level	IE3 - NEMA Premium	Double Drilled	NO

Load Data	RPM	Trq %FL	Current Amps	Mechanical Data	
Locked Rotor	-	301	498	Rated Ambient (°C)	40
Breakdown	-	286	-	Rated Altitude (M)	1000
Pull Up	-	203	-	Coating	7024 - Graphite Grey
125% of FL	1776	-	65.61	Shaft Grounding	NO
75% of FL	1785	-	44.85	Brake Voltage (DC)	--
50% of FL	1790	-	34	Brake Torque (N-M)	--
No Load	1794	-	22		

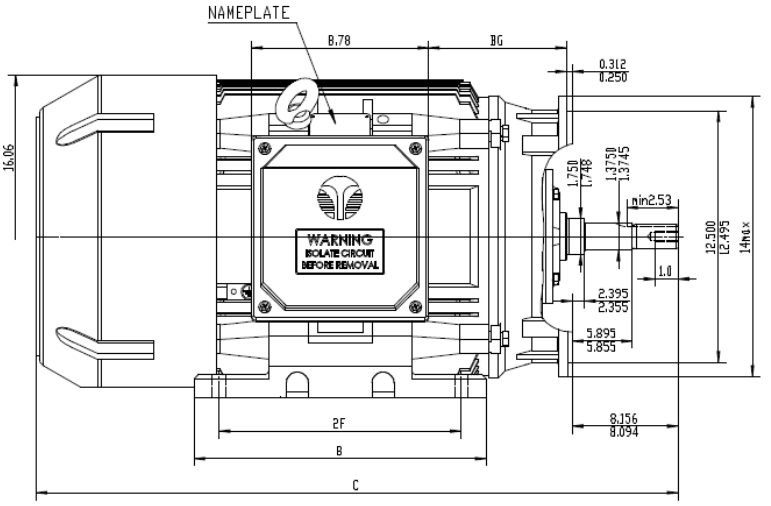
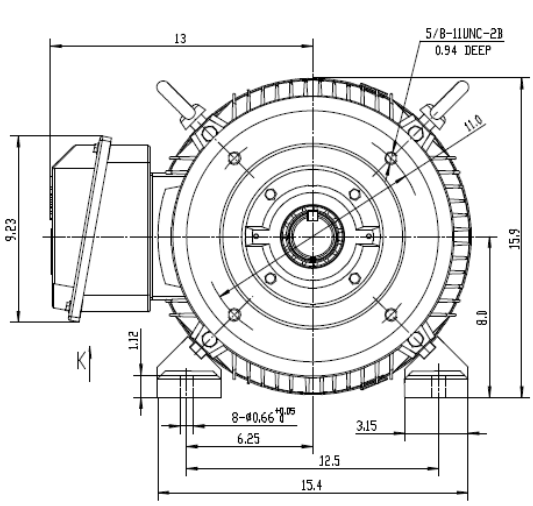
Hazardous Location	Class 1, Div 2, Grp A,B,C,D			Bearing DE Side	6312 C3
				Bearing NDE Side	6312 C3
				Moment of Inertia	-- kg.m2
				Noise Level	Per NEMA dB (A)

CT VFD Range	--	Loaded Torque Curves	
$P1 = \text{INPUT POWER (KW)}$, $S = \text{Slip (\% of Sync RPM)}$, $\eta = \text{Efficiency (\%)}$, $\cos\phi = \text{Power Factor}$			

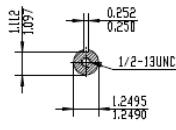
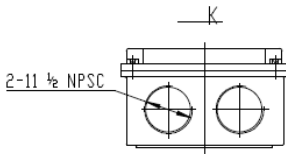
Certifications	UL	CSA	DOE
File Numbers	323353	224693	096A
Wiring Diagram	3PH 12 Lead Dual Voltage		




Model Number	GR3-CI-TF-326JP-4-BR-D-50-230 460-60
MFG PN	TFC326T50U4B
List Price	--
Base Frame	GR-326JP-CI-TF



Model	2F	B	BG	C
324T	10.5	13	6.11	33.01
326T	10.5/12	14.5	6.88	34.61



 ShangHai HIMAK Electrical Machinery CO.,LTD		NEMA TEFC 320T JP	
		NO:	1HMY.010.JP006 CFC
Design	Standard	STEP MARK	1:4.5 SORT Cast Iron Motor
Checker	Allow	S	
Auditing	Date		