



Model Number	GR3-CI-TF-326JP-2-BR-D-50-230 460-60
MFG PN	T326TS50U2B
List Price	--

All data shown at HIGH voltage setting

Format | STD 1 Phase

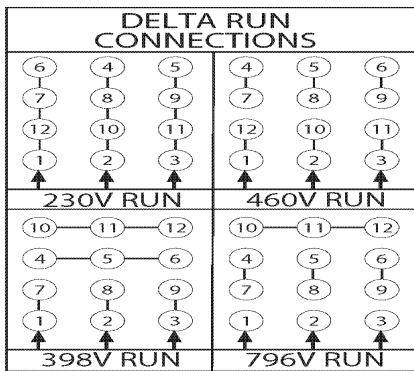
Electrical Data				General Data	
Rated Motor Output Power	50 HP			Frame Size	326
Rated Motor Speed	3560 r/min			Enclosure	TEFC
Rated Motor Voltage (1 Phase)	230 460-60 Volts - HZ			Approximate Weight	587.4
Rated Motor Current	113.12/56.56 Amps			NEMA Design	A
Service Factor	1.25			IP Rating	55
KVA Code	H			Insulation Class	F
Nominal Efficiency	93 %			Tropicalization	YES
Nominal Power Factor	89 cosθ			Duty	Cont.
Full Load Torque Ft-Lb	74.1288 Ft-Lb			Cable Entry	1.25
Temp Rise @ Full Load °C	63.3			Feet Removable	YES
Efficiency Level	IE3 - NEMA Premium			Double Drilled	NO
Load Data	RPM	Trq %FL	Current Amps	Rated Ambient (°C)	40
Locked Rotor	-	306	467.4	Rated Altitude (M)	1000
Breakdown	-	304	-	Coating	7024 - Graphite Grey
Pull Up	-	173	-	Start Capacitor (µF / V / Qty)	--
125% of FL	3551	-	69.5	Run Capacitor (µF / V / Qty)	--
75% of FL	3573	-	42.81	Centrifugal Switch Type	--
50% of FL	3582	-	31	Mechanical Data	
No Load	--	-	15.79	Bearing DE Side	6312 C3
Hazardous Location	Class 1, Div 2, Grp A,B,C,D			Bearing NDE Side	6312 C3
				Moment of Inertia	-- kg.m2
				Noise Level	Per NEMA dB (A)

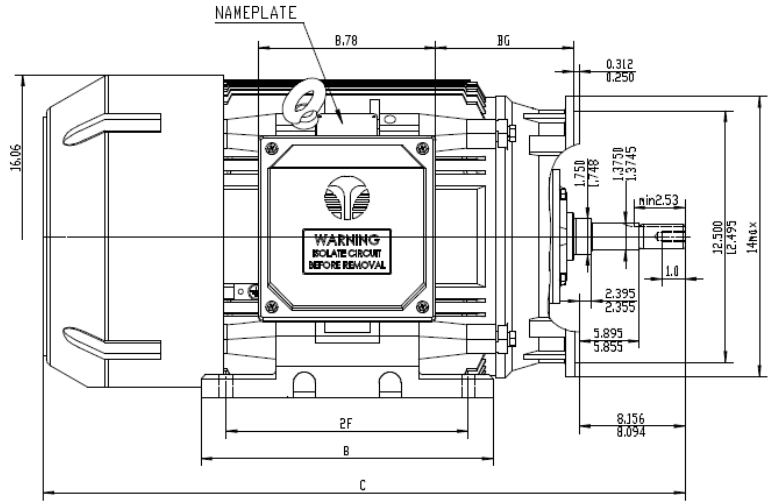
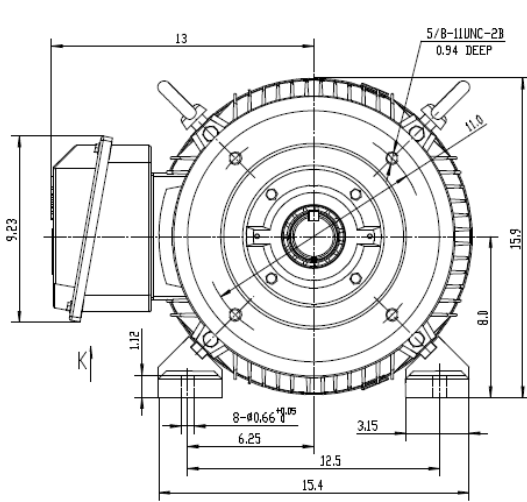
Loaded Torque Curves

P1 = INPUT POWER (KW), S = Slip (% of Sync RPM), η = Efficiency (%), cosφ = Power Factor

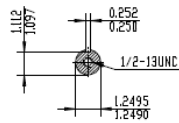
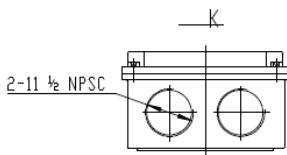
Certifications	UL	CSA	DOE
File Numbers	323353	224693	096A

Wiring Diagram 3PH 12 Lead Dual Voltage





Model	2F	B	BG	C
324T	10.5	13	6.11	33.01
326T	10.5/12	14.5	6.88	34.61



TECHTOP ShangHai HIMAK Electrical Machinery CO.,LTD		NEMA TEFC 320T JP	
Design	Standard	NO:	1HMY.010.JP006 CFC
Checker	Allow	STEP MARK	1:4.5 SORT Cast Iron Motor
Auditing	Date	S	