



Model Number GR3-CI-TF-324TC-6-BR-D-25-230|460-60

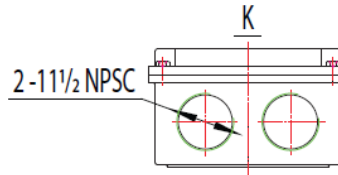
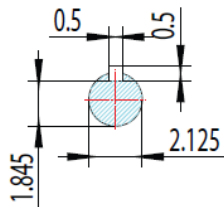
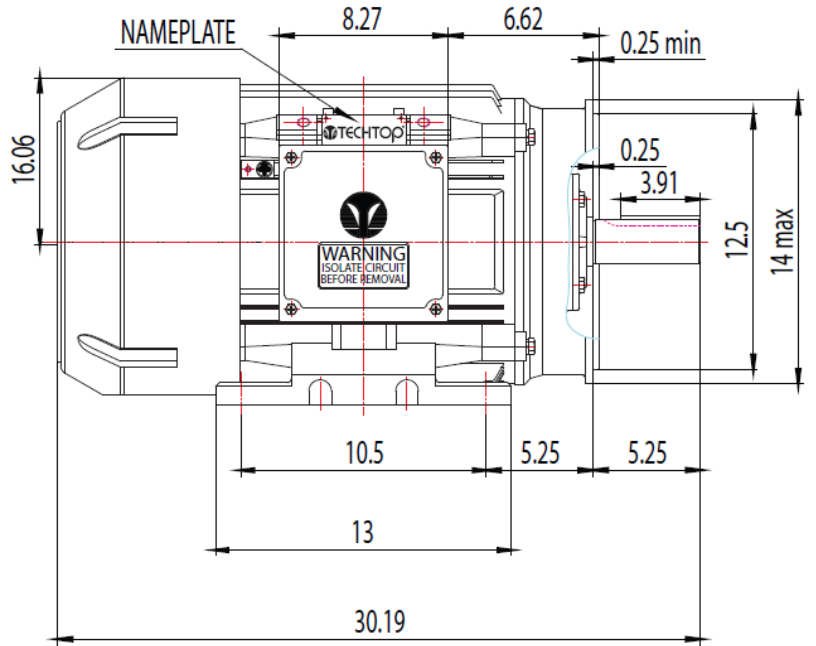
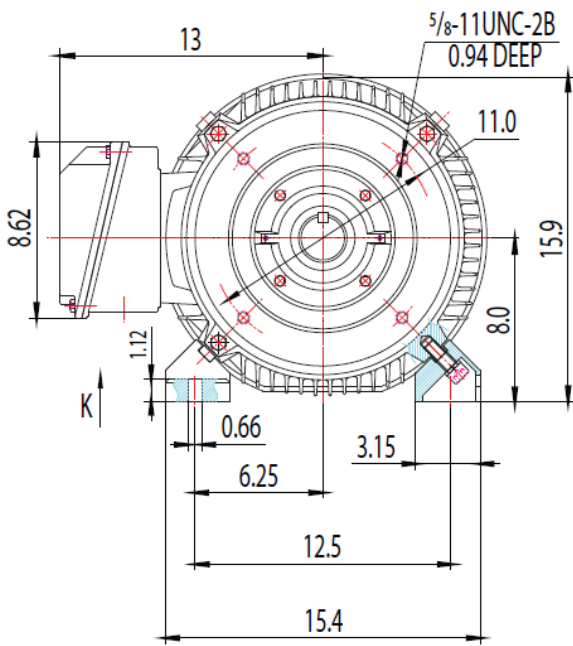
MFG PN TFC324T25U6B

List Price --

All data shown at HIGH voltage setting

Format STD 3 Phase

Electrical Data				General Data																																																																									
Rated Motor Output Power	25 HP			Frame Size	324																																																																								
Rated Motor Speed	1180 r/min			Enclosure	TEFC																																																																								
Rated Motor Voltage (3 Phase)	230 460-60 Volts - HZ			Approximate Weight	499.4																																																																								
Rated Motor Current	62.2/31.1 Amps			NEMA Design	A																																																																								
Service Factor	1.25			IP Rating	55																																																																								
KVA Code	K			Insulation Class	F																																																																								
Nominal Efficiency	93 %			Tropicalization	YES																																																																								
Nominal Power Factor	0.81 cosθ			Duty	Cont.																																																																								
Full Load Torque Ft-Lb	111.3776 Ft-Lb			Cable Entry	1.25																																																																								
Temp Rise @ Full Load °C	57.8			Feet Removable	YES																																																																								
Efficiency Level	IE3 - NEMA Premium			Double Drilled	NO																																																																								
Load Data	RPM	Trq %FL	Current Amps	Rated Ambient (°C)	40																																																																								
Locked Rotor	-	241	266	Rated Altitude (M)	1000																																																																								
Breakdown	-	294	-	Coating	7024 - Graphite Grey																																																																								
Pull Up	-	435	-	Shaft Grounding	NO																																																																								
125% of FL	1177	-	37	Brake Voltage (DC)																																																																									
75% of FL	1187	-	23.48	Brake Torque (N-M)																																																																									
50% of FL	1192	-	17.96	Mechanical Data																																																																									
No Load		-	11.86	Bearing DE Side	6312 C3																																																																								
Hazardous Location	Class 1, Div 2, Grp A,B,C,D			Bearing NDE Side	6312 C3																																																																								
				Moment of Inertia	kg.m2																																																																								
				Noise Level	Per NEMA dB (A)																																																																								
CT VFD Range		--		Loaded Torque Curves																																																																									
				P1 = INPUT POWER (KW), S = Slip (% of Sync RPM), η = Efficiency (%), cosφ = Power Factor																																																																									
Certifications	UL	CSA	DOE																																																																										
File Numbers	323353	224693	096A																																																																										
Wiring Diagram	3PH 12 Lead Dual Voltage																																																																												
<div style="display: flex; justify-content: space-around;"> <div style="border: 1px solid black; padding: 5px;"> <p style="text-align: center;">DELTA RUN CONNECTIONS</p> <table border="1" style="width: 100%; text-align: center;"> <tr> <td>6</td><td>4</td><td>5</td><td>4</td><td>5</td><td>6</td> </tr> <tr> <td>7</td><td>8</td><td>9</td><td>7</td><td>8</td><td>9</td> </tr> <tr> <td>12</td><td>10</td><td>11</td><td>12</td><td>10</td><td>11</td> </tr> <tr> <td>1</td><td>2</td><td>3</td><td>1</td><td>2</td><td>3</td> </tr> <tr> <td colspan="3">↑</td><td colspan="3">↑</td> </tr> <tr> <td colspan="3">230V RUN</td><td colspan="3">460V RUN</td> </tr> <tr> <td>10</td><td>11</td><td>12</td><td>10</td><td>11</td><td>12</td> </tr> <tr> <td>4</td><td>5</td><td>6</td><td>4</td><td>5</td><td>6</td> </tr> <tr> <td>7</td><td>8</td><td>9</td><td>7</td><td>8</td><td>9</td> </tr> <tr> <td>1</td><td>2</td><td>3</td><td>1</td><td>2</td><td>3</td> </tr> <tr> <td colspan="3">↑</td><td colspan="3">↑</td> </tr> <tr> <td colspan="3">398V RUN</td><td colspan="3">796V RUN</td> </tr> </table> </div> </div>						6	4	5	4	5	6	7	8	9	7	8	9	12	10	11	12	10	11	1	2	3	1	2	3	↑			↑			230V RUN			460V RUN			10	11	12	10	11	12	4	5	6	4	5	6	7	8	9	7	8	9	1	2	3	1	2	3	↑			↑			398V RUN			796V RUN		
6	4	5	4	5	6																																																																								
7	8	9	7	8	9																																																																								
12	10	11	12	10	11																																																																								
1	2	3	1	2	3																																																																								
↑			↑																																																																										
230V RUN			460V RUN																																																																										
10	11	12	10	11	12																																																																								
4	5	6	4	5	6																																																																								
7	8	9	7	8	9																																																																								
1	2	3	1	2	3																																																																								
↑			↑																																																																										
398V RUN			796V RUN																																																																										



MODEL NUMBER:
GR3-CI-TF-324TC
MFG PN:

REV.	BY	DATE
1		
2		
3		
4		
5		
6		
7		

CHANGES

MATERIAL:
UNITS: INCH BY: SSEE
DRAWN: 10/1/2018
WWW.TECHTOP.COM