



Model Number GR3-CI-TF-324JP-4-BR-D-40-230|460-60

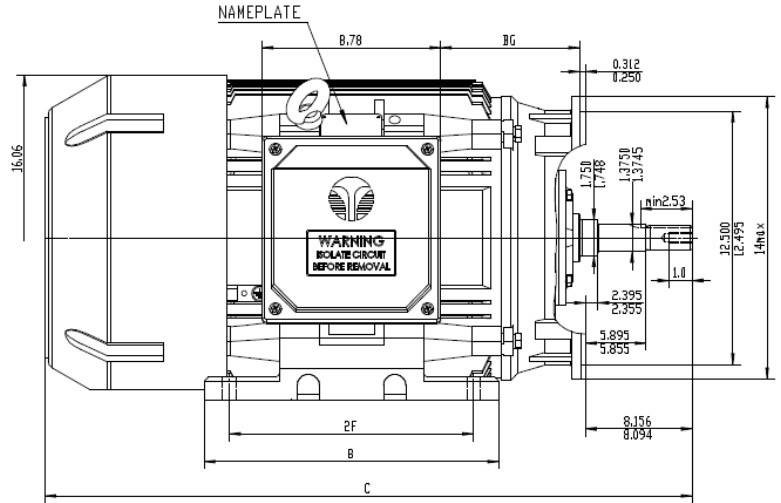
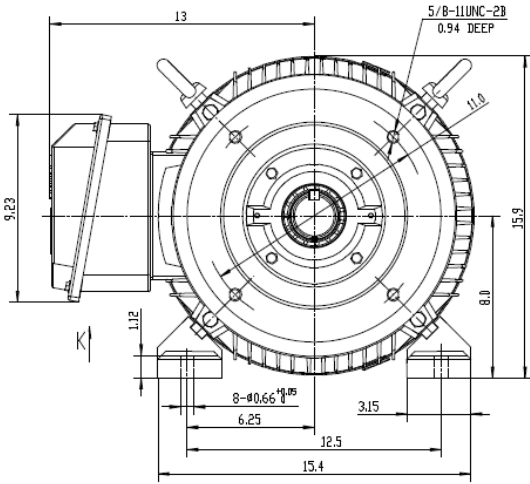
MFG PN T324T40U4B

List Price --

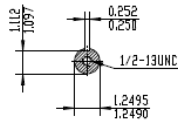
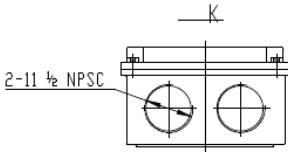
All data shown at HIGH voltage setting


Format STD 3 Phase

Electrical Data				General Data	
Rated Motor Output Power	40 HP			Frame Size	324
Rated Motor Speed	1780 r/min			Enclosure	TEFC
Rated Motor Voltage (3 Phase)	230 460-60 Volts - HZ			Approximate Weight	538
Rated Motor Current	93.6/46.8 Amps			NEMA Design	A
Service Factor	1.25			IP Rating	55
KVA Code	H			Insulation Class	F
Nominal Efficiency	94.1 %			Tropicalization	YES
Nominal Power Factor	0.85 cosθ			Duty	Cont.
Full Load Torque Ft-Lb	119.4912 Ft-Lb			Cable Entry	1.25
Temp Rise @ Full Load °C	57.7			Feet Removable	YES
Efficiency Level	IE3 - NEMA Premium			Double Drilled	NO
Load Data	RPM	Trq %FL	Current Amps	Rated Ambient (°C)	40
Locked Rotor	-	289	407.3	Rated Altitude (M)	1000
Breakdown	-	236	-	Coating	7024 - Graphite Grey
Pull Up	-	217	-	Shaft Grounding	NO
125% of FL	1775	-	57.82	Brake Voltage (DC)	--
75% of FL	1786	-	36.66	Brake Torque (N-M)	--
50% of FL	1791	-	27.89	Mechanical Data	
No Load	1797	-	18.14	Bearing DE Side	6312 C3
Hazardous Location	Class 1, Div 2, Grp A,B,C,D			Bearing NDE Side	6312 C3
				Moment of Inertia	-- kg.m2
				Noise Level	Per NEMA dB (A)
CT VFD Range		--		Loaded Torque Curves	
				P1 = INPUT POWER (KW), S = Slip (% of Sync RPM), η = Efficiency (%), cosφ = Power Factor	
Certifications	UL	CSA	DOE		
File Numbers	323353	224693	096A		
Wiring Diagram	3PH 12 Lead Dual Voltage				



Model	2F	B	BG	C
324T	10.5	13	6.11	33.01
326T	10.5/12	14.5	6.88	34.61



 Shanghai HIMAK Electrical Machinery CO., LTD		NEMA TEFC 320T JP	
		NO:	1HMY.010.JP006 CFC
Design	Standard	STEP MARK	1:4.5 SORT Cast iron Motor
Checker	Allow	S	
Auditing	Date		