



Model Number GR3-CI-TF-324JM-2-BR-D-40-230|460-60

MFG PN T324TS40U2B

List Price --

All data shown at HIGH voltage setting

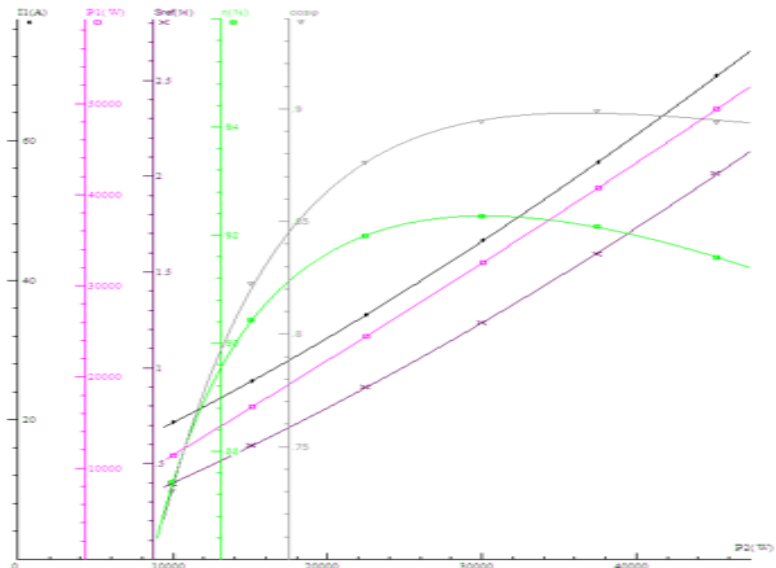
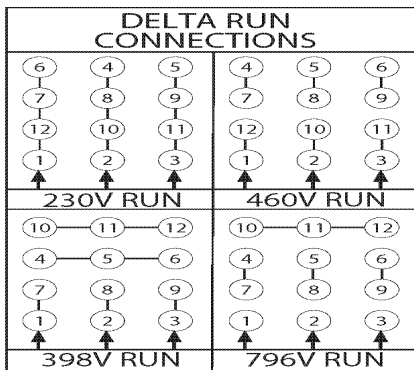
Format STD 1 Phase

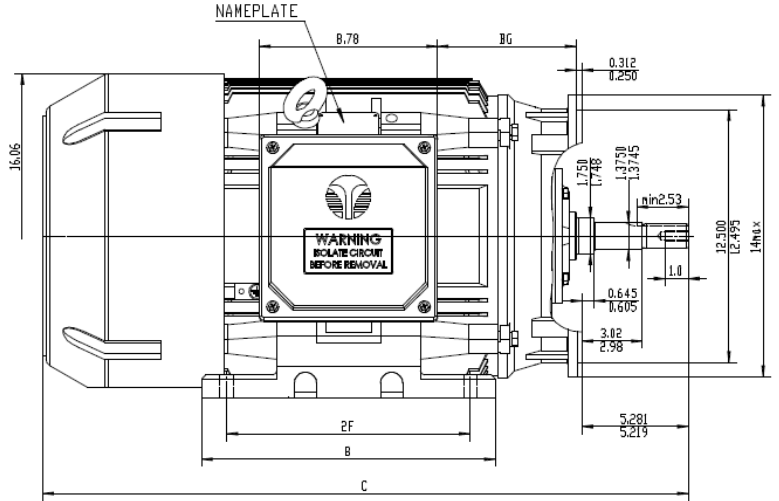
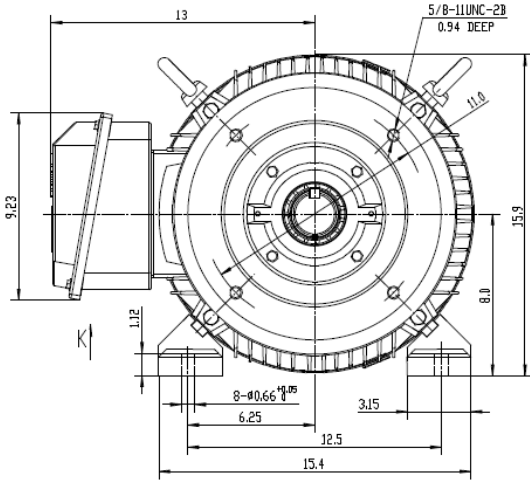
Electrical Data				General Data	
Rated Motor Output Power	40 HP			Frame Size	324
Rated Motor Speed	3560 r/min			Enclosure	TEFC
Rated Motor Voltage (1 Phase)	230 460-60 Volts - HZ			Approximate Weight	532.4
Rated Motor Current	90.08/45.04 Amps			NEMA Design	A
Service Factor	1.25			IP Rating	55
KVA Code	H			Insulation Class	F
Nominal Efficiency	92.4 %			Tropicalization	YES
Nominal Power Factor	90 cosθ			Duty	Cont.
Full Load Torque Ft-Lb	59.67184 Ft-Lb			Cable Entry	1.25
Temp Rise @ Full Load °C	65.8			Feet Removable	YES
Efficiency Level	IE3 - NEMA Premium			Double Drilled	NO
Load Data	RPM	Trq %FL	Current Amps	Rated Ambient (°C)	40
Locked Rotor	-	235	344.4	Rated Altitude (M)	1000
Breakdown	-	289	-	Coating	7024 - Graphite Grey
Pull Up	-	--	-	Start Capacitor (µF / V / Qty)	--
125% of FL	3542	-	56.87	Run Capacitor (µF / V / Qty)	--
75% of FL	3568	-	35	Centrifugal Switch Type	--
50% of FL	3579	-	25.43	Mechanical Data	
No Load	--	-	12.48	Bearing DE Side	6312 C3
Hazardous Location	Class 1, Div 2, Grp A,B,C,D			Bearing NDE Side	6312 C3
				Moment of Inertia	-- kg.m2
				Noise Level	Per NEMA dB (A)

Loaded Torque Curves

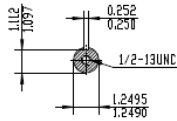
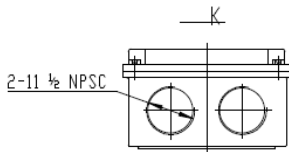
P1 = INPUT POWER (KW), S = Slip (% of Sync RPM), η = Efficiency (%), cosφ = Power Factor


Certifications	UL	CSA	DOE
File Numbers	323353	224693	096A
Wiring Diagram	3PH 12 Lead Dual Voltage		





Model	2F	B	BG	C
324T	10.5	13	6.11	30.13
326T	10.5/12	14.5	6.88	31.73



 Shanghai HIMAK Electrical Machinery CO.,LTD		NEMA TEFC 320T JM	
		NO:	1HMY.010.JM006 CFC
Design	Standard	STEP MARK	1:4.5 SORT
Checker	Allow	S	Cast Iron Motor
Auditing	Date		