



Model Number	GR3-CI-TF-286TSC-2-BR-D-30-230 460-60
MFG PN	TFC286TS30U2B
List Price	--

All data shown at HIGH voltage setting

Format | STD 3 Phase

Electrical Data		General Data	
Rated Motor Output Power	30 HP	Frame Size	286
Rated Motor Speed	3550 r/min	Enclosure	TEFC
Rated Motor Voltage (3 Phase)	230 460-60 Volts - HZ	Approximate Weight	347.16
Rated Motor Current	68/34 Amps	NEMA Design	A
Service Factor	1.25	IP Rating	55
KVA Code	J	Insulation Class	F
Nominal Efficiency	91.7 %	Tropicalization	YES
Nominal Power Factor	0.9 cosθ	Duty	Cont.
Full Load Torque Ft-Lb	43.5184 Ft-Lb	Cable Entry	1.25
Temp Rise @ Full Load °C	67.5	Feet Removable	YES
Efficiency Level	IE3 - NEMA Premium	Double Drilled	NO

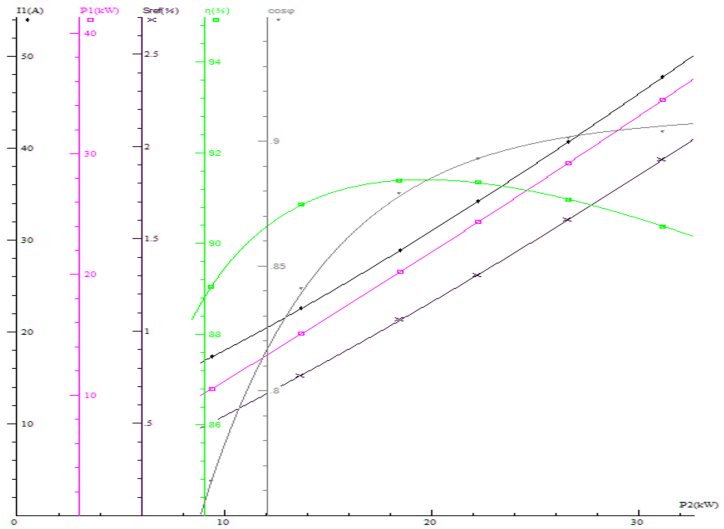
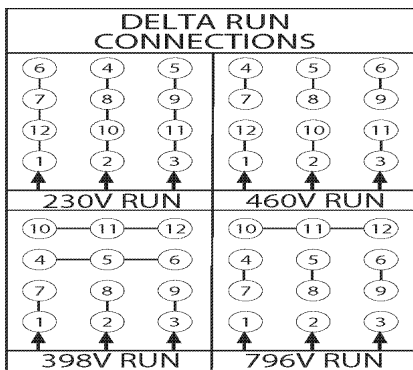
Load Data	RPM	Trq %FL	Current Amps	Mechanical Data	
Locked Rotor	-	225	297.4	Bearing DE Side	6311 C3
Breakdown	-	318	-	Bearing NDE Side	6311 C3
Pull Up	-	147	-	Moment of Inertia	kg.m2
125% of FL	3540	-	42	Noise Level	Per NEMA dB (A)
75% of FL	3566	-	26.2		
50% of FL	3578	-	19.21		
No Load	3591	-	10.42		

Hazardous Location	Class 1, Div 2, Grp A,B,C,D		Rated Ambient (°C)	40
--------------------	-----------------------------	--	--------------------	----

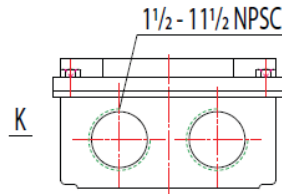
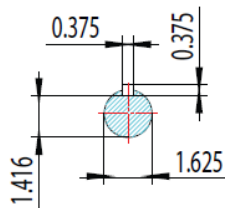
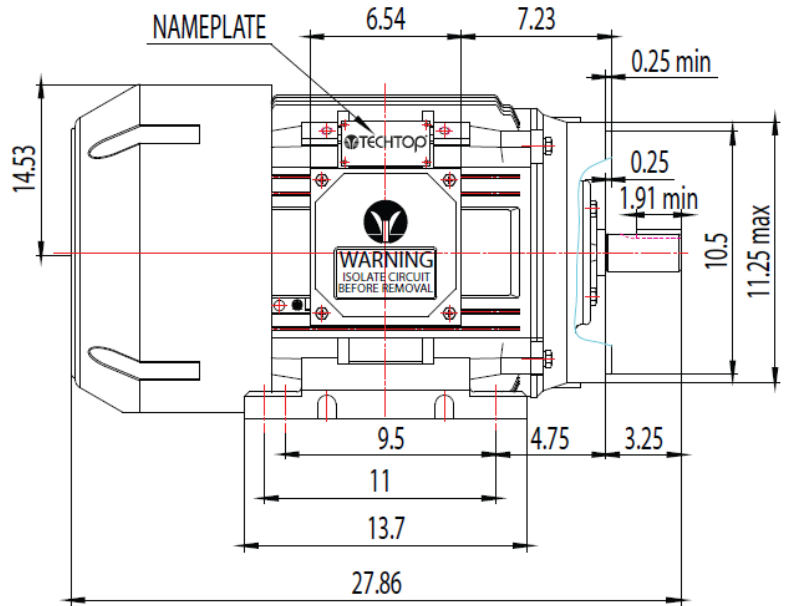
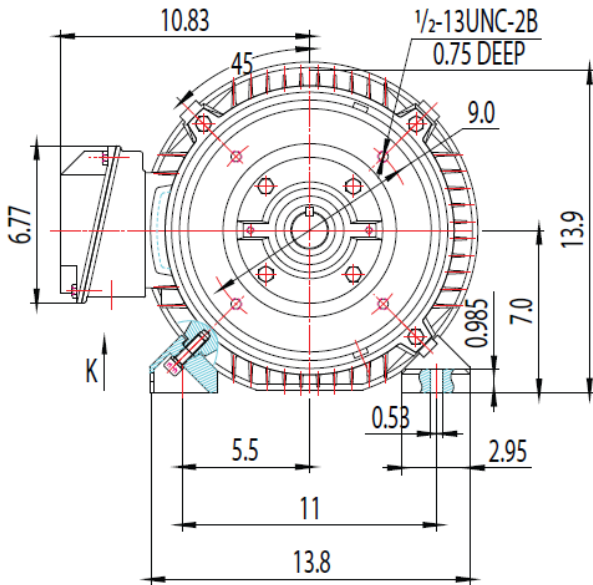
CT VFD Range	--	Loaded Torque Curves		--
P1 = INPUT POWER (KW), S = Slip (% of Sync RPM), η = Efficiency (%), cosφ = Power Factor				

Certifications	UL	CSA	DOE
File Numbers	323353	224693	096A

Wiring Diagram 3PH 12 Lead Dual Voltage



FRAME: 286TSC | HP: | RPM: | PHASE: 3 | VOLT: 208 - 230/460V | ENCL: TEFC | FREQ: 60 Hz | FLA: | LRA:



MODEL NUMBER:

GR3-CI-TF-286TSC

MFG PN:

REV BY DATE

1

2

3

4

5

6

7

CHANGES

MATERIAL:

UNITS: INCH BY: SSEE

DRAWN: 10/1/2018

WWW.TECHTOP.COM