



Model Number GR3-CI-TF-286TS-2-BR-D-30-230|460-60

MFG PN TFC286TS30U2B

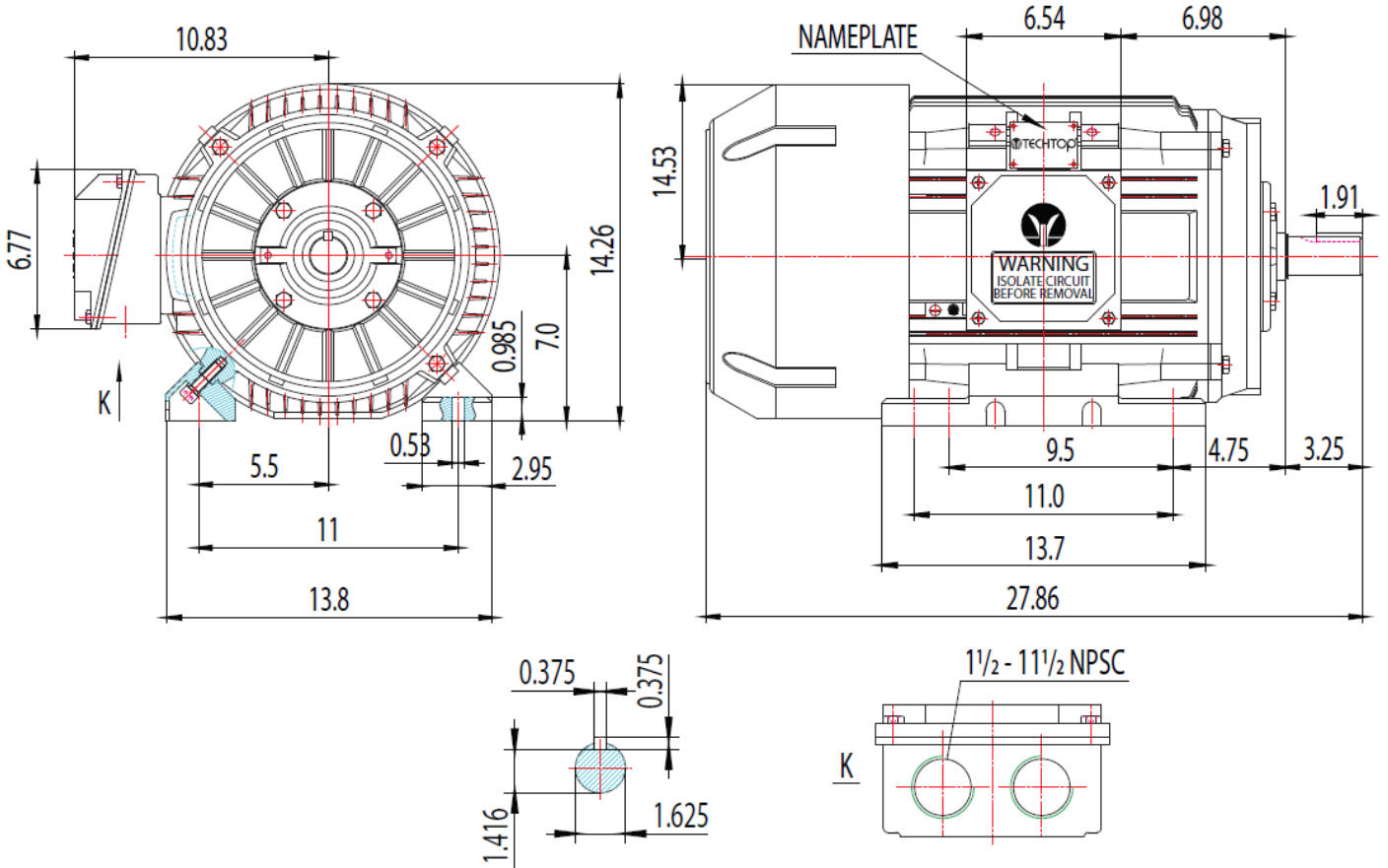
List Price --

All data shown at HIGH voltage setting

Format STD 3 Phase

Electrical Data				General Data	
Rated Motor Output Power	30 HP			Frame Size	286
Rated Motor Speed	3550 r/min			Enclosure	TEFC
Rated Motor Voltage (3 Phase)	230 460-60 Volts - HZ			Approximate Weight	347.16
Rated Motor Current	68/34 Amps			NEMA Design	A
Service Factor	1.25			IP Rating	55
KVA Code	J			Insulation Class	F
Nominal Efficiency	91.7 %			Tropicalization	YES
Nominal Power Factor	0.9 cosθ			Duty	Cont.
Full Load Torque Ft-Lb	43.5184 Ft-Lb			Cable Entry	1.25
Temp Rise @ Full Load °C	67.5			Feet Removable	YES
Efficiency Level	IE3 - NEMA Premium			Double Drilled	NO
Load Data	RPM	Trq %FL	Current Amps	Rated Ambient (°C)	40
Locked Rotor	-	225	297.4	Rated Altitude (M)	1000
Breakdown	-	318	-	Coating	7024 - Graphite Grey
Pull Up	-	147	-	Shaft Grounding	NO
125% of FL	3540	-	42	Brake Voltage (DC)	
75% of FL	3566	-	26.2	Brake Torque (N-M)	
50% of FL	3578	-	19.21	Mechanical Data	
No Load	3591	-	10.42	Bearing DE Side	6311 C3
Hazardous Location	Class 1, Div 2, Grp A,B,C,D			Bearing NDE Side	6311 C3
				Moment of Inertia	kg.m2
				Noise Level	Per NEMA dB (A)
CT VFD Range		--		Loaded Torque Curves	
				P1 = INPUT POWER (KW), S = Slip (% of Sync RPM), η = Efficiency (%), cosφ = Power Factor	
Certifications	UL	CSA	DOE		
File Numbers	323353	224693	096A		
Wiring Diagram	3PH 12 Lead Dual Voltage				

Model Number	GR3-CI-TF-286TS-2-BR-D-30-230 460-60
MFG PN	TFC286TS30U2B
List Price	--
Base Frame	GR-286TS-CI-TF



TECHTOP
 MATERIAL: ALUMINUM
 UNITS: INCH BY: SSEE
 DRAWN: 9/27/2018
 WWW.TECHTOP.COM

MODEL NUMBER:
 GR3-CI-TF-286TS
 MFG PN:

REV.	BY	DATE
1		
2		
3		
4		
5		
6		
7		

CHANGES