



Model Number GR3-CI-TF-286T-6-BR-D-20-230|460-60

MFG PN TFC286T20U6B

List Price --

All data shown at HIGH voltage setting

Format | STD 3 Phase

Electrical Data		General Data	
Rated Motor Output Power	20 HP	Frame Size	286
Rated Motor Speed	1180 r/min	Enclosure	TEFC
Rated Motor Voltage (3 Phase)	230 460-60 Volts - HZ	Approximate Weight	402.6
Rated Motor Current	49.8/24.9 Amps	NEMA Design	A
Service Factor	1.25	IP Rating	55
KVA Code	K	Insulation Class	F
Nominal Efficiency	91.7 %	Tropicalization	YES
Nominal Power Factor	0.82 cosθ	Duty	Cont.
Full Load Torque Ft-Lb	89.17584 Ft-Lb	Cable Entry	1.25
Temp Rise @ Full Load °C	59.7	Feet Removable	YES
Efficiency Level	IE3 - NEMA Premium	Double Drilled	NO

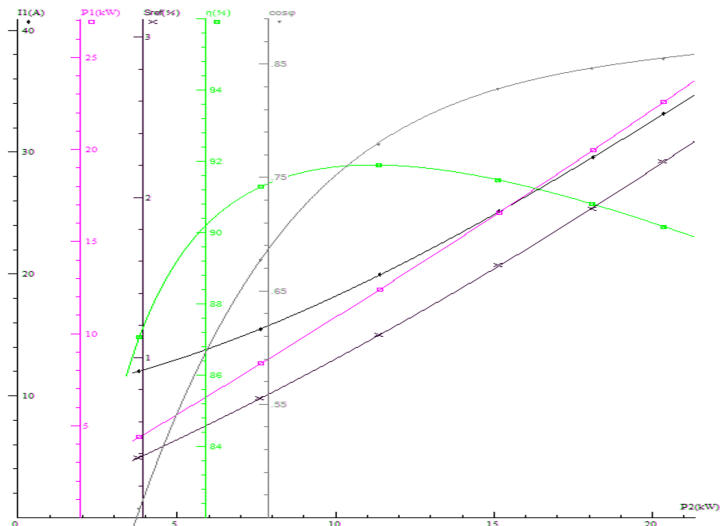
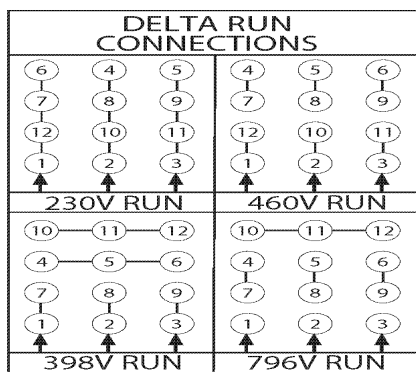
Load Data	RPM	Trq %FL	Current Amps	Mechanical Data	
Locked Rotor	-	252	220.9	Rated Ambient (°C)	40
Breakdown	-	313	-	Rated Altitude (M)	1000
Pull Up	-	115	-	Coating	7024 - Graphite Grey
125% of FL	1178	-	28.24	Shaft Grounding	NO
75% of FL	1186	-	19.73	Brake Voltage (DC)	
50% of FL	1191	-	15.36	Brake Torque (N-M)	
No Load	1196	-	10.78	Bearing DE Side	6311 C3

Hazardous Location	Class 1, Div 2, Grp A,B,C,D		Moment of Inertia	kg.m2
			Noise Level	Per NEMA dB (A)

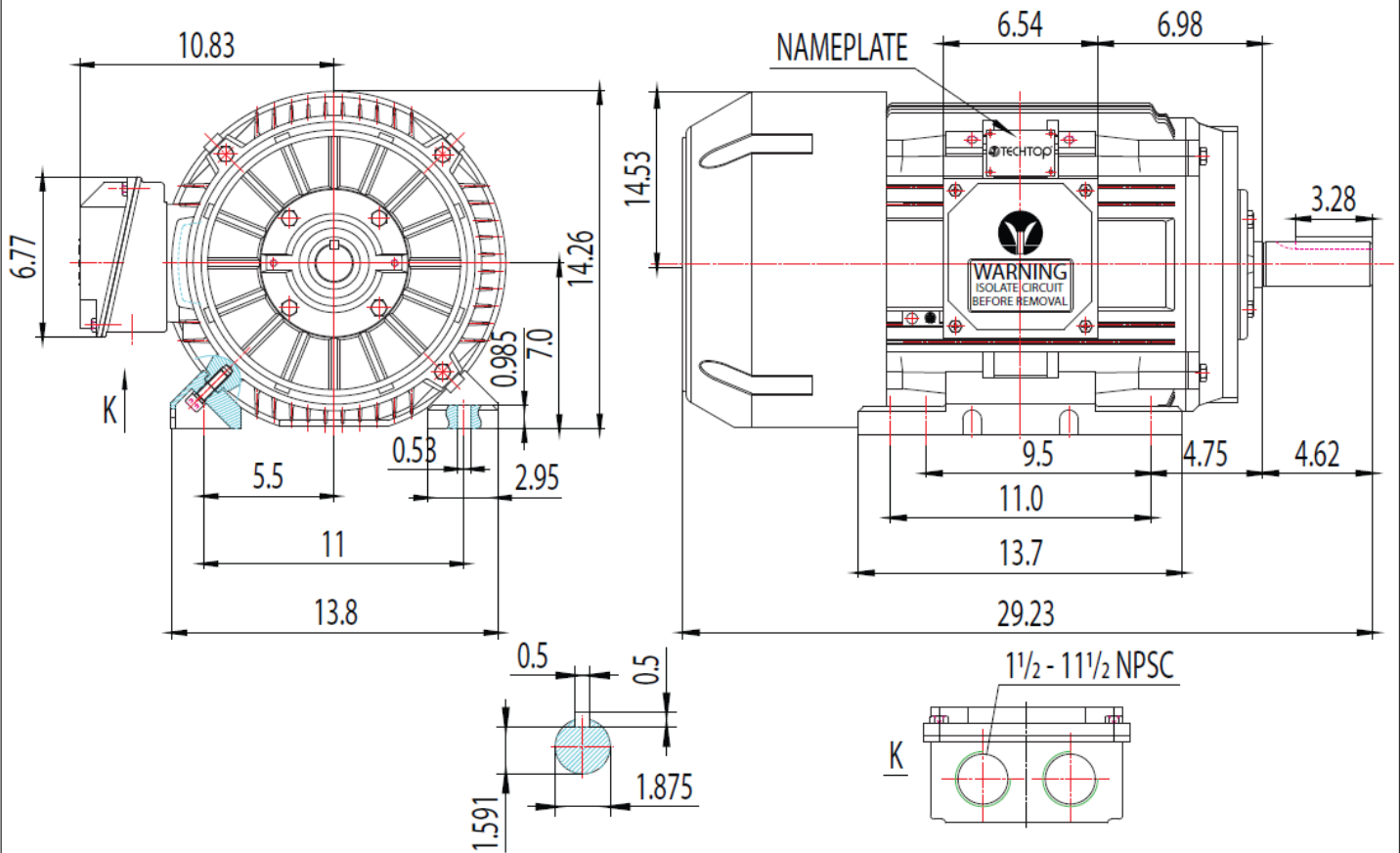
CT VFD Range	--	Loaded Torque Curves		--
P1 = INPUT POWER (KW), S = Slip (% of Sync RPM), η = Efficiency (%), cosφ = Power Factor				

Certifications	UL	CSA	DOE
File Numbers	323353	224693	096A

Wiring Diagram 3PH 12 Lead Dual Voltage



Model Number	GR3-CI-TF-286T-6-BR-D-20-230 460-60
MFG PN	TFC286T20U6B
List Price	--
Base Frame	GR-286T-CI-TF



MODEL NUMBER:	REV.	BY	DATE	CHANGES
GR3-CI-TF-286T	1			
MFG PN:	2			
	3			
	4			
	5			
	6			
	7			