



Model Number GR3-CI-TF-286JM-4-BR-D-30-230|460-60

MFG PN TFC286T30U4B

List Price --

All data shown at HIGH voltage setting

Format STD 3 Phase

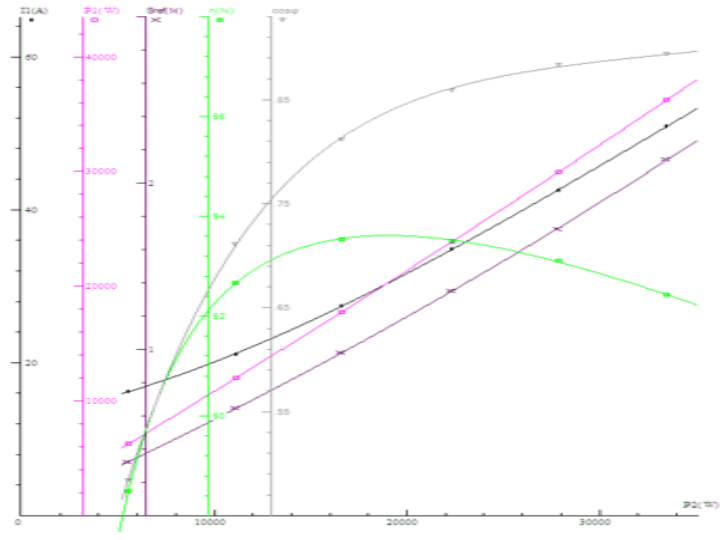
Electrical Data		General Data	
Rated Motor Output Power	30 HP	Frame Size	286
Rated Motor Speed	1775 r/min	Enclosure	TEFC
Rated Motor Voltage (3 Phase)	230 460-60 Volts - HZ	Approximate Weight	396
Rated Motor Current	69.8/34.9 Amps	NEMA Design	A
Service Factor	1.25	IP Rating	55
KVA Code	K	Insulation Class	F
Nominal Efficiency	93.6 %	Tropicalization	YES
Nominal Power Factor	0.86 cosθ	Duty	Cont.
Full Load Torque Ft-Lb	88.95456 Ft-Lb	Cable Entry	1.25
Temp Rise @ Full Load °C	59.6	Feet Removable	YES
Efficiency Level	IE3 - NEMA Premium	Double Drilled	NO

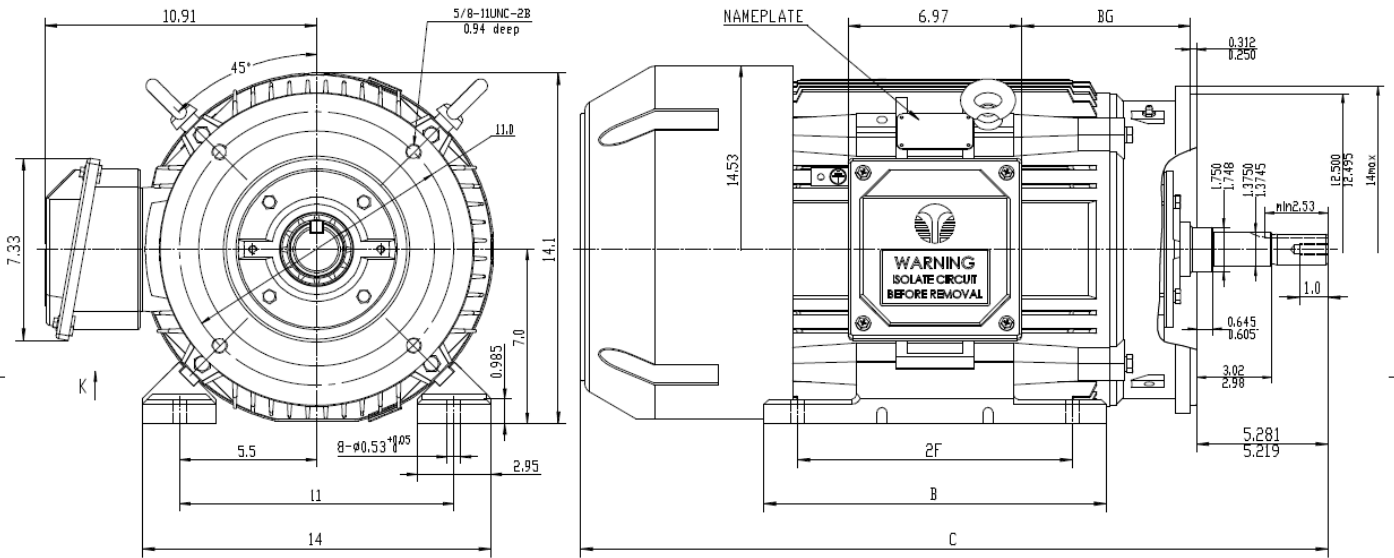
Load Data	RPM	Trq %FL	Current Amps	Mechanical Data	
Locked Rotor	-	298	329.5	Bearing DE Side	6311 C3
Breakdown	-	364	-	Bearing NDE Side	6311 C3
Pull Up	-	214	-	Moment of Inertia	kg.m2
125% of FL	1769	-	42.62	Noise Level	Per NEMA dB (A)
75% of FL	1782	-	27.52		
50% of FL	1788	-	21.25		
No Load		-	14.41		

Hazardous Location	Class 1, Div 2, Grp A,B,C,D		Rated Ambient (°C)	40
--------------------	-----------------------------	--	--------------------	----

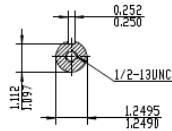
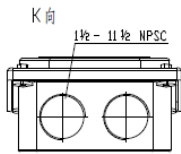
CT VFD Range	--	Loaded Torque Curves	--
$P_1 = \text{INPUT POWER (KW)}$, $S = \text{Slip (\% of Sync RPM)}$, $\eta = \text{Efficiency (\%)}$, $\cos\phi = \text{Power Factor}$			


Certifications	UL	CSA	DOE
File Numbers	323353	224693	096A
Wiring Diagram	3PH 12 Lead Dual Voltage		





Model	2F	B	BG	C
284T	9.5	12.2	6.27	28.48
286T	9.5/11	13.7	6.77	29.98



 ShangHai HIMAK Electrical Machinery CO.,LTD		NEMA TEFC 280T JM		
		NO:	1HMY.010.JM005 CFC	
Design:	Standard:	STEP MARK	1:3 SORT Cost iron Motor	
Checker:	Allow:	S		
Auditing:	Date:			