



<b>Model Number</b>	GR3-CI-TF-286JM-2-BR-D-40-230 460-60
<b>MFG PN</b>	T286TS40U2B
<b>List Price</b>	--

All data shown at HIGH voltage setting

Format | STD 1 Phase

Electrical Data				General Data	
Rated Motor Output Power	40 HP			Frame Size	286
Rated Motor Speed	3555 r/min			Enclosure	TEFC
Rated Motor Voltage (1 Phase)	230 460-60 Volts - HZ			Approximate Weight	473
Rated Motor Current	91/45.5 Amps			NEMA Design	A
Service Factor	1.25			IP Rating	55
KVA Code	G			Insulation Class	F
Nominal Efficiency	92.4 %			Tropicalization	YES
Nominal Power Factor	0.89 cosθ			Duty	Cont.
Full Load Torque Ft-Lb	-- Ft-Lb			Cable Entry	1.25
Temp Rise @ Full Load °C	--			Feet Removable	YES
Efficiency Level	IE3 - NEMA Premium			Double Drilled	NO
Load Data	RPM	Trq %FL	Current Amps	Rated Ambient (°C)	40
Locked Rotor	-	--	--	Rated Altitude (M)	1000
Breakdown	-	--	-	Coating	7024 - Graphite Grey
Pull Up	-	--	-	Start Capacitor (µF / V / Qty)	--
125% of FL	--	-	--	Run Capacitor (µF / V / Qty)	--
75% of FL	--	-	--	Centrifugal Switch Type	--
50% of FL	--	-	--	Mechanical Data	
No Load	--	-	--	Bearing DE Side	6312 C3
Hazardous Location	Class 1, Div 2, Grp A,B,C,D			Bearing NDE Side	6312 C3
				Moment of Inertia	-- kg.m2
				Noise Level	Per NEMA dB (A)

**Loaded Torque Curves**

--

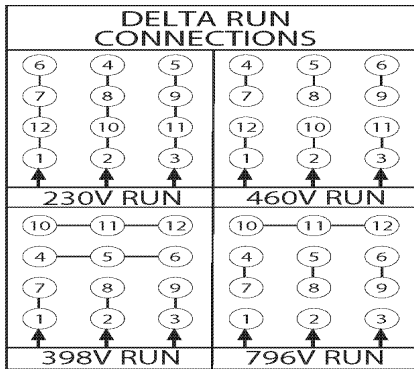
CT VFD Range

--

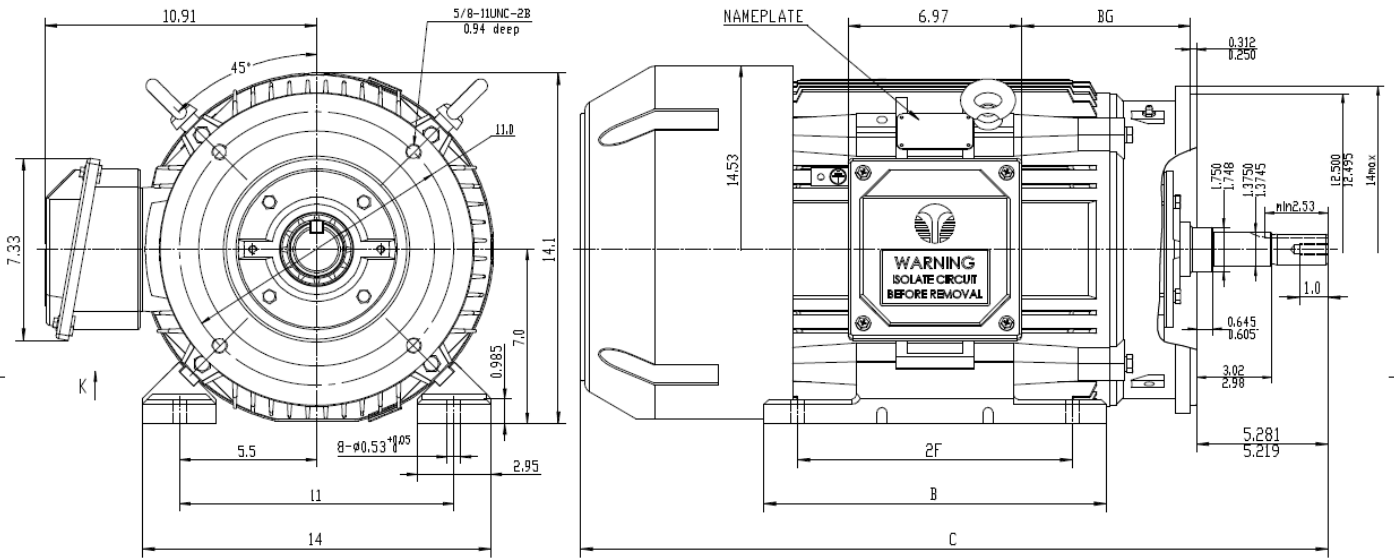
**P1 = INPUT POWER (KW), S = Slip (% of Sync RPM), η = Efficiency (%), cosφ = Power Factor**

<b>Certifications</b>	<b>UL</b>	<b>CSA</b>	<b>DOE</b>
File Numbers	323353	224693	096A

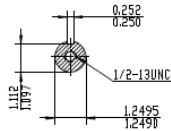
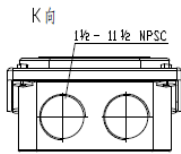
**Wiring Diagram** 3PH 12 Lead Dual Voltage



Model Number	GR3-CI-TF-286JM-2-BR-D-40-230 460-60
MFG PN	T286TS40U2B
List Price	--
Base Frame	GR-286JM-CI-TF



Model	2F	B	BG	C
284T	9.5	12.2	6.27	28.48
286T	9.5/11	13.7	6.77	29.98



<b>TECHTOP</b>		NEMA TEFC 280T JM	
Shanghai HIMAK Electrical Machinery CO., LTD		NO:	1HMY.010.JM005 CFC
Design	Standard	STEP MARK	1:3 SORT Cost iron Motor
Checker	Allow	S	
Auditing	Date		