



Model Number GR3-CI-TF-286JM-2-BR-D-30-230|460-60

MFG PN T286TS30U2B

List Price --

All data shown at HIGH voltage setting

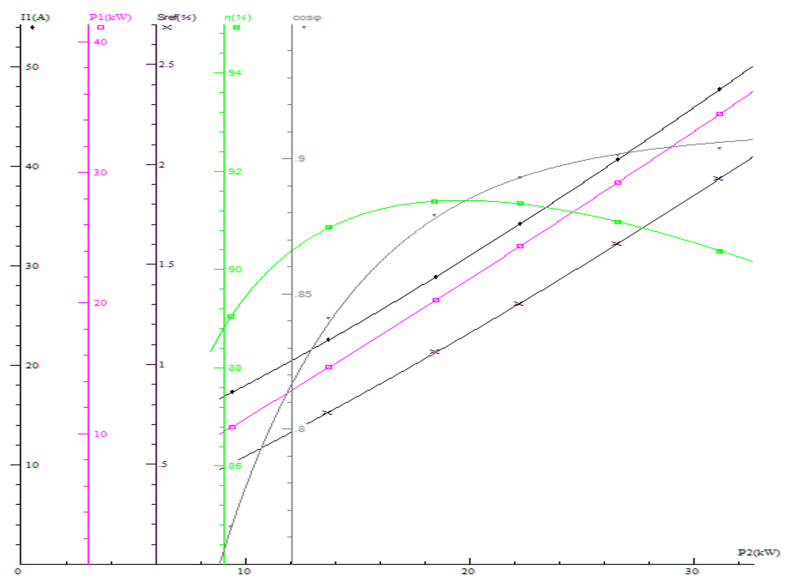
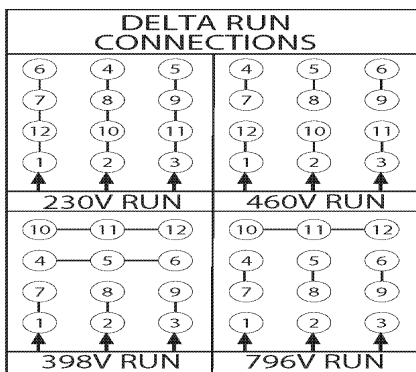
Format STD 1 Phase

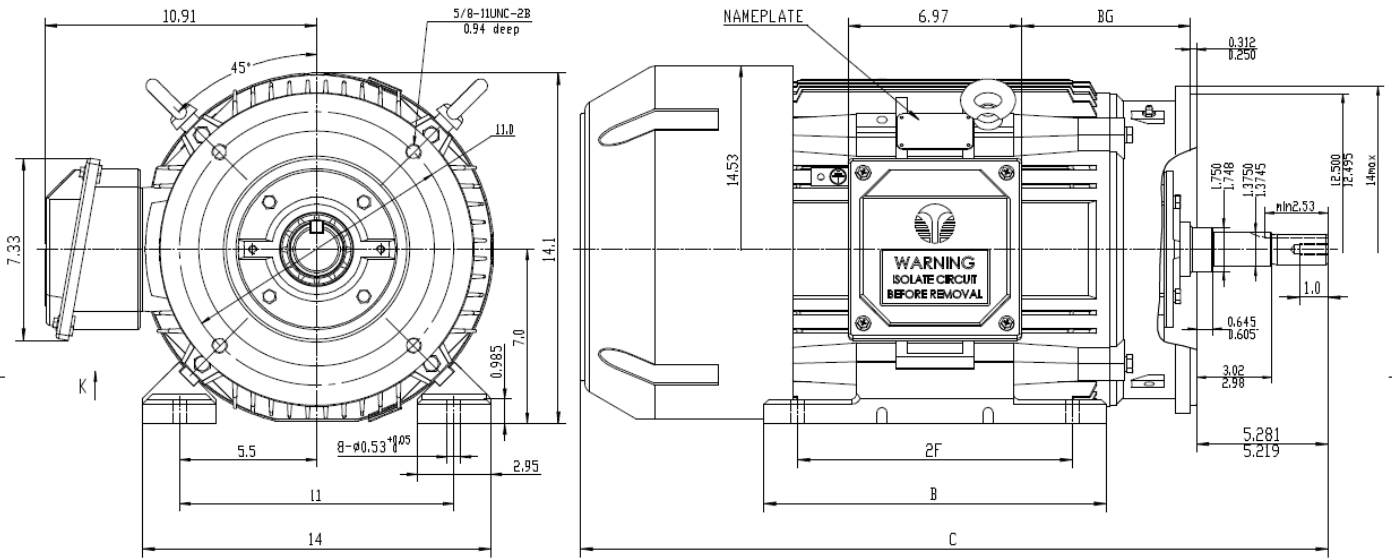
Electrical Data				General Data	
Rated Motor Output Power	30 HP			Frame Size	286
Rated Motor Speed	3550 r/min			Enclosure	TEFC
Rated Motor Voltage (1 Phase)	230 460-60 Volts - HZ			Approximate Weight	422.4
Rated Motor Current	70.42/35.2 Amps			NEMA Design	A
Service Factor	1.25			IP Rating	55
KVA Code	L			Insulation Class	F
Nominal Efficiency	91.7 %			Tropicalization	YES
Nominal Power Factor	87 cosθ			Duty	Cont.
Full Load Torque Ft-Lb	43.5184 Ft-Lb			Cable Entry	1.25
Temp Rise @ Full Load °C	67.5			Feet Removable	YES
Efficiency Level	IE3 - NEMA Premium			Double Drilled	NO
Load Data	RPM	Trq %FL	Current Amps	Rated Ambient (°C)	40
Locked Rotor	-	225	297.4	Rated Altitude (M)	1000
Breakdown	-	318	-	Coating	7024 - Graphite Grey
Pull Up	-	147	-	Start Capacitor (µF / V / Qty)	--
125% of FL	3540	-	42	Run Capacitor (µF / V / Qty)	--
75% of FL	3566	-	26.2	Centrifugal Switch Type	--
50% of FL	3578	-	19.21	Mechanical Data	
No Load	3591	-	10.42	Bearing DE Side	6311 C3
Hazardous Location	Class 1, Div 2, Grp A,B,C,D			Bearing NDE Side	6311 C3
				Moment of Inertia	-- kg.m2
				Noise Level	Per NEMA dB (A)

CT VFD Range	--	Loaded Torque Curves	--
P1 = INPUT POWER (KW), S = Slip (% of Sync RPM), η = Efficiency (%), cosφ = Power Factor			

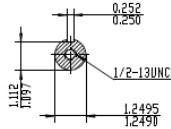
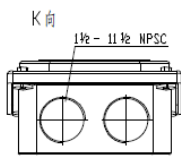
Certifications	UL	CSA	DOE
File Numbers	323353	224693	096A

Wiring Diagram 3PH 12 Lead Dual Voltage





Model	2F	B	BG	C
284T	9.5	12.2	6.27	28.48
286T	9.5/11	13.7	6.77	29.98



TECHTOP		NEMA TEFC 280T JM	
Shanghai HIMAK Electrical Machinery CO., LTD		NO:	1HMY.010.JM005 CFC
Design	Standard	STEP MARK	1:3 SORT Cost iron Motor
Checker	Allow	S	
Auditing	Date		