



Model Number	GR3-CI-TF-284TSC-2-BR-D-25-230 460-60
MFG PN	T284TS25U2B
List Price	--

All data shown at HIGH voltage setting

Format | STD 3 Phase

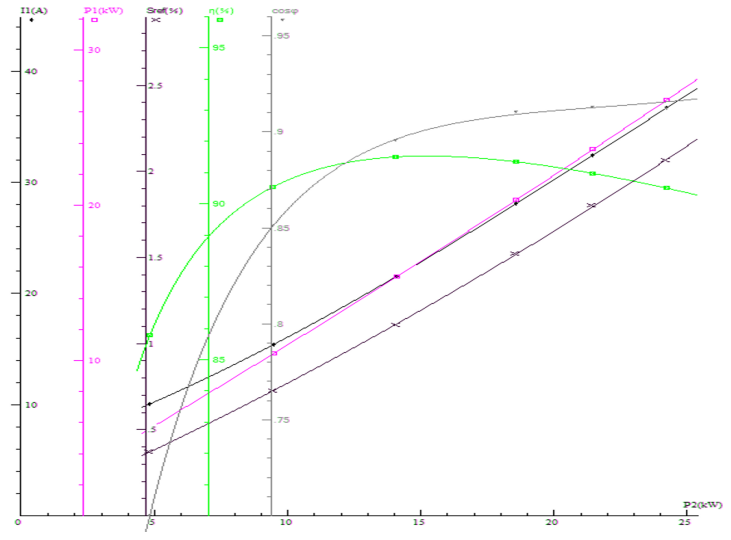
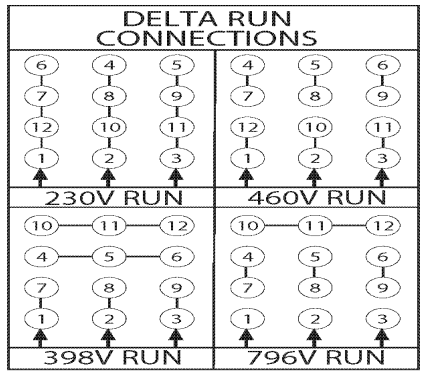
Electrical Data		General Data	
Rated Motor Output Power	25 HP	Frame Size	284
Rated Motor Speed	3545 r/min	Enclosure	TEFC
Rated Motor Voltage (3 Phase)	230 460-60 Volts - HZ	Approximate Weight	373
Rated Motor Current	56.8/28.4 Amps	NEMA Design	A
Service Factor	1.25	IP Rating	55
KVA Code	H	Insulation Class	F
Nominal Efficiency	91.7 %	Tropicalization	YES
Nominal Power Factor	0.9 cosθ	Duty	Cont.
Full Load Torque Ft-Lb	36.43744 Ft-Lb	Cable Entry	1.25
Temp Rise @ Full Load °C	59.3	Feet Removable	YES
Efficiency Level	IE3 - NEMA Premium	Double Drilled	NO

Load Data	RPM	Trq %FL	Current Amps	Mechanical Data	
Locked Rotor	-	207	204.5	Bearing DE Side	6311 C3
Breakdown	-	274	-	Bearing NDE Side	6311 C3
Pull Up	-	120	-	Moment of Inertia	-- kg.m2
125% of FL	3536	-	32.15	Noise Level	Per NEMA dB (A)
75% of FL	3560	-	21.26		
50% of FL	3574	-	15.14		
No Load	3594	-	6.96		

Hazardous Location	Class 1, Div 2, Grp A,B,C,D	
--------------------	-----------------------------	--

CT VFD Range	--	Loaded Torque Curves
P1 = INPUT POWER (KW), S = Slip (% of Sync RPM), η = Efficiency (%), cosφ = Power Factor		

Certifications	UL	CSA	DOE
File Numbers	323353	224693	096A
Wiring Diagram	3PH 12 Lead Dual Voltage		





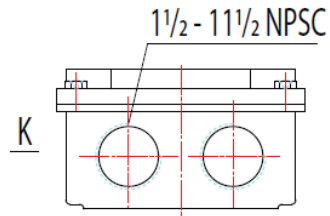
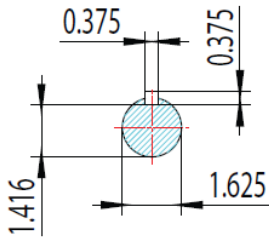
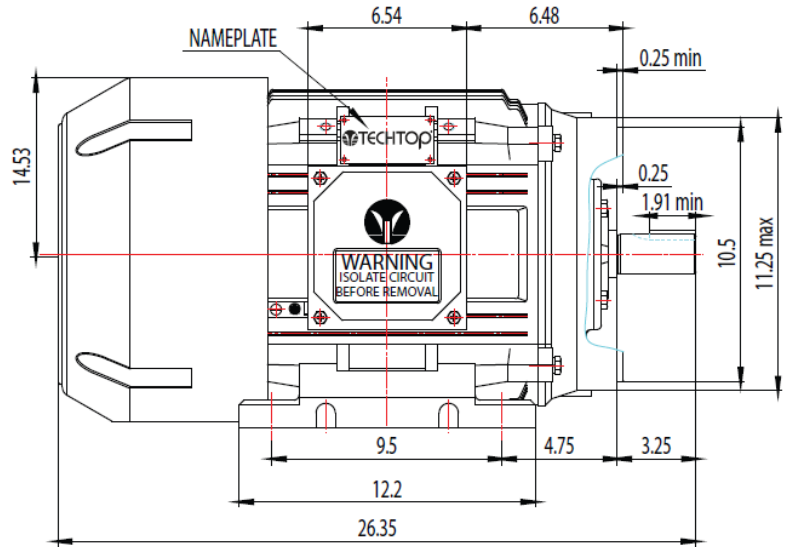
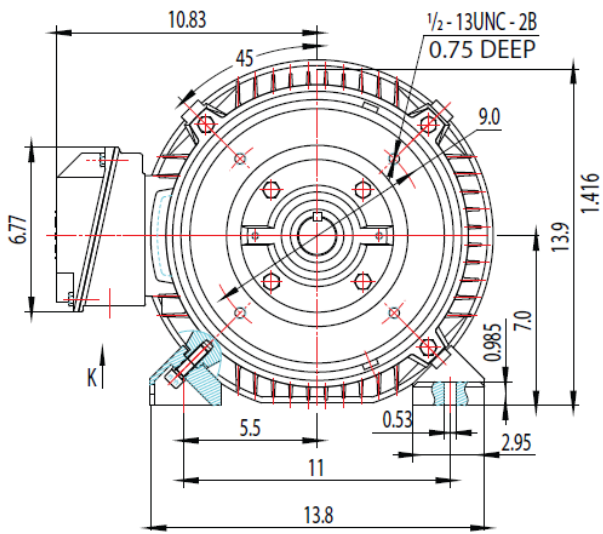
Model Number GR3-CI-TF-284TSC-2-BR-D-25-230|460-60

MFG PN T284TS25U2B

List Price --

Base Frame GR-284TSC-CI-TF

FRAME: 284TSC HP: RPM: PHASE: 3 VOLT: 208 - 230/460V ENCL: TEFC FREQ: 60 Hz FLA: LRA:



MODEL NUMBER:

GR3-CI-TF-284TSC

MFG PN:

REV. BY DATE

1

2

3

4

5

6

7

CHANGES

MATERIAL:
UNITS: INCH BY: SSEE
DRAWN: 7/25/2018
WWW.TECHTOP.COM

Techtop Industries -2815 Colonnades Court - Peachtree Corners, GA 30071 - Phone: (678) 436-5540