



Model Number GR3-CI-TF-284JP-4-BR-D-25-230|460-60

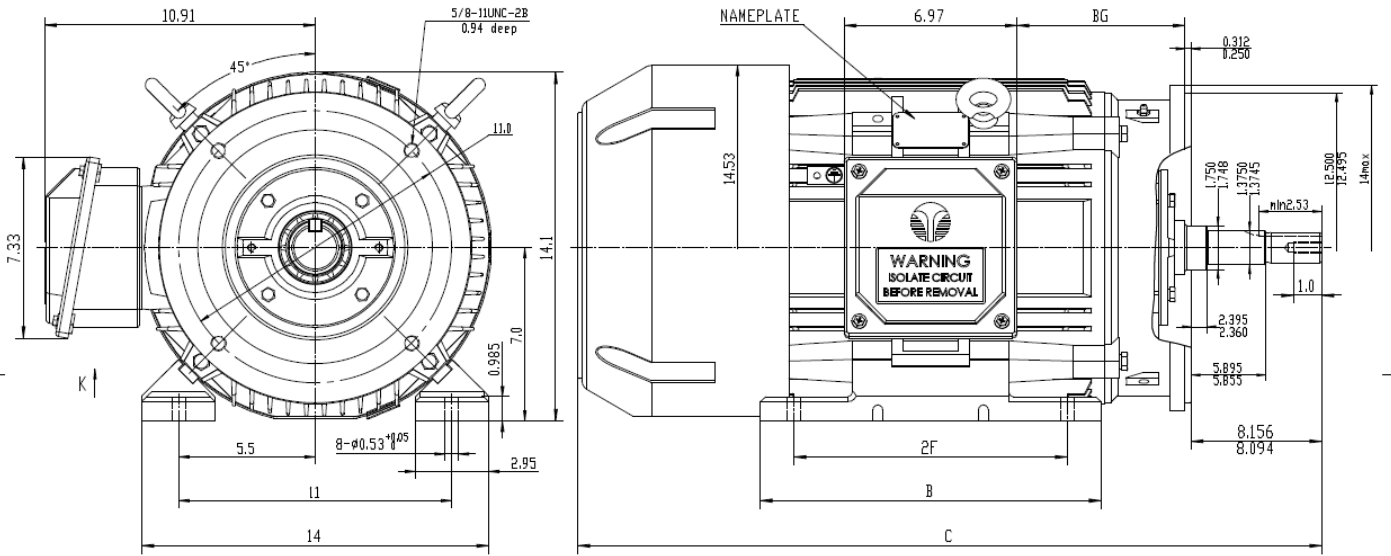
MFG PN TFC284T25U4B

List Price --

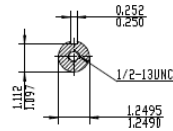
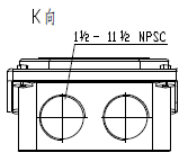
All data shown at HIGH voltage setting


Format STD 3 Phase

Electrical Data				General Data	
Rated Motor Output Power	25 HP			Frame Size	284
Rated Motor Speed	1775 r/min			Enclosure	TEFC
Rated Motor Voltage (3 Phase)	230 460-60 Volts - HZ			Approximate Weight	365.2
Rated Motor Current	58.2/29.1 Amps			NEMA Design	A
Service Factor	1.25			IP Rating	55
KVA Code	K			Insulation Class	F
Nominal Efficiency	93.6 %			Tropicalization	YES
Nominal Power Factor	0.86 cosθ			Duty	Cont.
Full Load Torque Ft-Lb	73.76 Ft-Lb			Cable Entry	1.25
Temp Rise @ Full Load °C	50.7			Feet Removable	YES
Efficiency Level	IE3 - NEMA Premium			Double Drilled	NO
Load Data	RPM	Trq %FL	Current Amps	Rated Ambient (°C)	40
Locked Rotor	-	283	269	Rated Altitude (M)	1000
Breakdown	-	350	-	Coating	7024 - Graphite Grey
Pull Up	-	206	-	Shaft Grounding	NO
125% of FL	1769	-	35	Brake Voltage (DC)	
75% of FL	1782	-	22.92	Brake Torque (N-M)	
50% of FL	1788	-	17.43	Mechanical Data	
No Load		-	11.63	Bearing DE Side	6311 C3
Hazardous Location	Class 1, Div 2, Grp A,B,C,D			Bearing NDE Side	6311 C3
				Moment of Inertia	kg.m2
				Noise Level	Per NEMA dB (A)
CT VFD Range		--		Loaded Torque Curves	
				P1 = INPUT POWER (KW), S = Slip (% of Sync RPM), η = Efficiency (%), cosφ = Power Factor	
Certifications	UL	CSA	DOE		
File Numbers	323353	224693	096A		
Wiring Diagram	3PH 12 Lead Dual Voltage				



Model	2F	B	BG	C
284T	9.5	12.2	6.27	31.36
286T	9.5/11	13.7	6.77	32.86



 Shanghai HIMAK Electrical Machinery CO.,LTD		NEMA TEFC 280T JP		
		NO:	1HMY.010.JP005 CFC	
Design	Standard	STEP MARK	1:3	SOR
Checker	Allow			Cast iron Motor
Auditing	Date			