



Model Number GR3-CI-TF-284JM-4-BR-D-25-230|460-60

MFG PN TFC284T25U4B

List Price --

All data shown at HIGH voltage setting

Format STD 3 Phase

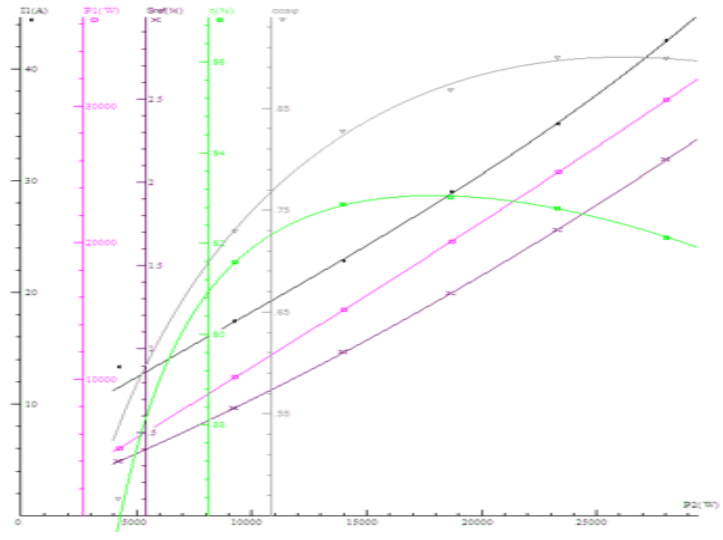
Electrical Data		General Data	
Rated Motor Output Power	25 HP	Frame Size	284
Rated Motor Speed	1775 r/min	Enclosure	TEFC
Rated Motor Voltage (3 Phase)	230 460-60 Volts - HZ	Approximate Weight	365.2
Rated Motor Current	58.2/29.1 Amps	NEMA Design	A
Service Factor	1.25	IP Rating	55
KVA Code	K	Insulation Class	F
Nominal Efficiency	93.6 %	Tropicalization	YES
Nominal Power Factor	0.86 cosθ	Duty	Cont.
Full Load Torque Ft-Lb	73.76 Ft-Lb	Cable Entry	1.25
Temp Rise @ Full Load °C	50.7	Feet Removable	YES
Efficiency Level	IE3 - NEMA Premium	Double Drilled	NO

Load Data	RPM	Trq %FL	Current Amps	Mechanical Data	
Locked Rotor	-	283	269	Bearing DE Side	6311 C3
Breakdown	-	350	-	Bearing NDE Side	6311 C3
Pull Up	-	206	-	Moment of Inertia	kg.m2
125% of FL	1769	-	35	Noise Level	Per NEMA dB (A)
75% of FL	1782	-	22.92		
50% of FL	1788	-	17.43		
No Load		-	11.63		

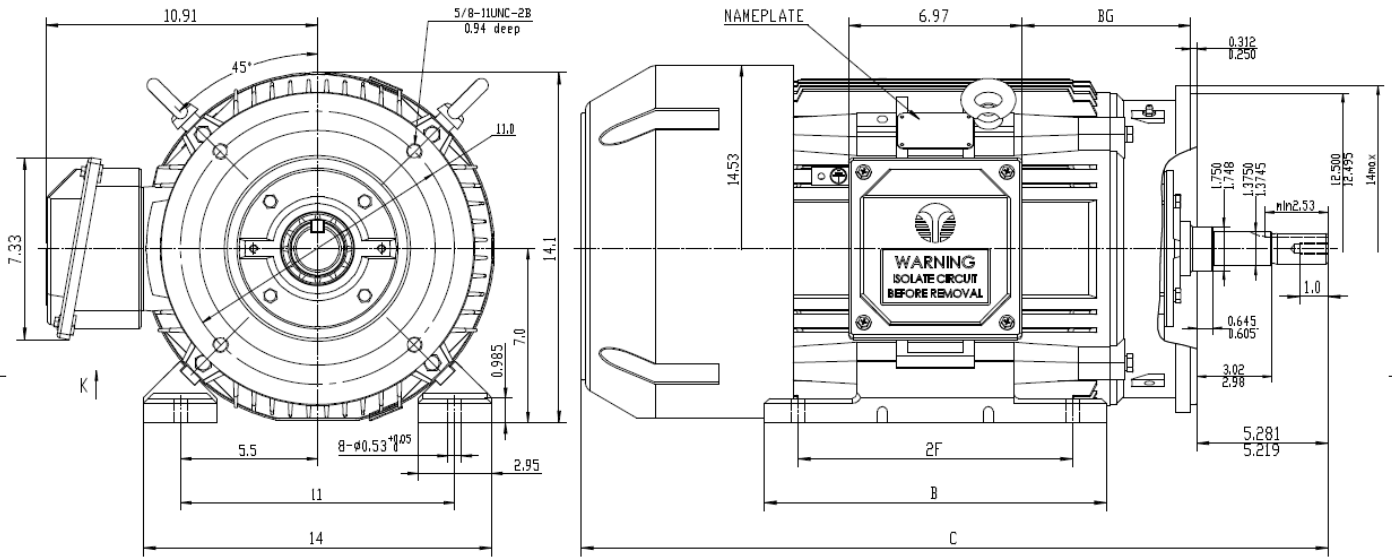
Hazardous Location	Class 1, Div 2, Grp A,B,C,D			Loaded Torque Curves		--
--------------------	-----------------------------	--	--	----------------------	--	----

CT VFD Range	--	P1 = INPUT POWER (KW), S = Slip (% of Sync RPM), η = Efficiency (%), cosφ = Power Factor			
--------------	----	---	--	--	--

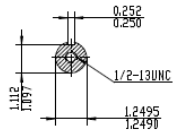
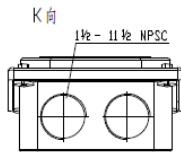
Certifications	UL	CSA	DOE
File Numbers	323353	224693	096A
Wiring Diagram	3PH 12 Lead Dual Voltage		




Model Number	GR3-CI-TF-284JM-4-BR-D-25-230 460-60
MFG PN	TFC284T25U4B
List Price	--
Base Frame	GR-284JM-CI-TF



Model	2F	B	BG	C
284T	9.5	12.2	6.27	28.48
286T	9.5/11	13.7	6.77	29.98



 ShangHai HIMAK Electrical Machinery CO.,LTD		NEMA TEFC 280T JM	
		NO:	1HMY.010.JM005 CFC
Design	Standard	STEP MARK	1:3 SORT
Checker	Allow	S	Cost iron Motor
Auditing	Date		