



Model Number GR3-CI-TF-280SB3-4-BR-D-100-230|460-60

MFG PN T 280S-4

List Price --

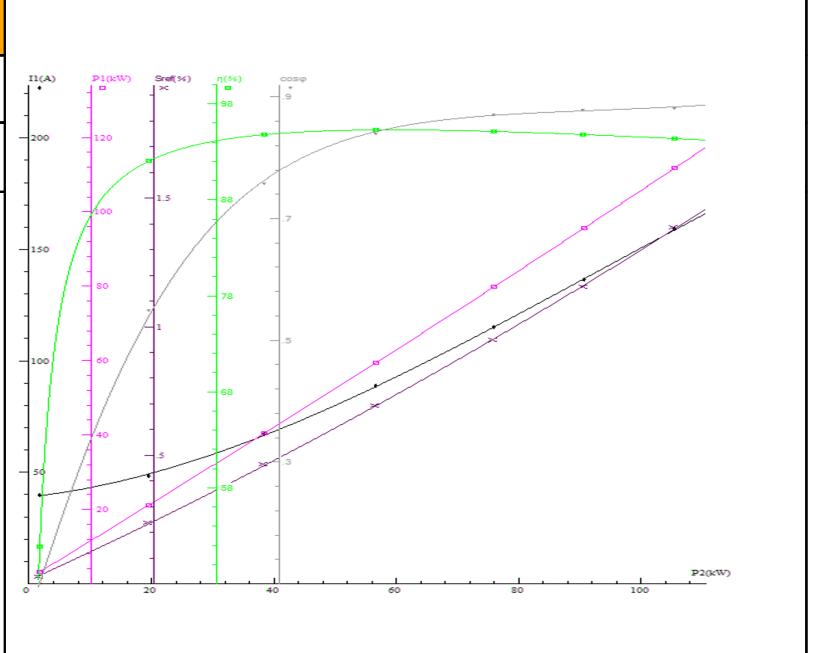
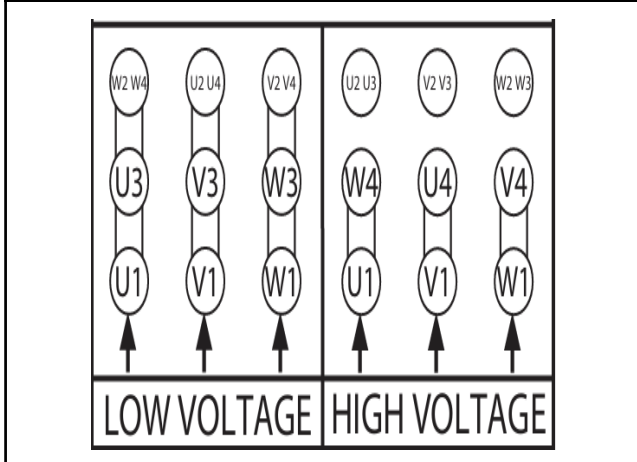
All data shown at HIGH voltage setting

Format | STD 3 Phase

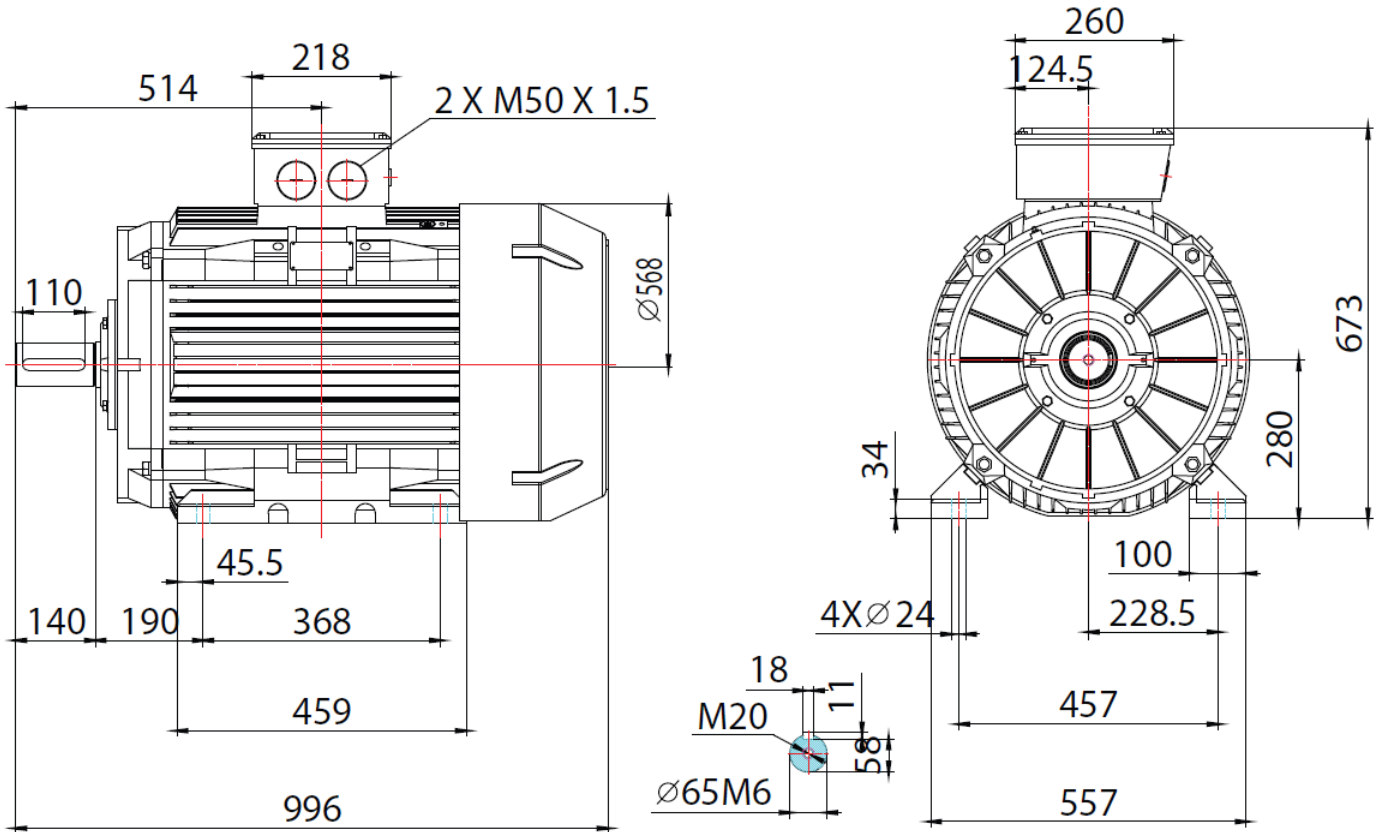
Electrical Data				General Data	
Rated Motor Output Power	100 HP			Frame Size	280
Rated Motor Speed	1780 r/min			Enclosure	TEFC
Rated Motor Voltage (3 Phase)	230 460-60 Volts - HZ			Approximate Weight	1238.6
Rated Motor Current	229.5/114.7 Amps			NEMA Design	A
Service Factor	1.15			IP Rating	55
KVA Code	L			Insulation Class	F
Nominal Efficiency	95.4 %			Tropicalization	YES
Nominal Power Factor	0.86 cosθ			Duty	Cont.
Full Load Torque Ft-Lb	295.04 Ft-Lb			Cable Entry	M50 X 1.5
Temp Rise @ Full Load °C	70.3			Feet Removable	YES
Efficiency Level	IE3 - NEMA Premium			Double Drilled	NO
Load Data	RPM	Trq %FL	Current Amps	Rated Ambient (°C)	40
Locked Rotor	-	336	1130	Rated Altitude (M)	1000
Breakdown	-	291	-	Coating	7024 - Graphite Grey
Pull Up	-	183	-	Shaft Grounding	NO
125% of FL	1779	-	141.43	Brake Voltage (DC)	--
75% of FL	1788	-	89.3	Brake Torque (N-M)	--
50% of FL	1790	-	67.1	Mechanical Data	
No Load	--	-	41.22	Bearing DE Side	6316 C3
Hazardous Location	Class 1, Div 2, Grp A,B,C,D			Bearing NDE Side	6316 C3
				Moment of Inertia	-- kg.m2
				Noise Level	Per NEMA dB (A)

CT VFD Range	--	Loaded Torque Curves	--
P1 = INPUT POWER (KW), S = Slip (% of Sync RPM), η = Efficiency (%), cosφ = Power Factor			

Certifications	UL	CSA	DOE
File Numbers	323353	224693	096A
Wiring Diagram	3PH 12 Lead IEC Dual Voltage		



FRAME: 280SB3 HP: RPM: PHASE: 3 VOLT: ENCL: TEFC FREQ: 60 Hz FLA: LRA:



MODEL NUMBER:
GR3-CI-TF-280SB3

REV.	BY	DATE
1		
2		
3		
4		
5		
6		
7		

CHANGES

MATERIAL: ALUMINUM
UNITS: INCH BY: SSEE
DRAWN: 8/20/2018
WWW.TECHTOP.COM