



<b>Model Number</b>	GR3-CI-TF-280MB3-4-BR-D-125-230 460-60
<b>MFG PN</b>	T 280M1-4
<b>List Price</b>	--

All data shown at HIGH voltage setting

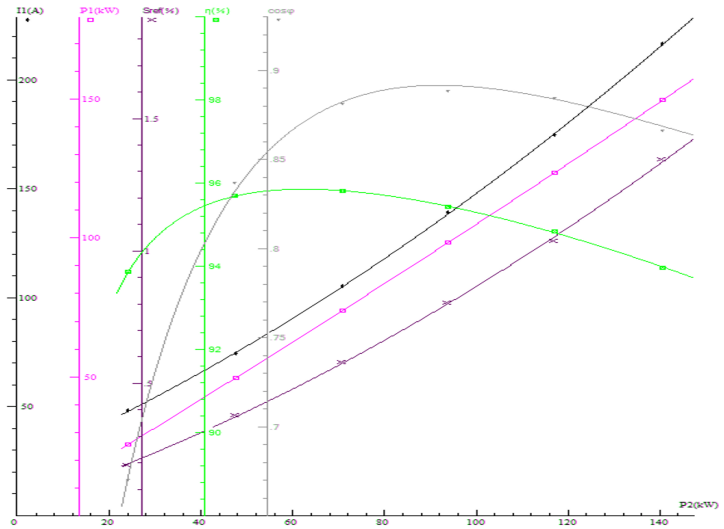
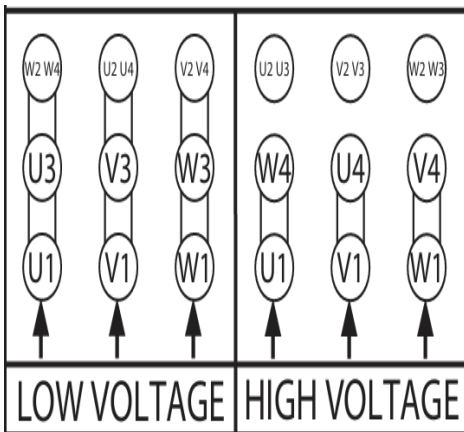
Format | STD 3 Phase

Electrical Data				General Data	
Rated Motor Output Power	125 HP			Frame Size	280
Rated Motor Speed	1785 r/min			Enclosure	TEFC
Rated Motor Voltage (3 Phase)	230 460-60 Volts - HZ			Approximate Weight	1408
Rated Motor Current	266.1/133.0 Amps			NEMA Design	A
Service Factor	1.15			IP Rating	55
KVA Code	K			Insulation Class	F
Nominal Efficiency	95.4 %			Tropicalization	YES
Nominal Power Factor	0.89 cosθ			Duty	Cont.
Full Load Torque Ft-Lb	365.112 Ft-Lb			Cable Entry	M50 X 1.5
Temp Rise @ Full Load °C	72.5			Feet Removable	YES
Efficiency Level	IE3 - NEMA Premium			Double Drilled	NO
Load Data	RPM	Trq %FL	Current Amps	Rated Ambient (°C)	40
Locked Rotor	-	197	1260	Rated Altitude (M)	1000
Breakdown	-	185	-	Coating	7024 - Graphite Grey
Pull Up	-	89	-	Shaft Grounding	NO
125% of FL	1781	-	174	Brake Voltage (DC)	--
75% of FL	1790	-	103.68	Brake Torque (N-M)	--
50% of FL	1793	-	73.63	Mechanical Data	
No Load	--	-	33.66	Bearing DE Side	6316 C3
Hazardous Location	Class 1, Div 2, Grp A,B,C,D			Bearing NDE Side	6316 C3
				Moment of Inertia	-- kg.m2
				Noise Level	Per NEMA dB (A)

CT VFD Range	--	<b>Loaded Torque Curves</b>	--
<b>P1 = INPUT POWER (KW), S = Slip (% of Sync RPM), η = Efficiency (%), cosφ = Power Factor</b>			

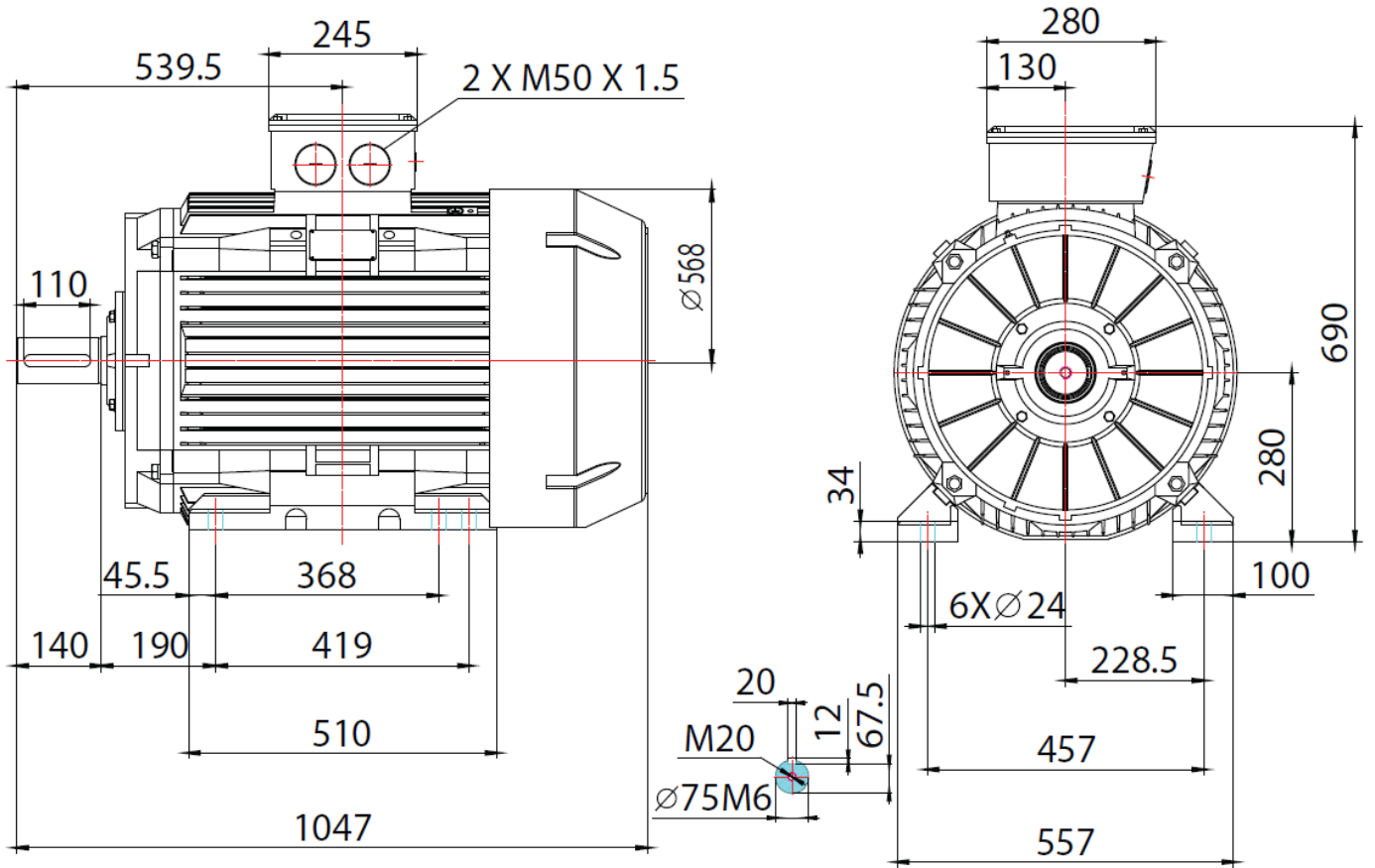
Certifications	UL	CSA	DOE
File Numbers	323353	224693	096A

**Wiring Diagram** 3PH 12 Lead IEC Dual Voltage



Model Number	GR3-CI-TF-280MB3-4-BR-D-125-230 460-60
MFG PN	T 280M1-4
List Price	--
Base Frame	GR-280MB3-CI-TF

FRAME: 280MB3-4,6P HP: RPM: PHASE: 3 VOLT: ENCL: TEFC FREQ: 60 Hz FLA: LRA:



**TECHTOP**  
 MATERIAL: ALUMINUM  
 UNITS: INCH BY: SSEE  
 DRAWN: 8/20/2018  
 WWW.TECHTOP.COM

MODEL NUMBER:	REV.	BY	DATE	CHANGES
GR3-CI-TF-280MB3-4,6P-CFC	1			
MFG PN:	2			
	3			
	4			
	5			
	6			
	7			