



Model Number GR3-CI-TF-256TC-6-BR-D-10-230|460-60

MFG PN TFC256T10U6B

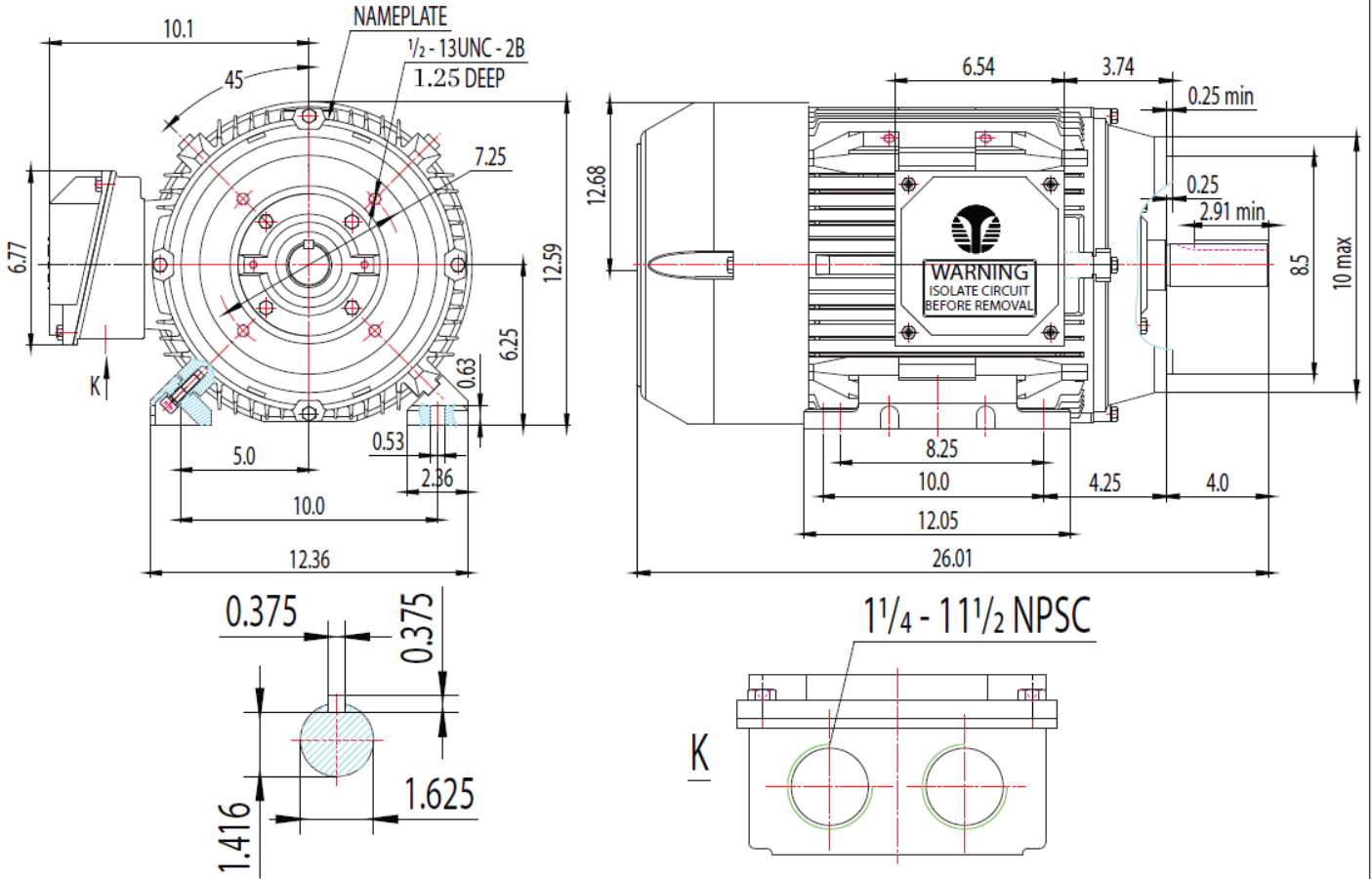
List Price --

All data shown at HIGH voltage setting

Format | STD 3 Phase

Electrical Data				General Data	
Rated Motor Output Power	10 HP			Frame Size	256
Rated Motor Speed	1175 r/min			Enclosure	TEFC
Rated Motor Voltage (3 Phase)	230 460-60 Volts - HZ			Approximate Weight	277.2
Rated Motor Current	27.8/13.9 Amps			NEMA Design	A
Service Factor	1.25			IP Rating	55
KVA Code	K			Insulation Class	F
Nominal Efficiency	91 %			Tropicalization	YES
Nominal Power Factor	0.74 cosθ			Duty	Cont.
Full Load Torque Ft-Lb	44.9936 Ft-Lb			Cable Entry	1.25
Temp Rise @ Full Load °C	48.3			Feet Removable	YES
Efficiency Level	IE3 - NEMA Premium			Double Drilled	NO
Load Data	RPM	Trq %FL	Current Amps	Rated Ambient (°C)	40
Locked Rotor	-	190	88.15	Rated Altitude (M)	1000
Breakdown	-	260	-	Coating	7024 - Graphite Grey
Pull Up	-	122	-	Shaft Grounding	NO
125% of FL	1164	-	16.56	Brake Voltage (DC)	--
75% of FL	1181	-	10.71	Brake Torque (N-M)	--
50% of FL	1188	-	8.5	Mechanical Data	
No Load	1197	-	6.34	Bearing DE Side	6309 C3
Hazardous Location	Class 1, Div 2, Grp A,B,C,D			Bearing NDE Side	6309 C3
				Moment of Inertia	-- kg.m2
				Noise Level	Per NEMA dB (A)
CT VFD Range		--		Loaded Torque Curves	
				P1 = INPUT POWER (KW), S = Slip (% of Sync RPM), η = Efficiency (%), cosφ = Power Factor	
Certifications	UL	CSA	DOE		
File Numbers	323353	224693	096A		
Wiring Diagram	3PH 12 Lead Dual Voltage				
<p style="text-align: center;">Techtop Industries -2815 Colonnades Court - Peachtree Corners, GA 30071 - Phone: (678) 436-5540</p>					

FRAME: 256TC | HP: | RPM: | PHASE: 3 | VOLT: 208 - 230/460V | ENCL: TEFC | FREQ: 60 Hz | FLA: | LRA:



MODEL NUMBER:
GR3-CI-TF-256TC
MFG PN:

REV.	BY	DATE
1		
2		
3		
4		
5		
6		
7		

CHANGES

MATERIAL:
UNITS: INCH | BY: SSEE
DRAWN: 6/26/2018
WWW.TECHTOP.COM