



Model Number GR3-CI-TF-256TC-4-BR-D-20-230|460-60

MFG PN TFC256T20U4B

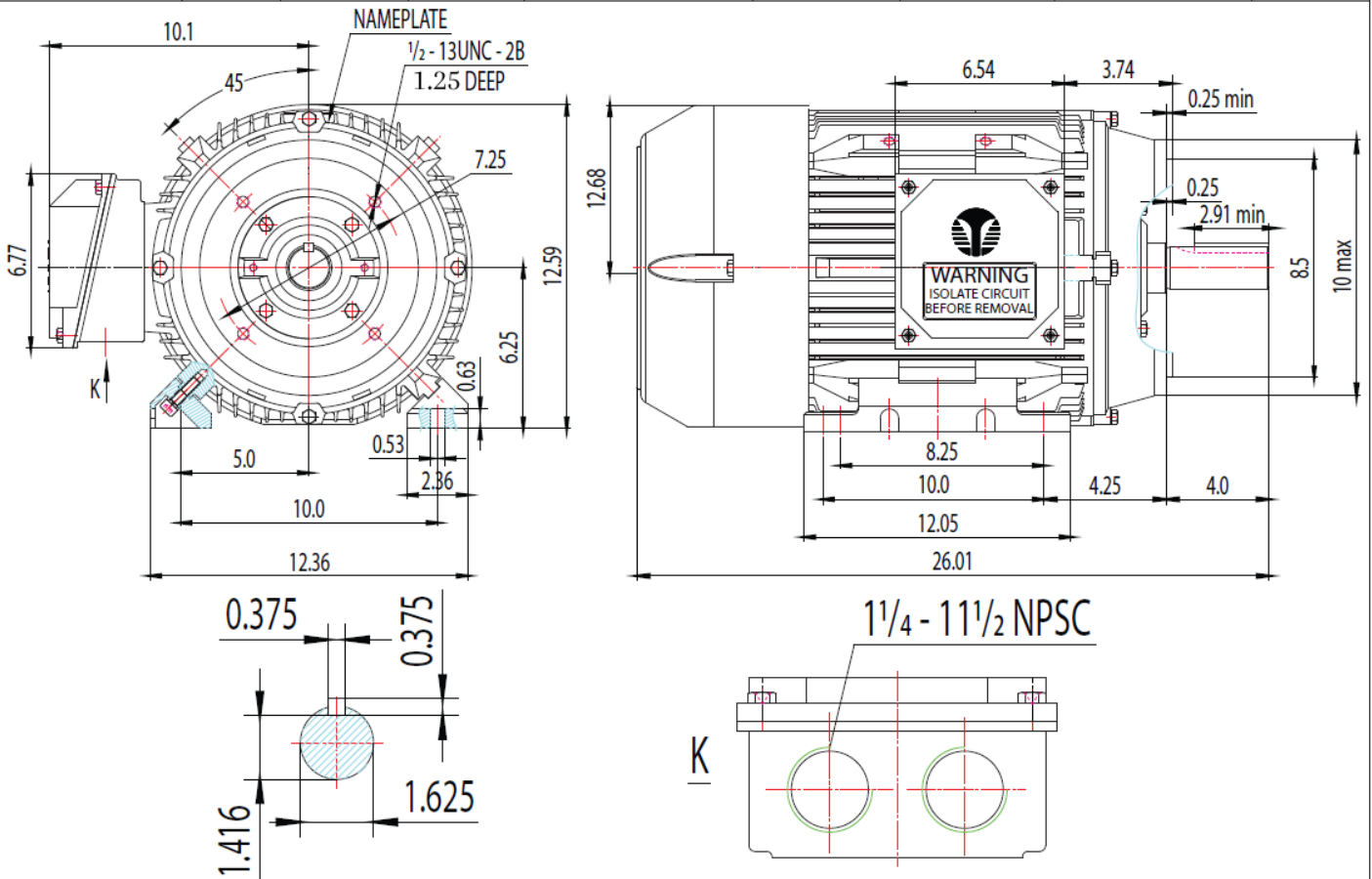
List Price --

All data shown at HIGH voltage setting

Format STD 3 Phase

| Electrical Data | | | | General Data | |
|-------------------------------|-----------------------------|---------|--------------|---|----------------------|
| Rated Motor Output Power | 20 HP | | | Frame Size | 256 |
| Rated Motor Speed | 1770 r/min | | | Enclosure | TEFC |
| Rated Motor Voltage (3 Phase) | 230 460-60 Volts - HZ | | | Approximate Weight | 290.4 |
| Rated Motor Current | 46.8/23.4 Amps | | | NEMA Design | BE |
| Service Factor | 1.25 | | | IP Rating | 55 |
| KVA Code | K | | | Insulation Class | F |
| Nominal Efficiency | 93 % | | | Tropicalization | YES |
| Nominal Power Factor | 0.86 cosθ | | | Duty | Cont. |
| Full Load Torque Ft-Lb | 71.84224 Ft-Lb | | | Cable Entry | 1.25 |
| Temp Rise @ Full Load °C | 50.6 | | | Feet Removable | YES |
| Efficiency Level | IE3 - NEMA Premium | | | Double Drilled | NO |
| Load Data | RPM | Trq %FL | Current Amps | Rated Ambient (°C) | 40 |
| Locked Rotor | - | 280 | 211.2 | Rated Altitude (M) | 1000 |
| Breakdown | - | 352 | - | Coating | 7024 - Graphite Grey |
| Pull Up | - | 206 | - | Shaft Grounding | NO |
| 125% of FL | 1763 | - | 28.8 | Brake Voltage (DC) | |
| 75% of FL | 1779 | - | 18.27 | Brake Torque (N-M) | |
| 50% of FL | 1787 | - | 13.84 | Mechanical Data | |
| No Load | | - | 8.72 | Bearing DE Side | 6309 C3 |
| Hazardous Location | Class 1, Div 2, Grp A,B,C,D | | | Bearing NDE Side | 6309 C3 |
| | | | | Moment of Inertia | kg.m2 |
| | | | | Noise Level | Per NEMA dB (A) |
| | | | | Loaded Torque Curves | |
| CT VFD Range | | -- | | P1 = INPUT POWER (KW), S = Slip (% of Sync RPM), η = Efficiency (%), cosφ = Power Factor | |
| Certifications | UL | CSA | DOE | | |
| File Numbers | 323353 | 224693 | 096A | | |
| Wiring Diagram | 3PH 12 Lead Dual Voltage | | | | |
| | | | | | |

FRAME: 256TC | HP: | RPM: | PHASE: 3 | VOLT: 208 - 230/460V | ENCL: TEFC | FREQ: 60 Hz | FLA: | LRA:



MODEL NUMBER:
GR3-CI-TF-256TC
MFG PN:

| REV. | BY | DATE |
|------|----|------|
| 1 | | |
| 2 | | |
| 3 | | |
| 4 | | |
| 5 | | |
| 6 | | |
| 7 | | |

CHANGES

MATERIAL:
UNITS: INCH | BY: SSEE
DRAWN: 6/26/2018
WWW.TECHTOP.COM