



Model Number GR3-CI-TF-256JP-4-BR-D-20-230|460-60

MFG PN TFC256T20U4B

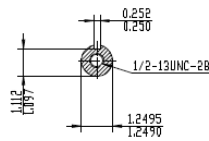
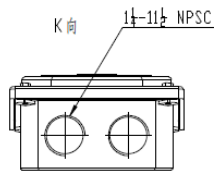
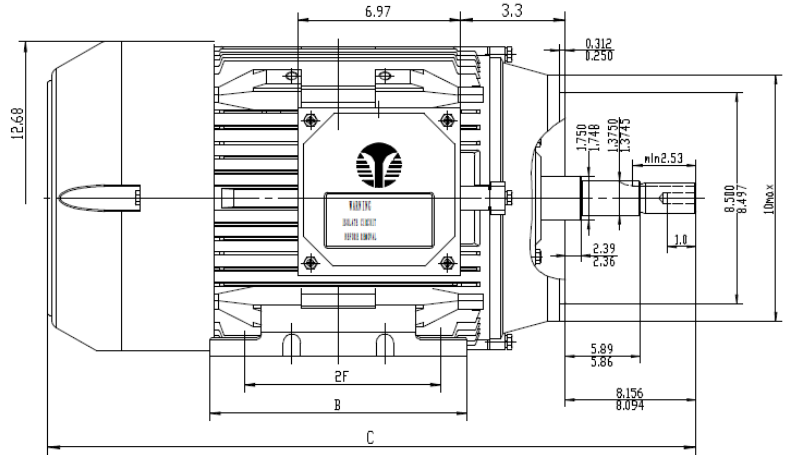
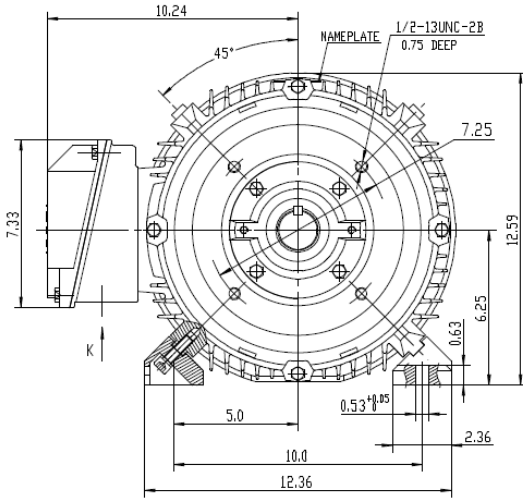
List Price --

All data shown at HIGH voltage setting


Format STD 3 Phase

Electrical Data				General Data	
Rated Motor Output Power	20 HP			Frame Size	256
Rated Motor Speed	1770 r/min			Enclosure	TEFC
Rated Motor Voltage (3 Phase)	230 460-60 Volts - HZ			Approximate Weight	290.4
Rated Motor Current	46.8/23.4 Amps			NEMA Design	BE
Service Factor	1.25			IP Rating	55
KVA Code	K			Insulation Class	F
Nominal Efficiency	93 %			Tropicalization	YES
Nominal Power Factor	0.86 cosθ			Duty	Cont.
Full Load Torque Ft-Lb	71.84224 Ft-Lb			Cable Entry	1.25
Temp Rise @ Full Load °C	50.6			Feet Removable	YES
Efficiency Level	IE3 - NEMA Premium			Double Drilled	NO
Load Data	RPM	Trq %FL	Current Amps	Rated Ambient (°C)	40
Locked Rotor	-	280	211.2	Rated Altitude (M)	1000
Breakdown	-	352	-	Coating	7024 - Graphite Grey
Pull Up	-	206	-	Shaft Grounding	NO
125% of FL	1763	-	28.8	Brake Voltage (DC)	
75% of FL	1779	-	18.27	Brake Torque (N-M)	
50% of FL	1787	-	13.84	Mechanical Data	
No Load		-	8.72	Bearing DE Side	6309 C3
Hazardous Location	Class 1, Div 2, Grp A,B,C,D			Bearing NDE Side	6309 C3
				Moment of Inertia	kg.m2
				Noise Level	Per NEMA dB (A)
CT VFD Range		--		Loaded Torque Curves	
				P1 = INPUT POWER (KW), S = Slip (% of Sync RPM), η = Efficiency (%), cosφ = Power Factor	
Certifications	UL	CSA	DOE		
File Numbers	323353	224693	096A		
Wiring Diagram	3PH 12 Lead Dual Voltage				

Model Number	GR3-CI-TF-256JP-4-BR-D-20-230 460-60
MFG PN	TFC256T20U4B
List Price	--
Base Frame	GR-256JP-CI-TF



Model	2F	B	C
254T	8.25	10.35	29.27
256T	8.25/10	12.05	31.01

 Shanghai HIMAK Electrical Machinery CO.,LTD		NEMA TEFC 250T JP			
		NO:	1HMY.010.JP004	CFC	
Design	Standard	STEP MARK	1:3	SORT	Cast iron Motor
Checker	Allow	S			
Auditing	Date				