



Model Number GR3-CI-TF-256JP-2-BR-D-20-230|460-60

MFG PN TFC256T20U2B

List Price --

All data shown at HIGH voltage setting

Format STD 3 Phase

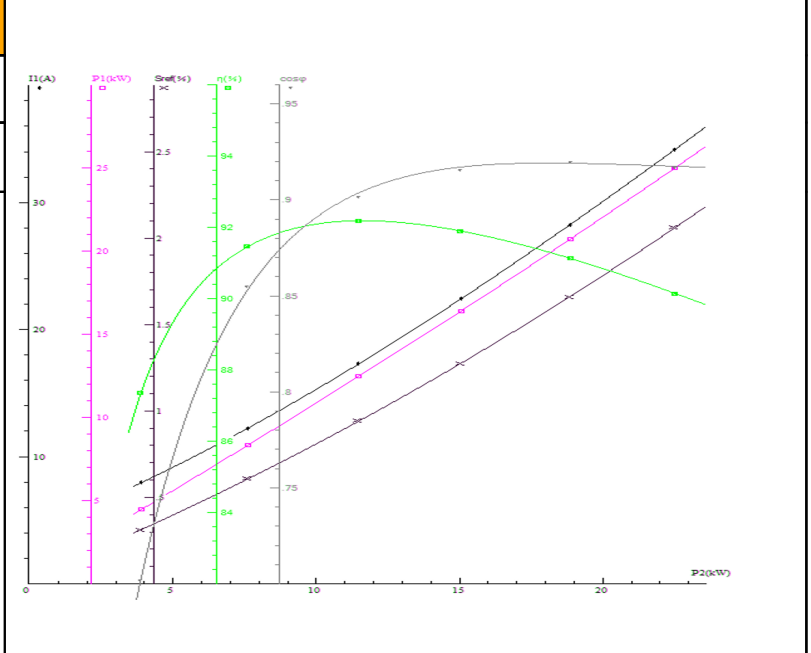
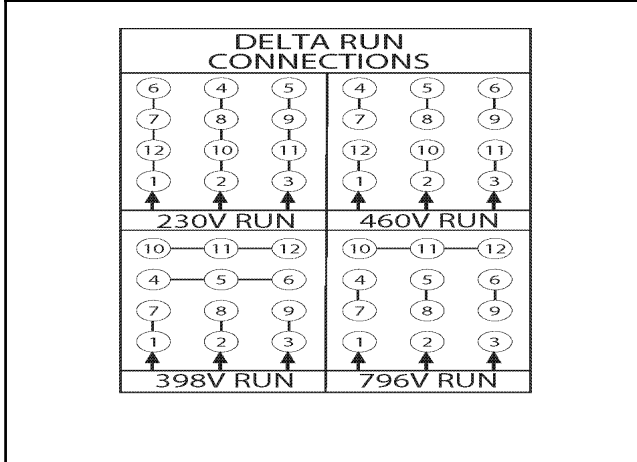
Electrical Data		General Data	
Rated Motor Output Power	20 HP	Frame Size	256
Rated Motor Speed	3550 r/min	Enclosure	TEFC
Rated Motor Voltage (3 Phase)	230 460-60 Volts - HZ	Approximate Weight	271.2
Rated Motor Current	45.2/22.6 Amps	NEMA Design	BE
Service Factor	1.25	IP Rating	55
KVA Code	J	Insulation Class	F
Nominal Efficiency	91 %	Tropicalization	YES
Nominal Power Factor	0.91 cosθ	Duty	Cont.
Full Load Torque Ft-Lb	29.504 Ft-Lb	Cable Entry	1.25
Temp Rise @ Full Load °C	52.2	Feet Removable	YES
Efficiency Level	IE3 - NEMA Premium	Double Drilled	NO

Load Data	RPM	Trq %FL	Current Amps	Mechanical Data	
Locked Rotor	-	250	187.1	Rated Ambient (°C)	40
Breakdown	-	302	-	Rated Altitude (M)	1000
Pull Up	-	140	-	Coating	7024 - Graphite Grey
125% of FL	3541	-	28	Shaft Grounding	NO
75% of FL	3567	-	16.98	Brake Voltage (DC)	
50% of FL	3578	-	12.1	Brake Torque (N-M)	
No Load	3594	-	5.47		

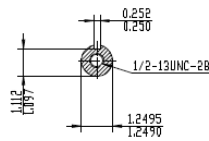
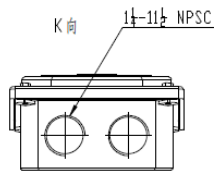
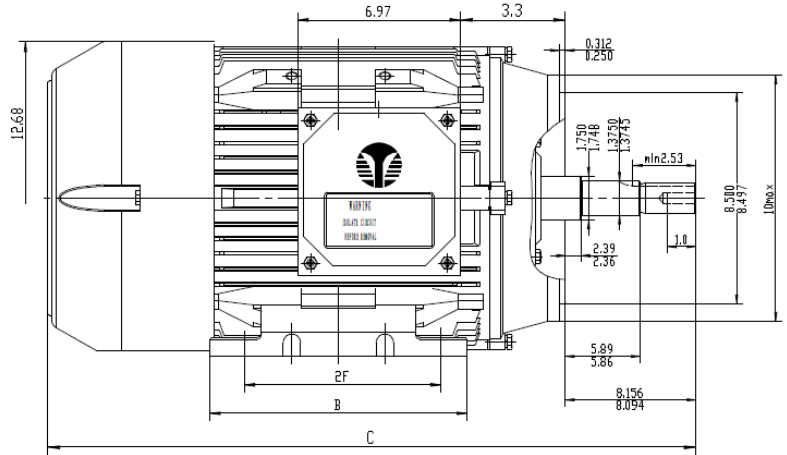
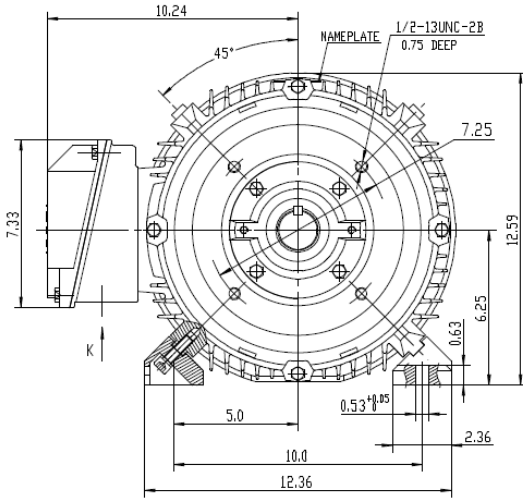
Hazardous Location	Class 1, Div 2, Grp A,B,C,D		Moment of Inertia	kg.m2
			Noise Level	Per NEMA dB (A)

CT VFD Range	--	Loaded Torque Curves		--
P1 = INPUT POWER (KW), S = Slip (% of Sync RPM), η = Efficiency (%), cosφ = Power Factor				


Certifications	UL	CSA	DOE
File Numbers	323353	224693	096A
Wiring Diagram	3PH 12 Lead Dual Voltage		



Model Number	GR3-CI-TF-256JP-2-BR-D-20-230 460-60
MFG PN	TFC256T20U2B
List Price	--
Base Frame	GR-256JP-CI-TF



Model	2F	B	C
254T	8.25	10.35	29.27
256T	8.25/10	12.05	31.01

 Shanghai HIMAK Electrical Machinery CO.,LTD		NEMA TEFC 250T JP		
		NO:	1HMY.010.JP004 CFC	
Design	Standard	STEP MARK	1:3	SORT
Checker	Allow	S		Cast iron Motor
Auditing	Date			