



Model Number GR3-CI-TF-256JM-4-BR-D-20-230|460-60

MFG PN TFC256T20U4B

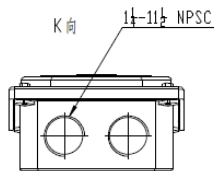
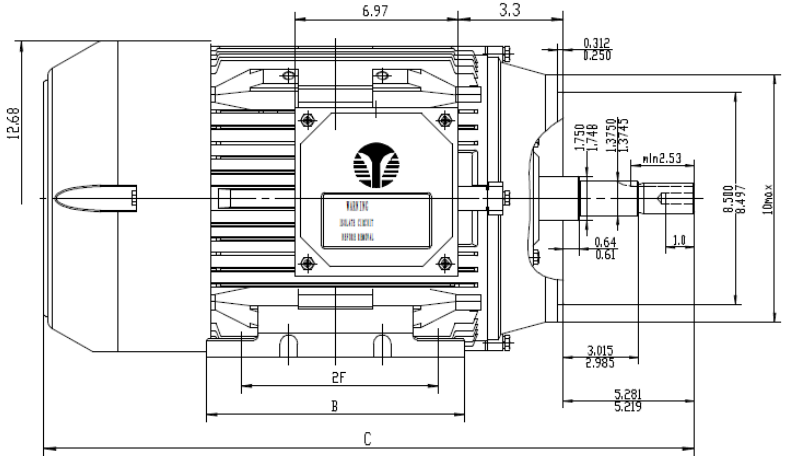
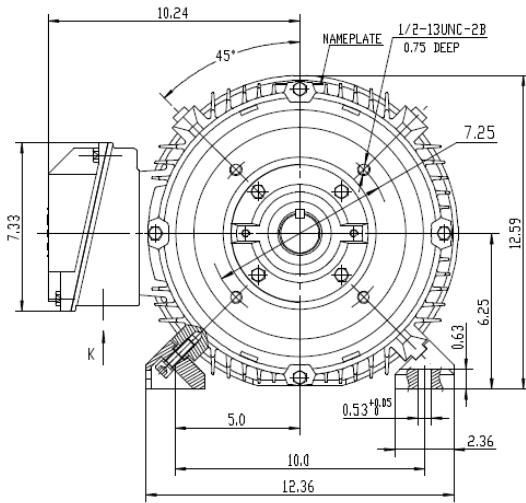
List Price --

All data shown at HIGH voltage setting


Format STD 3 Phase

| Electrical Data  |                             |         |              | General Data   |                      |
|--|-----------------------------|---------|--------------|--|----------------------|
| Rated Motor Output Power   | 20 HP                       |         |              | Frame Size   | 256                  |
| Rated Motor Speed  | 1770 r/min                  |         |              | Enclosure  | TEFC                 |
| Rated Motor Voltage (3 Phase)  | 230 460-60 Volts - HZ       |         |              | Approximate Weight   | 290.4                |
| Rated Motor Current  | 46.8/23.4 Amps              |         |              | NEMA Design  | BE                   |
| Service Factor   | 1.25                        |         |              | IP Rating  | 55                   |
| KVA Code   | K                           |         |              | Insulation Class   | F                    |
| Nominal Efficiency   | 93 %                        |         |              | Tropicalization  | YES                  |
| Nominal Power Factor   | 0.86 cosθ                   |         |              | Duty   | Cont.                |
| Full Load Torque Ft-Lb   | 71.84224 Ft-Lb              |         |              | Cable Entry  | 1.25                 |
| Temp Rise @ Full Load °C   | 50.6                        |         |              | Feet Removable   | YES                  |
| Efficiency Level   | IE3 - NEMA Premium          |         |              | Double Drilled   | NO                   |
| Load Data  | RPM                         | Trq %FL | Current Amps | Rated Ambient (°C)   | 40                   |
| Locked Rotor   | -                           | 280     | 211.2        | Rated Altitude (M)   | 1000                 |
| Breakdown  | -                           | 352     | -            | Coating  | 7024 - Graphite Grey |
| Pull Up  | -                           | 206     | -            | Shaft Grounding  | NO                   |
| 125% of FL   | 1763                        | -       | 28.8         | Brake Voltage (DC)   |                      |
| 75% of FL  | 1779                        | -       | 18.27        | Brake Torque (N-M)   |                      |
| 50% of FL  | 1787                        | -       | 13.84        | Mechanical Data  |                      |
| No Load  |                             | -       | 8.72         | Bearing DE Side  | 6309 C3              |
| Hazardous Location   | Class 1, Div 2, Grp A,B,C,D |         |              | Bearing NDE Side   | 6309 C3              |
|  |                             |         |              | Moment of Inertia  | kg.m2                |
|  |                             |         |              | Noise Level  | Per NEMA dB (A)      |
| CT VFD Range   |                             | --      |              | Loaded Torque Curves   |                      |
|  |                             |         |              | P1 = INPUT POWER (KW), S = Slip (% of Sync RPM), η = Efficiency (%), cosφ = Power Factor |                      |
| Certifications   | UL                          | CSA     | DOE          |  |                      |
| File Numbers   | 323353                      | 224693  | 096A         |  |                      |
| Wiring Diagram   | 3PH 12 Lead Dual Voltage    |         |              |  |                      |
|  |                             |         |              |  |                      |
| <p>Techtop Industries -2815 Colonnades Court - Peachtree Corners, GA 30071 - Phone: (678) 436-5540</p> |                             |         |              |  |                      |

|              |                                      |
|--------------|--------------------------------------|
| Model Number | GR3-CI-TF-256JM-4-BR-D-20-230 460-60 |
| MFG PN       | TFC256T20U4B                         |
| List Price   | --                                   |
| Base Frame   | GR-256JM-CI-TF                       |



| Model | 2F      | B     | C     |
|-------|---------|-------|-------|
| 254T  | 8.25    | 10.35 | 26.39 |
| 256T  | 8.25/10 | 12.05 | 28.13 |

|  |          |                   |                          |  |  |
|--|----------|-------------------|--------------------------|--|--|
| <br>Shanghai HIMAK Electrical Machinery CO.,LTD |          | NEMA TEFC 250T JM |                          |  |  |
|  |          | NO:               | 1HMY.010.JM004 CFC       |  |  |
| Design   | Standard | STEP MARK         | 1:3 SORT Cost iron Motor |  |  |
| Checker  | Allow    | S                 |                          |  |  |
| Auditing   | Date     |                   |                          |  |  |