



**Model Number** GR3-CI-TF-256JM-2-BR-D-20-230|460-60

**MFG PN** TFC256T20U2B

**List Price** --

All data shown at HIGH voltage setting

Format | STD 3 Phase

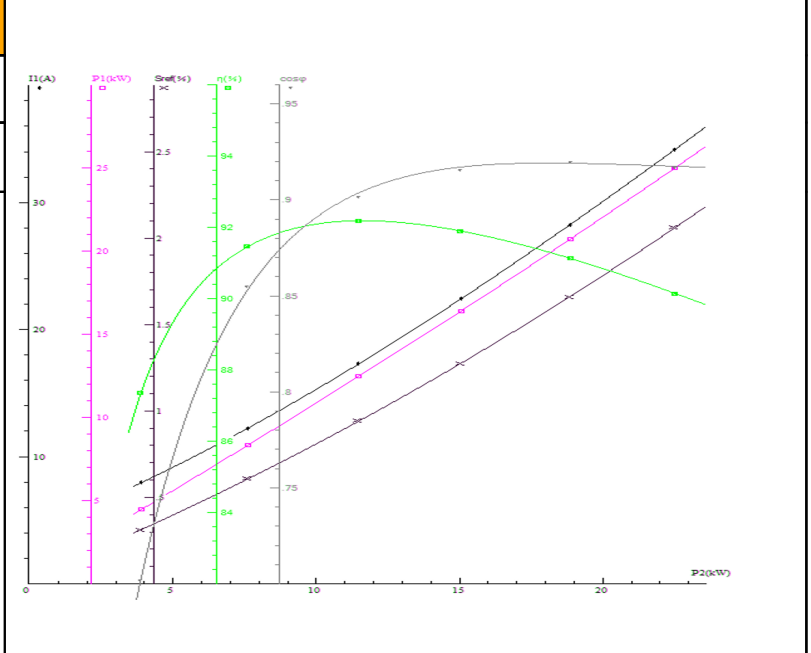
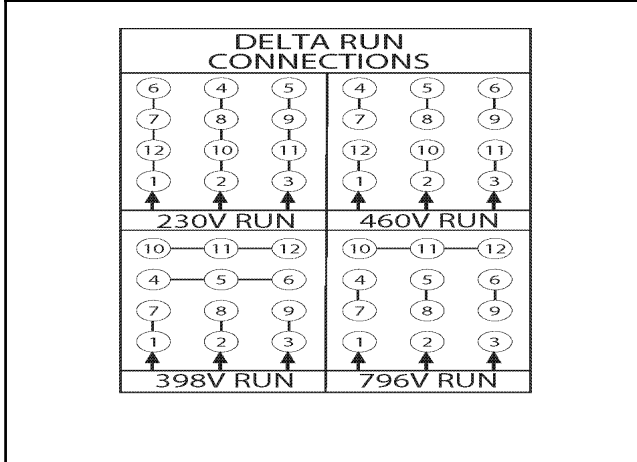
| Electrical Data               |                       | General Data       |       |
|-------------------------------|-----------------------|--------------------|-------|
| Rated Motor Output Power      | 20 HP                 | Frame Size         | 256   |
| Rated Motor Speed             | 3550 r/min            | Enclosure          | TEFC  |
| Rated Motor Voltage (3 Phase) | 230 460-60 Volts - HZ | Approximate Weight | 271.2 |
| Rated Motor Current           | 45.2/22.6 Amps        | NEMA Design        | BE    |
| Service Factor                | 1.25                  | IP Rating          | 55    |
| KVA Code                      | J                     | Insulation Class   | F     |
| Nominal Efficiency            | 91 %                  | Tropicalization    | YES   |
| Nominal Power Factor          | 0.91 cosθ             | Duty               | Cont. |
| Full Load Torque Ft-Lb        | 29.504 Ft-Lb          | Cable Entry        | 1.25  |
| Temp Rise @ Full Load °C      | 52.2                  | Feet Removable     | YES   |
| Efficiency Level              | IE3 - NEMA Premium    | Double Drilled     | NO    |

| Load Data    | RPM  | Trq %FL | Current Amps | Mechanical Data    |                      |
|--------------|------|---------|--------------|--------------------|----------------------|
| Locked Rotor | -    | 250     | 187.1        | Rated Ambient (°C) | 40                   |
| Breakdown    | -    | 302     | -            | Rated Altitude (M) | 1000                 |
| Pull Up      | -    | 140     | -            | Coating            | 7024 - Graphite Grey |
| 125% of FL   | 3541 | -       | 28           | Shaft Grounding    | NO                   |
| 75% of FL    | 3567 | -       | 16.98        | Brake Voltage (DC) |                      |
| 50% of FL    | 3578 | -       | 12.1         | Brake Torque (N-M) |                      |
| No Load      | 3594 | -       | 5.47         |                    |                      |

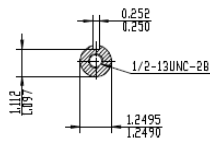
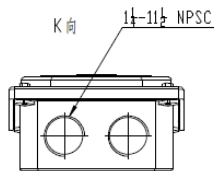
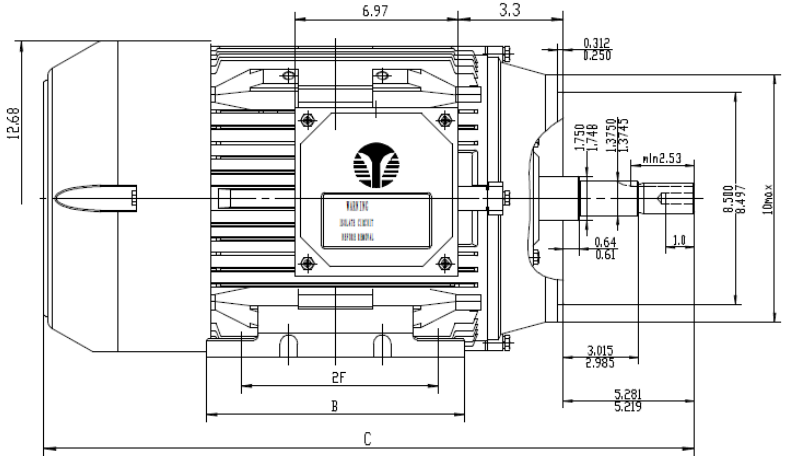
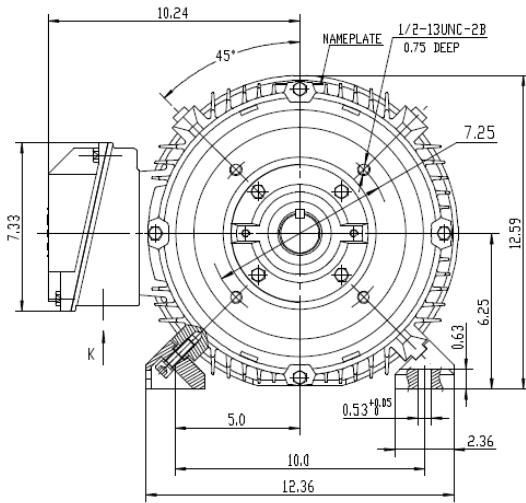
|                    |                             |  |  |                   |                 |
|--------------------|-----------------------------|--|--|-------------------|-----------------|
| Hazardous Location | Class 1, Div 2, Grp A,B,C,D |  |  | Bearing DE Side   | 6309 C3         |
|                    |                             |  |  | Bearing NDE Side  | 6309 C3         |
|                    |                             |  |  | Moment of Inertia | kg.m2           |
|                    |                             |  |  | Noise Level       | Per NEMA dB (A) |

|   |    |                             |    |
|---|----|-----------------------------|----|
| CT VFD Range  | -- | <b>Loaded Torque Curves</b> | -- |
| <b>P1 = INPUT POWER (KW), S = Slip (% of Sync RPM), η = Efficiency (%), cosφ = Power Factor</b> |    |                             |    |


|                |                          |        |      |
|----------------|--------------------------|--------|------|
| Certifications | UL                       | CSA    | DOE  |
| File Numbers   | 323353                   | 224693 | 096A |
| Wiring Diagram | 3PH 12 Lead Dual Voltage |        |      |



|              |                                      |
|--------------|--------------------------------------|
| Model Number | GR3-CI-TF-256JM-2-BR-D-20-230 460-60 |
| MFG PN       | TFC256T20U2B                         |
| List Price   | --                                   |
| Base Frame   | GR-256JM-CI-TF                       |



| Model | 2F      | B     | C     |
|-------|---------|-------|-------|
| 254T  | 8.25    | 10.35 | 26.39 |
| 256T  | 8.25/10 | 12.05 | 28.13 |

|  |          |                   |                          |  |
|--|----------|-------------------|--------------------------|--|
| <br>ShangHai HIMAK Electrical Machinery CO.,LTD |          | NEMA TEFC 250T JM |                          |  |
|  |          | NO:               | 1HMY.010.JM004 CFC       |  |
| Design   | Standard | STEP MARK         | 1:3 SORT Cost iron Motor |  |
| Checker  | Allow    | S                 |                          |  |
| Auditing   | Date     |                   |                          |  |