



Model Number GR3-CI-TF-254TC-6-BR-D-7.5-230|460-60

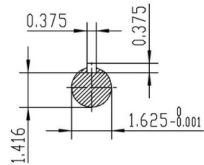
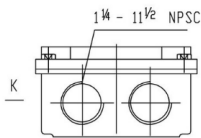
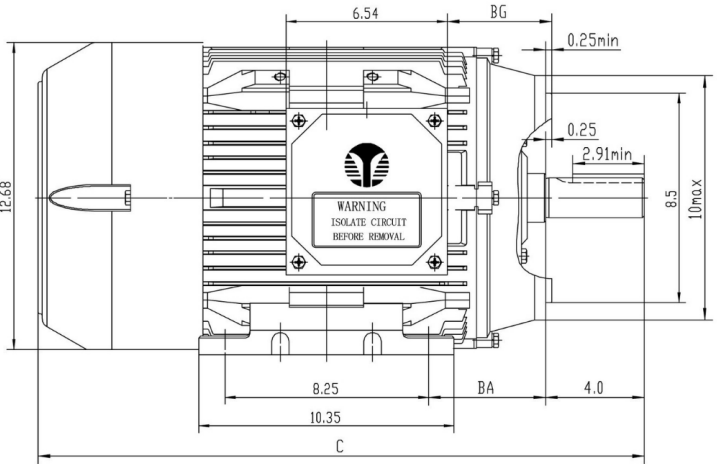
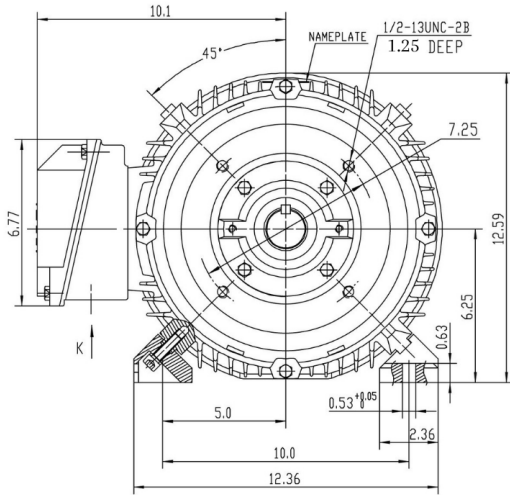
MFG PN T254T7.5U6B

List Price --


All data shown at HIGH voltage setting

Format STD 3 Phase

Electrical Data				General Data	
Rated Motor Output Power	7.5 HP			Frame Size	254
Rated Motor Speed	1175 r/min			Enclosure	TEFC
Rated Motor Voltage (3 Phase)	230 460-60 Volts - HZ			Approximate Weight	246.4
Rated Motor Current	20.8/10.4 Amps			NEMA Design	BE
Service Factor	1.25			IP Rating	55
KVA Code	K			Insulation Class	F
Nominal Efficiency	91 %			Tropicalization	YES
Nominal Power Factor	0.74 cosθ			Duty	Cont
Full Load Torque Ft-Lb	32.89696 Ft-Lb			Cable Entry	1.25
Temp Rise @ Full Load °C	37.7			Feet Removable	YES
Efficiency Level	IE3 - NEMA Premium			Double Drilled	NO
Load Data	RPM	Trq %FL	Current Amps	Rated Ambient (°C)	40
Locked Rotor	-	184	67.71	Rated Altitude (M)	1000
Breakdown	-	288	-	Coating	7024 - Graphite Grey
Pull Up	-	141	-	Shaft Grounding	NO
125% of FL	1169	-	12.25	Brake Voltage (DC)	--
75% of FL	1184	-	8.18	Brake Torque (N-M)	--
50% of FL	1190	-	6.66	Mechanical Data	
No Load	1199	-	5.22	Bearing DE Side	6309 C3
Hazardous Location	Class 1, Div 2, Grp A,B,C,D			Bearing NDE Side	6309 C3
				Moment of Inertia	-- kg.m2
				Noise Level	Per NEMA dB (A)
CT VFD Range		--		Loaded Torque Curves	
				P1 = INPUT POWER (KW), S = Slip (% of Sync RPM), η = Efficiency (%), cosφ = Power Factor	
Certifications	UL	CSA	DOE		
File Numbers	323353	224693	096A		
Wiring Diagram	3PH 12 Lead Dual Voltage				
<p>Techtop Industries -2815 Colonnades Court - Peachtree Corners, GA 30071 - Phone: (678) 436-5540</p>					



Model	BA	BG	C	NO.
254 KITC	4.25	3.74	24.28	BHMY.010.C064

 ShangHai HIMAK Electrical Machinery CO.,LTD			TEFC 254TC/KITC CFC	
			NO:	1HMY.010.C063-064
Design	yang	Standard	STEP MARK	1:3.5 SORT Cast iron Motor
Checker		Allow		
Auditing		Date		