



**Model Number** GR3-CI-TF-254TC-2-BR-D-15-230|460-60

**MFG PN** TFC254T15U2B

**List Price** --

All data shown at HIGH voltage setting

Format | STD 3 Phase

| Electrical Data               |                       | General Data       |       |
|-------------------------------|-----------------------|--------------------|-------|
| Rated Motor Output Power      | 15 HP                 | Frame Size         | 254   |
| Rated Motor Speed             | 3550 r/min            | Enclosure          | TEFC  |
| Rated Motor Voltage (3 Phase) | 230 460-60 Volts - HZ | Approximate Weight | 295   |
| Rated Motor Current           | 33.6/16.8 Amps        | NEMA Design        | BE    |
| Service Factor                | 1.25                  | IP Rating          | 55    |
| KVA Code                      | K                     | Insulation Class   | F     |
| Nominal Efficiency            | 91 %                  | Tropicalization    | YES   |
| Nominal Power Factor          | 0.92 cosθ             | Duty               | Cont. |
| Full Load Torque Ft-Lb        | 27.2912 Ft-Lb         | Cable Entry        | 1.25  |
| Temp Rise @ Full Load °C      | 56.8                  | Feet Removable     | YES   |
| Efficiency Level              | IE3 - NEMA Premium    | Double Drilled     | NO    |

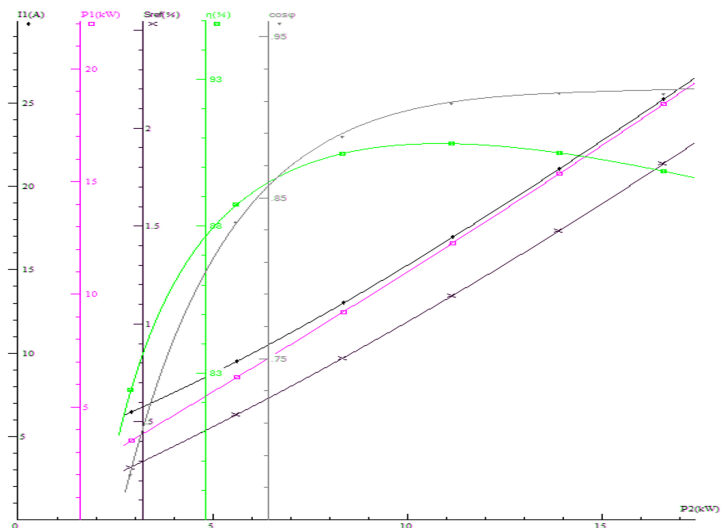
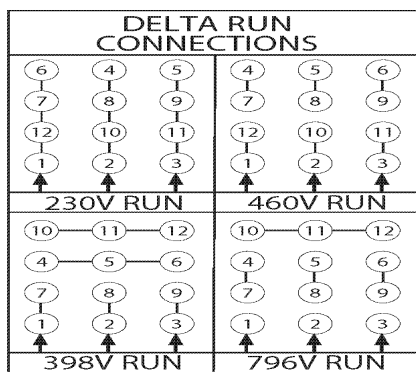
| Load Data    | RPM  | Trq %FL | Current Amps | Mechanical Data   |                 |
|--------------|------|---------|--------------|-------------------|-----------------|
| Locked Rotor | -    | 297     | 151.2        | Bearing DE Side   | 6309 C3         |
| Breakdown    | -    | 317     | -            | Bearing NDE Side  | 6309 C3         |
| Pull Up      | -    | 147     | -            | Moment of Inertia | kg.m2           |
| 125% of FL   | 3547 | -       | 20.83        | Noise Level       | Per NEMA dB (A) |
| 75% of FL    | 3570 | -       | 12.87        |                   |                 |
| 50% of FL    | 3581 | -       | 9.37         |                   |                 |
| No Load      | 3595 | -       | 7.6          |                   |                 |

|                    |                             |  |                    |    |
|--------------------|-----------------------------|--|--------------------|----|
| Hazardous Location | Class 1, Div 2, Grp A,B,C,D |  | Rated Ambient (°C) | 40 |
|--------------------|-----------------------------|--|--------------------|----|

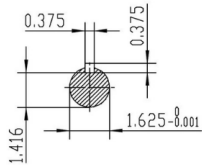
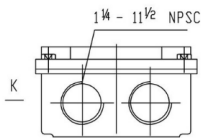
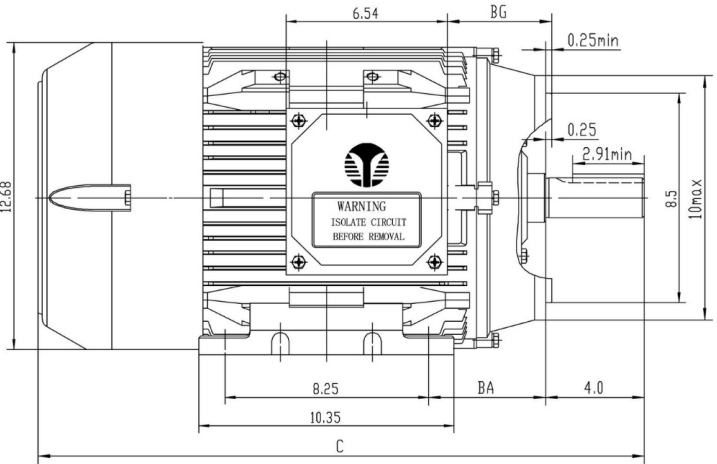
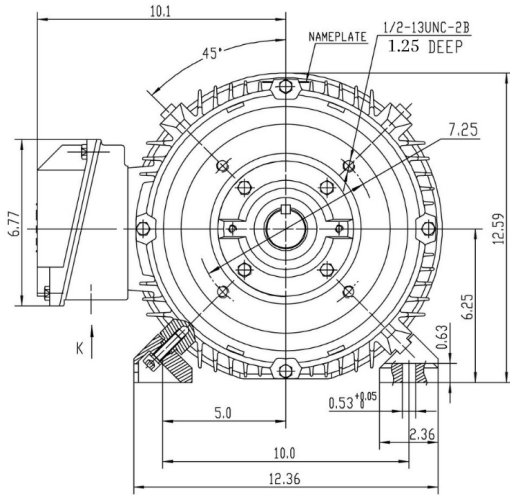
|   |    |                             |  |    |
|---|----|-----------------------------|--|----|
| CT VFD Range  | -- | <b>Loaded Torque Curves</b> |  | -- |
| <b>P1 = INPUT POWER (KW), S = Slip (% of Sync RPM), η = Efficiency (%), cosφ = Power Factor</b> |    |                             |  |    |

|                |        |        |      |
|----------------|--------|--------|------|
| Certifications | UL     | CSA    | DOE  |
| File Numbers   | 323353 | 224693 | 096A |


**Wiring Diagram** 3PH 12 Lead Dual Voltage



|              |                                      |
|--------------|--------------------------------------|
| Model Number | GR3-CI-TF-254TC-2-BR-D-15-230 460-60 |
| MFG PN       | TFC254T15U2B                         |
| List Price   | --                                   |
| Base Frame   | GR-254TC-CI-TF                       |



| Model    | BA   | BG   | C     | NO.           |
|----------|------|------|-------|---------------|
| 254 KITC | 4.25 | 3.74 | 24.28 | BHMY.010.C064 |

|   |      |          |                     |                   |
|---|------|----------|---------------------|-------------------|
| <br>ShangHai HIMAK Electrical Machinery CO.,LTD |      |          | TEFC 254TC/KITC CFC |                   |
|   |      |          | NO:                 | 1HMY.010.C063-064 |
| Design  | yang | Standard | STEP MARK           | 1:3.5 SORT        |
| Checker   |      | Allow    |                     | Cast iron Motor   |
| Auditing  |      | Date     |                     |                   |