



Model Number GR3-CI-TF-254T-2-BR-D-15-230|460-60

MFG PN TFC254T15U2B

List Price --

All data shown at HIGH voltage setting

Format STD 3 Phase

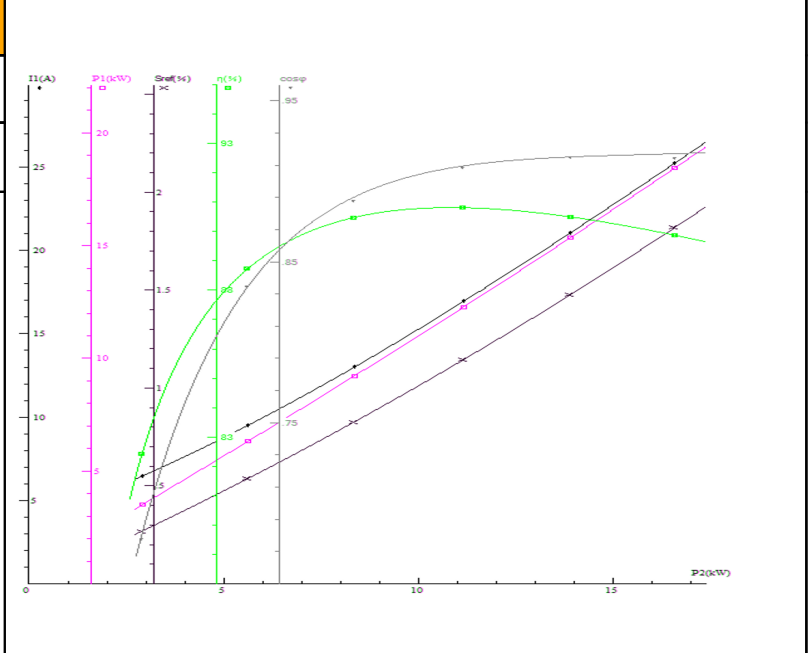
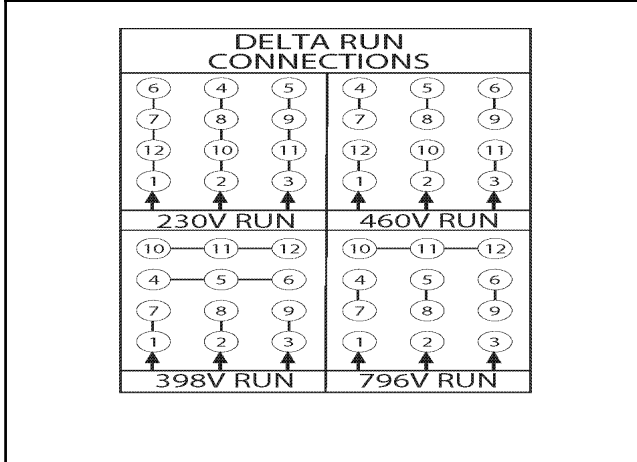
| Electrical Data | | General Data | |
|-------------------------------|-----------------------|--------------------|-------|
| Rated Motor Output Power | 15 HP | Frame Size | 254 |
| Rated Motor Speed | 3550 r/min | Enclosure | TEFC |
| Rated Motor Voltage (3 Phase) | 230 460-60 Volts - HZ | Approximate Weight | 295 |
| Rated Motor Current | 33.6/16.8 Amps | NEMA Design | BE |
| Service Factor | 1.25 | IP Rating | 55 |
| KVA Code | K | Insulation Class | F |
| Nominal Efficiency | 91 % | Tropicalization | YES |
| Nominal Power Factor | 0.92 cosθ | Duty | Cont. |
| Full Load Torque Ft-Lb | 27.2912 Ft-Lb | Cable Entry | 1.25 |
| Temp Rise @ Full Load °C | 56.8 | Feet Removable | YES |
| Efficiency Level | IE3 - NEMA Premium | Double Drilled | NO |

| Load Data | RPM | Trq %FL | Current Amps | Mechanical Data | |
|--------------|------|---------|--------------|-------------------|-----------------|
| Locked Rotor | - | 297 | 151.2 | Bearing DE Side | 6309 C3 |
| Breakdown | - | 317 | - | Bearing NDE Side | 6309 C3 |
| Pull Up | - | 147 | - | Moment of Inertia | kg.m2 |
| 125% of FL | 3547 | - | 20.83 | Noise Level | Per NEMA dB (A) |
| 75% of FL | 3570 | - | 12.87 | | |
| 50% of FL | 3581 | - | 9.37 | | |
| No Load | 3595 | - | 7.6 | | |

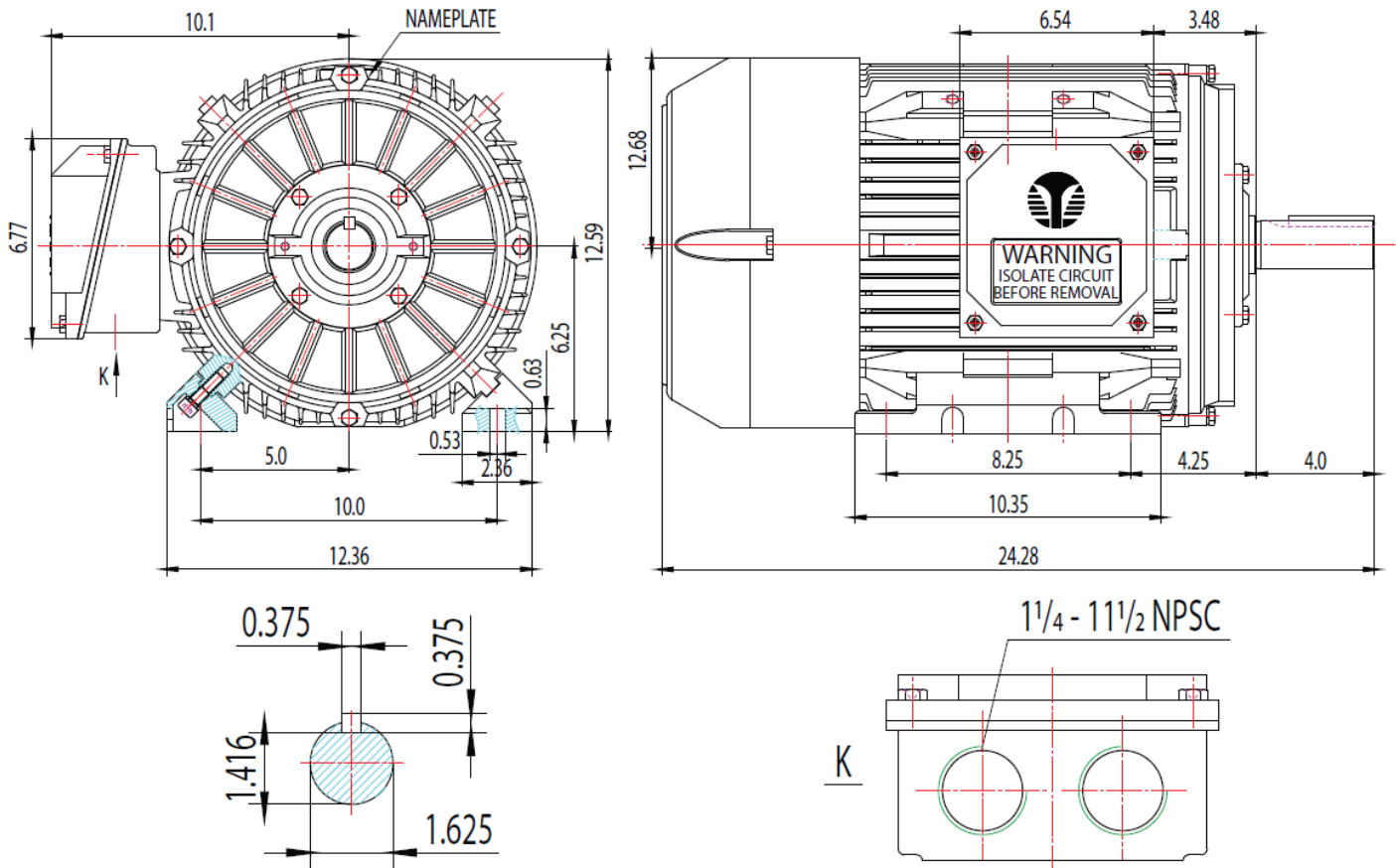
| | | | | |
|--------------------|-----------------------------|--|--------------------|----|
| Hazardous Location | Class 1, Div 2, Grp A,B,C,D | | Rated Ambient (°C) | 40 |
|--------------------|-----------------------------|--|--------------------|----|

| | | | |
|---|----|----------------------|----|
| CT VFD Range | -- | Loaded Torque Curves | -- |
| $P_1 = \text{INPUT POWER (KW)}$, $S = \text{Slip (\% of Sync RPM)}$, $\eta = \text{Efficiency (\%)}$, $\cos\phi = \text{Power Factor}$ | | | |

| | | | |
|----------------|--------------------------|--------|------|
| Certifications | UL | CSA | DOE |
| File Numbers | 323353 | 224693 | 096A |
| Wiring Diagram | 3PH 12 Lead Dual Voltage | | |



| | |
|--------------|-------------------------------------|
| Model Number | GR3-CI-TF-254T-2-BR-D-15-230 460-60 |
| MFG PN | TFC254T15U2B |
| List Price | -- |
| Base Frame | GR-254T-CI-TF |



TECHTOP
 MATERIAL: ALUMINUM
 UNITS: INCH BY: SSEE
 DRAWN: 6/18/2018
 WWW.TECHTOP.COM

MODEL NUMBER:
 GR3-CI-TF-254T
 MFG PN:

| REV. | BY | DATE |
|------|----|------|
| 1 | | |
| 2 | | |
| 3 | | |
| 4 | | |
| 5 | | |
| 6 | | |
| 7 | | |

CHANGES