



Model Number GR3-CI-TF-254JM-4-BR-D-15-230|460-60

MFG PN TFC254T15U4B

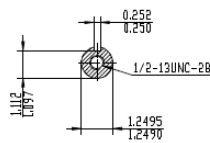
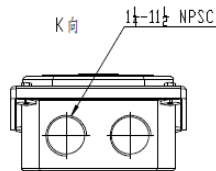
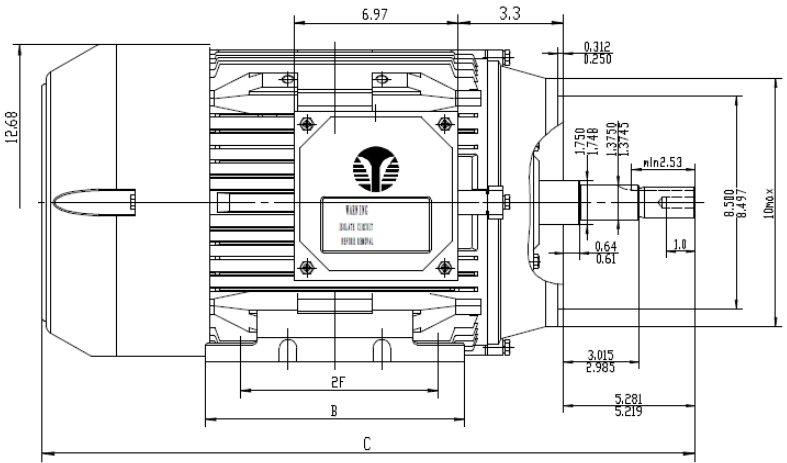
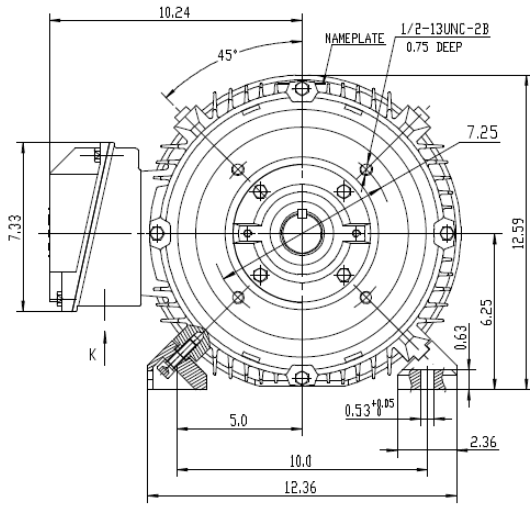
List Price --

All data shown at HIGH voltage setting

Format STD 3 Phase

Electrical Data				General Data	
Rated Motor Output Power	15 HP			Frame Size	254
Rated Motor Speed	1770 r/min			Enclosure	TEFC
Rated Motor Voltage (3 Phase)	230 460-60 Volts - HZ			Approximate Weight	246.4
Rated Motor Current	35.4/17.7 Amps			NEMA Design	BE
Service Factor	1.25			IP Rating	55
KVA Code	J			Insulation Class	F
Nominal Efficiency	92.4 %			Tropicalization	YES
Nominal Power Factor	0.86 cosθ			Duty	Cont.
Full Load Torque Ft-Lb	44.256 Ft-Lb			Cable Entry	1.25
Temp Rise @ Full Load °C	30.1			Feet Removable	YES
Efficiency Level	IE3 - NEMA Premium			Double Drilled	NO
Load Data	RPM	Trq %FL	Current Amps	Rated Ambient (°C)	40
Locked Rotor	-	250	142	Rated Altitude (M)	1000
Breakdown	-	327	-	Coating	7024 - Graphite Grey
Pull Up	-	171	-	Shaft Grounding	NO
125% of FL	1763	-	21.79	Brake Voltage (DC)	
75% of FL	1779	-	13.84	Brake Torque (N-M)	
50% of FL	1787	-	10.56	Mechanical Data	
No Load	1797	-	6.87	Bearing DE Side	6309 C3
Hazardous Location	Class 1, Div 2, Grp A,B,C,D			Bearing NDE Side	6309 C3
				Moment of Inertia	kg.m2
				Noise Level	Per NEMA dB (A)
CT VFD Range		--		Loaded Torque Curves	
				P1 = INPUT POWER (KW), S = Slip (% of Sync RPM), η = Efficiency (%), cosφ = Power Factor	
Certifications	UL	CSA	DOE		
File Numbers	323353	224693	096A		
Wiring Diagram	3PH 12 Lead Dual Voltage				
<p>Techtop Industries -2815 Colonnades Court - Peachtree Corners, GA 30071 - Phone: (678) 436-5540</p>					

Model Number	GR3-CI-TF-254JM-4-BR-D-15-230 460-60
MFG PN	TFC254T15U4B
List Price	--
Base Frame	GR-254JM-CI-TF



Model	2F	B	C
254T	8.25	10.35	26.39
256T	8.25/10	12.05	28.13

TECHTOP		NEMA TEFC 250T JM	
ShangHai HIMAK Electrical Machinery CO.,LTD		NO:	1HMY.010.JM004 CFC
Design	Standard	STEP MARK	1:3 SDR1 Cast iron Motor
Checker	Allow	S	
Auditing	Date		