



Model Number	GR3-CI-TF-225SB35-4-BR-D-50-230 460-60
MFG PN	T 225S-4
List Price	--

All data shown at HIGH voltage setting

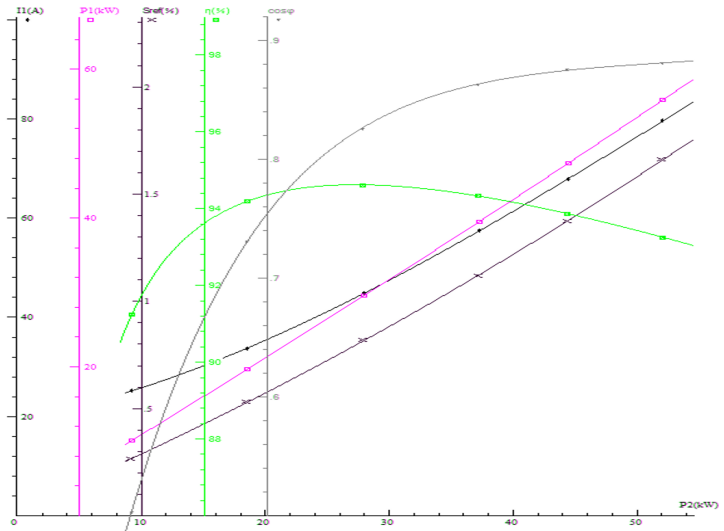
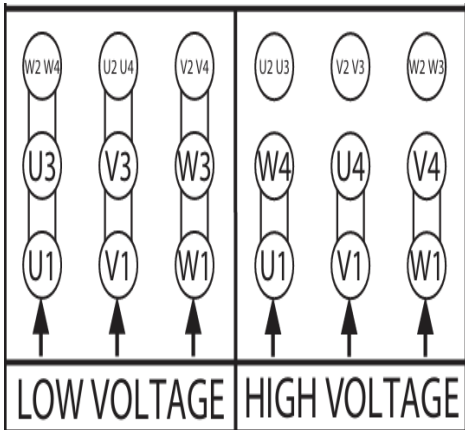
Format | STD 3 Phase

Electrical Data				General Data	
Rated Motor Output Power	50 HP			Frame Size	225
Rated Motor Speed	1770 r/min			Enclosure	TEFC
Rated Motor Voltage (3 Phase)	230 460-60 Volts - HZ			Approximate Weight	732.6
Rated Motor Current	113.0/56.5 Amps			NEMA Design	A
Service Factor	1.15			IP Rating	55
KVA Code	J			Insulation Class	F
Nominal Efficiency	94.5 %			Tropicalization	YES
Nominal Power Factor	0.87 cosθ			Duty	Cont.
Full Load Torque Ft-Lb	0 Ft-Lb			Cable Entry	M50 X 1.5
Temp Rise @ Full Load °C	61.1			Feet Removable	YES
Efficiency Level	IE3 - NEMA Premium			Double Drilled	NO
Load Data	RPM	Trq %FL	Current Amps	Rated Ambient (°C)	40
Locked Rotor	-	287	313	Rated Altitude (M)	1000
Breakdown	-	297	-	Coating	7024 - Graphite Grey
Pull Up	-	274	-	Shaft Grounding	NO
125% of FL	1776	-	71.7	Brake Voltage (DC)	--
75% of FL	1787	-	45.3	Brake Torque (N-M)	--
50% of FL	1791	-	34	Mechanical Data	
No Load	1794	-	22	Bearing DE Side	6312 C3
Hazardous Location	Class 1, Div 2, Grp A,B,C,D			Bearing NDE Side	6312 C3
				Moment of Inertia	-- kg.m2
				Noise Level	Per NEMA dB (A)

CT VFD Range	--	Loaded Torque Curves	--
P1 = INPUT POWER (KW), S = Slip (% of Sync RPM), η = Efficiency (%), cosφ = Power Factor			

Certifications	UL	CSA	DOE
File Numbers	323353	224693	096A

Wiring Diagram 3PH 12 Lead IEC Dual Voltage



FRAME: 225SB35 HP: RPM: PHASE: 3 VOLT: ENCL: TEFC FREQ: 60 Hz FLA: LRA:

