



**Model Number** GR3-CI-TF-215TC-6-B-D-5-230|460-60

**MFG PN** TFC215T5U6B

**List Price** --

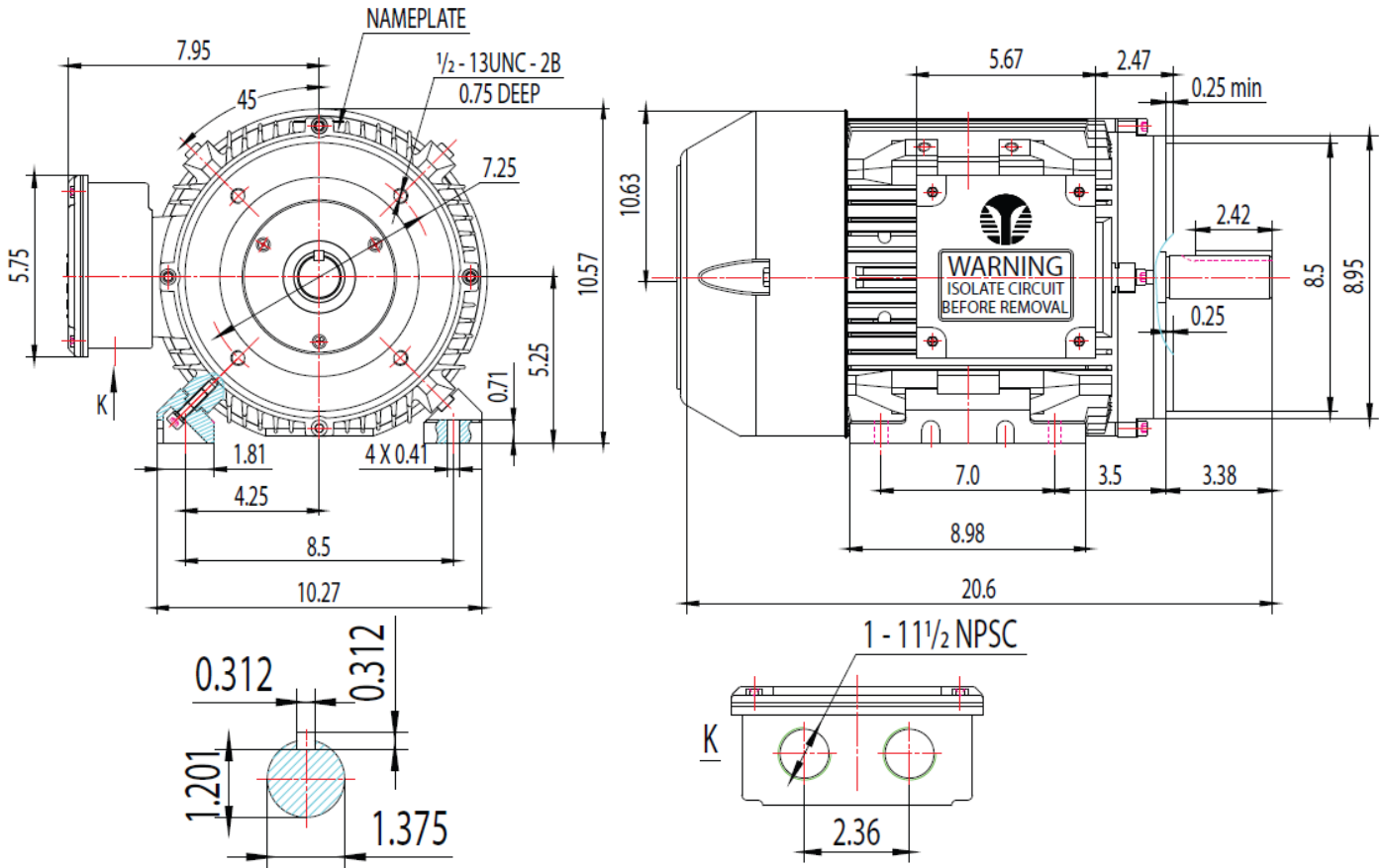
All data shown at HIGH voltage setting


Format | STD 3 Phase

Electrical Data				General Data	
Rated Motor Output Power	5 HP			Frame Size	215
Rated Motor Speed	1175 r/min			Enclosure	TEFC
Rated Motor Voltage (3 Phase)	230 460-60 Volts - HZ			Approximate Weight	171.6
Rated Motor Current	13.8/6.9 Amps			NEMA Design	BE
Service Factor	1.25			IP Rating	55
KVA Code	K			Insulation Class	F
Nominal Efficiency	89.5 %			Tropicalization	YES
Nominal Power Factor	0.76 cosθ			Duty	Cont.
Full Load Torque Ft-Lb	22.128 Ft-Lb			Cable Entry	1.25
Temp Rise @ Full Load °C				Feet Removable	YES
Efficiency Level	IE3 - NEMA Premium			Double Drilled	NO
Load Data	RPM	Trq %FL	Current Amps	Rated Ambient (°C)	40
Locked Rotor	-	241	7.66	Rated Altitude (M)	1000
Breakdown	-	318	-	Coating	7024 - Graphite Grey
Pull Up	-	157	-	Shaft Grounding	NO
125% of FL	1169	-	8.19	Brake Voltage (DC)	
75% of FL	1183	-	5.54	Brake Torque (N-M)	
50% of FL	1189	-	4.54	Mechanical Data	
No Load	1198	-	3.58	Bearing DE Side	6308 ZZ
Hazardous Location	Class 1, Div 2, Grp A,B,C,D			Bearing NDE Side	6308 ZZ
				Moment of Inertia	kg.m2
				Noise Level	Per NEMA dB (A)
CT VFD Range		--		Loaded Torque Curves	
				P1 = INPUT POWER (KW), S = Slip (% of Sync RPM), η = Efficiency (%), cosφ = Power Factor	
Certifications	UL	CSA	DOE		
File Numbers	323353	224693	096A		
Wiring Diagram	3PH 9 Lead Dual Voltage				
<b>3 Phase - YY/Y - 9 Lead</b> 4,1 Blue / 5,2 White / 6,3 Org / 7 Yl / 8 Blk / 9 RD Cast Iron- 1,2,3 Top - 4,5,6,7,8,9 Bottom Aluminum - 4,5,6,8,9 Top - 1,2,3,7 Bottom					
<b>CONNECTIONS</b> 					

Model Number	GR3-CI-TF-215TC-6-B-D-5-230 460-60
MFG PN	TFC215T5U6B
List Price	--
Base Frame	GR-215TC-CI-TF

FRAME: 215TC | HP: | RPM: | PHASE: 3 | VOLT: 208 - 230/460V | ENCL: TEFC | FREQ: 60 Hz | FLA: | LRA:



 MATERIAL: UNITS: INCH BY: SSEE DRAWN: 6/18/2018 WWW.TECHTOP.COM	MODEL NUMBER:	REV:	BY:	DATE:	CHANGES:
	GR3-CI-TF-215TC	1			
	MFG PN:	2			
		3			
		4			
		5			
		6			
	7				