



Model Number GR3-CI-TF-215T-4-B-D-10-230|460-60

MFG PN TFC215T10U4B

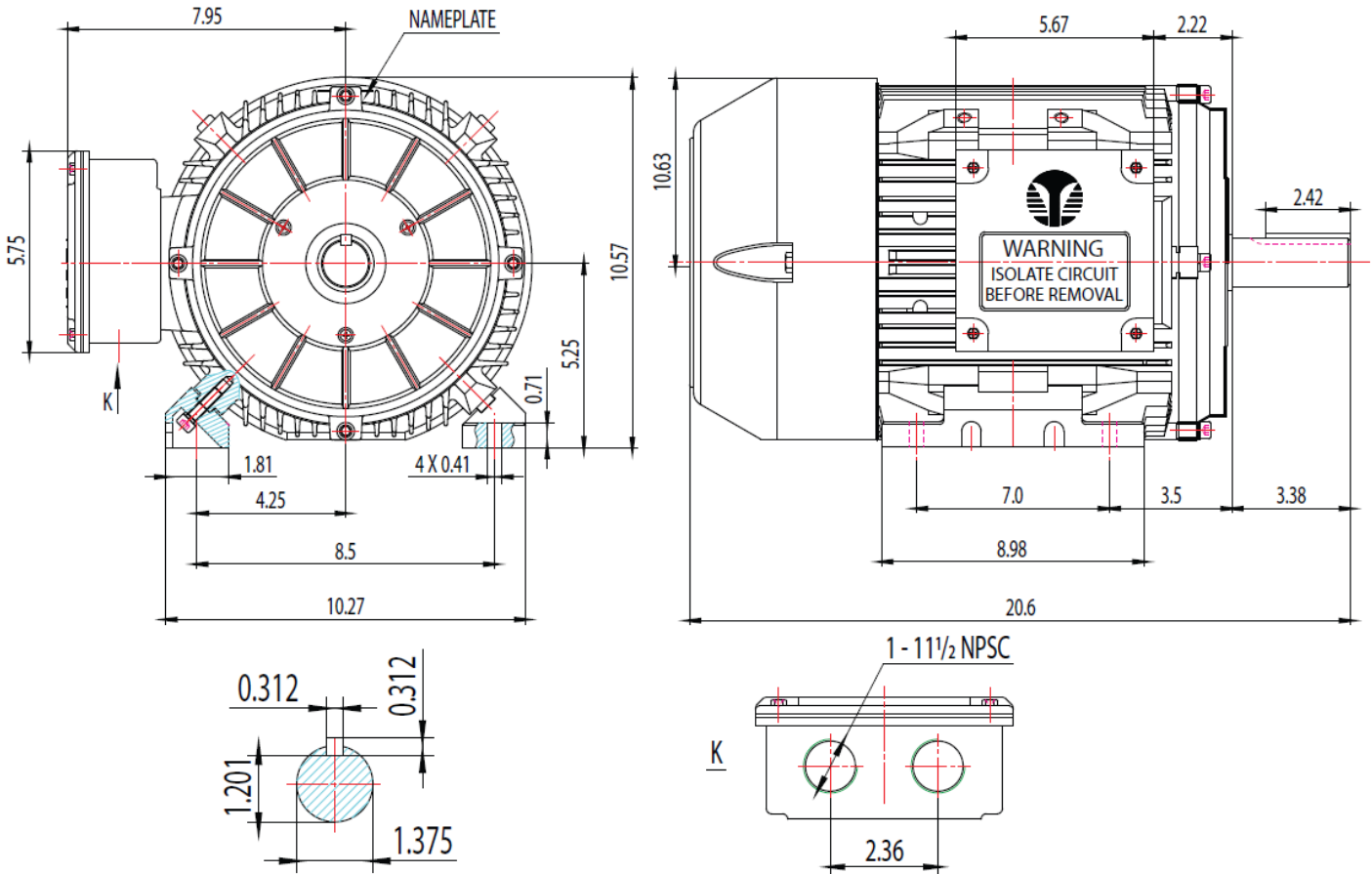
List Price --

All data shown at HIGH voltage setting

Format | STD 3 Phase

Electrical Data				General Data	
Rated Motor Output Power	10 HP			Frame Size	215
Rated Motor Speed	1750 r/min			Enclosure	TEFC
Rated Motor Voltage (3 Phase)	230 460-60 Volts - HZ			Approximate Weight	176
Rated Motor Current	23.8/11.9 Amps			NEMA Design	A
Service Factor	1.25			IP Rating	55
KVA Code	J			Insulation Class	F
Nominal Efficiency	91.7 %			Tropicalization	YES
Nominal Power Factor	0.86 cosθ			Duty	Cont.
Full Load Torque Ft-Lb	38.3552 Ft-Lb			Cable Entry	1.25
Temp Rise @ Full Load °C	51.3			Feet Removable	YES
Efficiency Level	IE3 - NEMA Premium			Double Drilled	NO
Load Data	RPM	Trq %FL	Current Amps	Rated Ambient (°C)	40
Locked Rotor	-	212	93.82	Rated Altitude (M)	1000
Breakdown	-	269	-	Coating	7024 - Graphite Grey
Pull Up	-	101	-	Shaft Grounding	NO
125% of FL	1779	-	14.87	Brake Voltage (DC)	
75% of FL	1767	-	8.94	Brake Torque (N-M)	
50% of FL	1779	-	6.48	Mechanical Data	
No Load	1795	-	3.67	Bearing DE Side	6308ZZ
Hazardous Location	Class 1, Div 2, Grp A,B,C,D			Bearing NDE Side	6308ZZ
				Moment of Inertia	kg.m2
				Noise Level	Per NEMA dB (A)
CT VFD Range		--		Loaded Torque Curves	
				P1 = INPUT POWER (KW), S = Slip (% of Sync RPM), η = Efficiency (%), cosφ = Power Factor	
Certifications	UL	CSA	DOE		
File Numbers	323353	224693	096A		
Wiring Diagram	3PH 9 Lead Dual Voltage				
3 Phase - YY/Y - 9 Lead 4,1 Blue / 5,2 White / 6,3 Org / 7 Yl / 8 Blk / 9 RD Cast Iron- 1,2,3 Top - 4,5,6,7,8,9 Bottom Aluminum - 4,5,6,8,9 Top - 1,2,3,7 Bottom					
CONNECTIONS 					

Model Number	GR3-CI-TF-215T-4-B-D-10-230 460-60
MFG PN	TFC215T10U4B
List Price	--
Base Frame	GR-215T-CI-TF



MODEL NUMBER:	REV.	BY	DATE	CHANGES
GR3-CI-TF-215T	1			
MFG PN:	2			
	3			
	4			
	5			
	6			
	7			