



**Model Number** GR3-CI-TF-215T-2-B-D-10-230|460-60

**MFG PN** TFC215T10U2B

**List Price** --

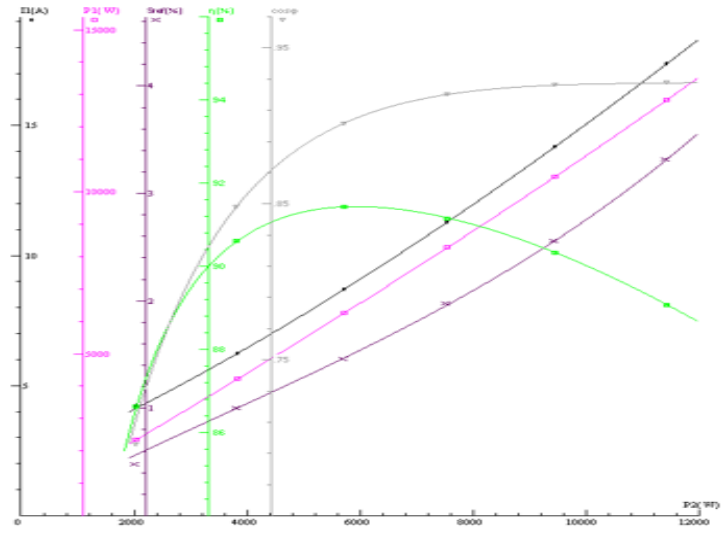
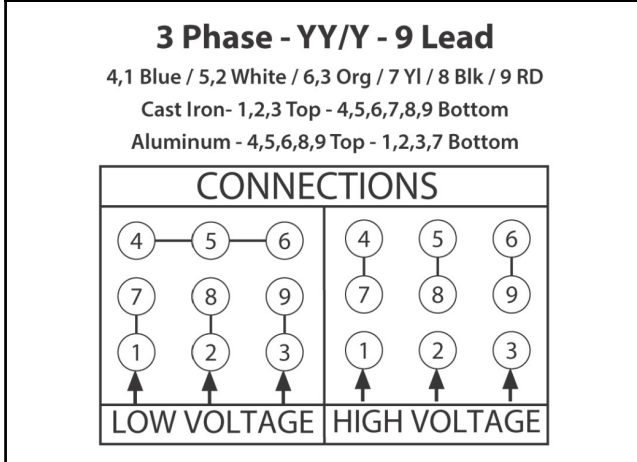
All data shown at HIGH voltage setting

Format | STD 3 Phase

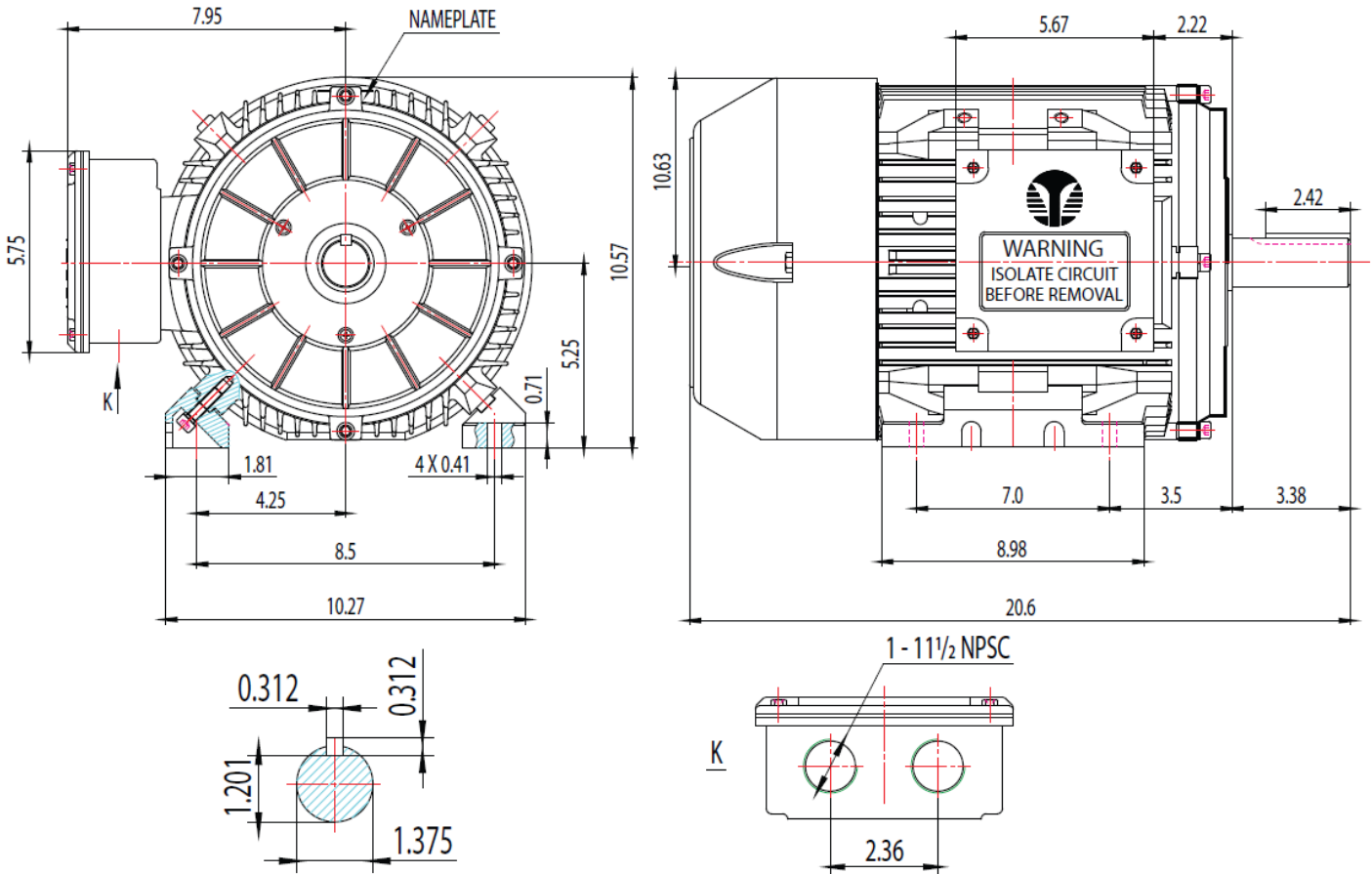
Electrical Data				General Data	
Rated Motor Output Power	10 HP			Frame Size	215
Rated Motor Speed	3520 r/min			Enclosure	TEFC
Rated Motor Voltage (3 Phase)	230 460-60 Volts - HZ			Approximate Weight	165
Rated Motor Current	22.6/11.3 Amps			NEMA Design	A
Service Factor	1.25			IP Rating	55
KVA Code	K			Insulation Class	F
Nominal Efficiency	90.2 %			Tropicalization	YES
Nominal Power Factor	0.92 cosθ			Duty	Cont.
Full Load Torque Ft-Lb	15.061792 Ft-Lb			Cable Entry	1.25
Temp Rise @ Full Load °C	49.3			Feet Removable	YES
Efficiency Level	IE3 - NEMA Premium			Double Drilled	NO
Load Data	RPM	Trq %FL	Current Amps	Rated Ambient (°C)	40
Locked Rotor	-	245	106.36	Rated Altitude (M)	1000
Breakdown	-	346	-	Coating	7024 - Graphite Grey
Pull Up	-	144	-	Shaft Grounding	NO
125% of FL	3508	-	14	Brake Voltage (DC)	
75% of FL	3548	-	8.5	Brake Torque (N-M)	
50% of FL	3564	-	6.14	Mechanical Data	
No Load	3592	-	3	Bearing DE Side	6308 ZZ
Hazardous Location	Class 1, Div 2, Grp A,B,C,D			Bearing NDE Side	6308 ZZ
				Moment of Inertia	kg.m2
				Noise Level	Per NEMA dB (A)

CT VFD Range	--	<b>Loaded Torque Curves</b>	--
<b>P1 = INPUT POWER (KW), S = Slip (% of Sync RPM), η = Efficiency (%), cosφ = Power Factor</b>			

Certifications	UL	CSA	DOE
File Numbers	323353	224693	096A
Wiring Diagram	3PH 9 Lead Dual Voltage		



Model Number	GR3-CI-TF-215T-2-B-D-10-230 460-60
MFG PN	TFC215T10U2B
List Price	--
Base Frame	GR-215T-CI-TF



MODEL NUMBER:	REV.	BY	DATE	CHANGES
GR3-CI-TF-215T	1			
MFG PN:	2			
	3			
	4			
	5			
	6			
	7			