



Model Number GR3-CI-TF-213TC-4-B-D-7.5-230|460-60

MFG PN TFC213T7.5U4B

List Price --

All data shown at HIGH voltage setting

Format | STD 3 Phase

Electrical Data		General Data	
Rated Motor Output Power	7.5 HP	Frame Size	213
Rated Motor Speed	1750 r/min	Enclosure	TEFC
Rated Motor Voltage (3 Phase)	230 460-60 Volts - HZ	Approximate Weight	169
Rated Motor Current	17.8/8.9 Amps	NEMA Design	A
Service Factor	1.25	IP Rating	55
KVA Code	J	Insulation Class	F
Nominal Efficiency	91.7 %	Tropicalization	YES
Nominal Power Factor	0.86 cosθ	Duty	Cont.
Full Load Torque Ft-Lb	22.046864 Ft-Lb	Cable Entry	1.25
Temp Rise @ Full Load °C	37.3	Feet Removable	YES
Efficiency Level	IE3 - NEMA Premium	Double Drilled	NO

Load Data	RPM	Trq %FL	Current Amps	Mechanical Data	
Locked Rotor	-	230	76.01	Bearing DE Side	6308 ZZ
Breakdown	-	324	-	Bearing NDE Side	6308 ZZ
Pull Up	-	484	-	Moment of Inertia	kg.m2
125% of FL	1752	-	10.89	Noise Level	Per NEMA dB (A)
75% of FL	1773	-	6.8		
50% of FL	1782	-	5.11		
No Load		-	3.22		

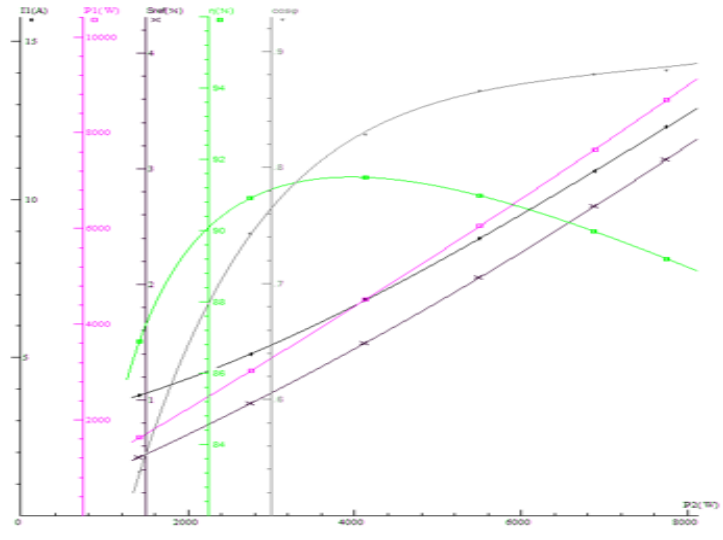
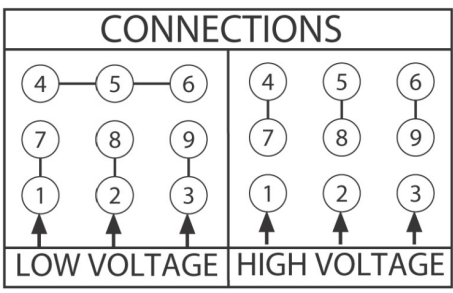
Hazardous Location	Class 1, Div 2, Grp A,B,C,D		
--------------------	-----------------------------	--	--

CT VFD Range	--	Loaded Torque Curves	
$P_1 = \text{INPUT POWER (KW)}$, $S = \text{Slip (\% of Sync RPM)}$, $\eta = \text{Efficiency (\%)}$, $\cos\phi = \text{Power Factor}$			

Certifications	UL	CSA	DOE
File Numbers	323353	224693	096A

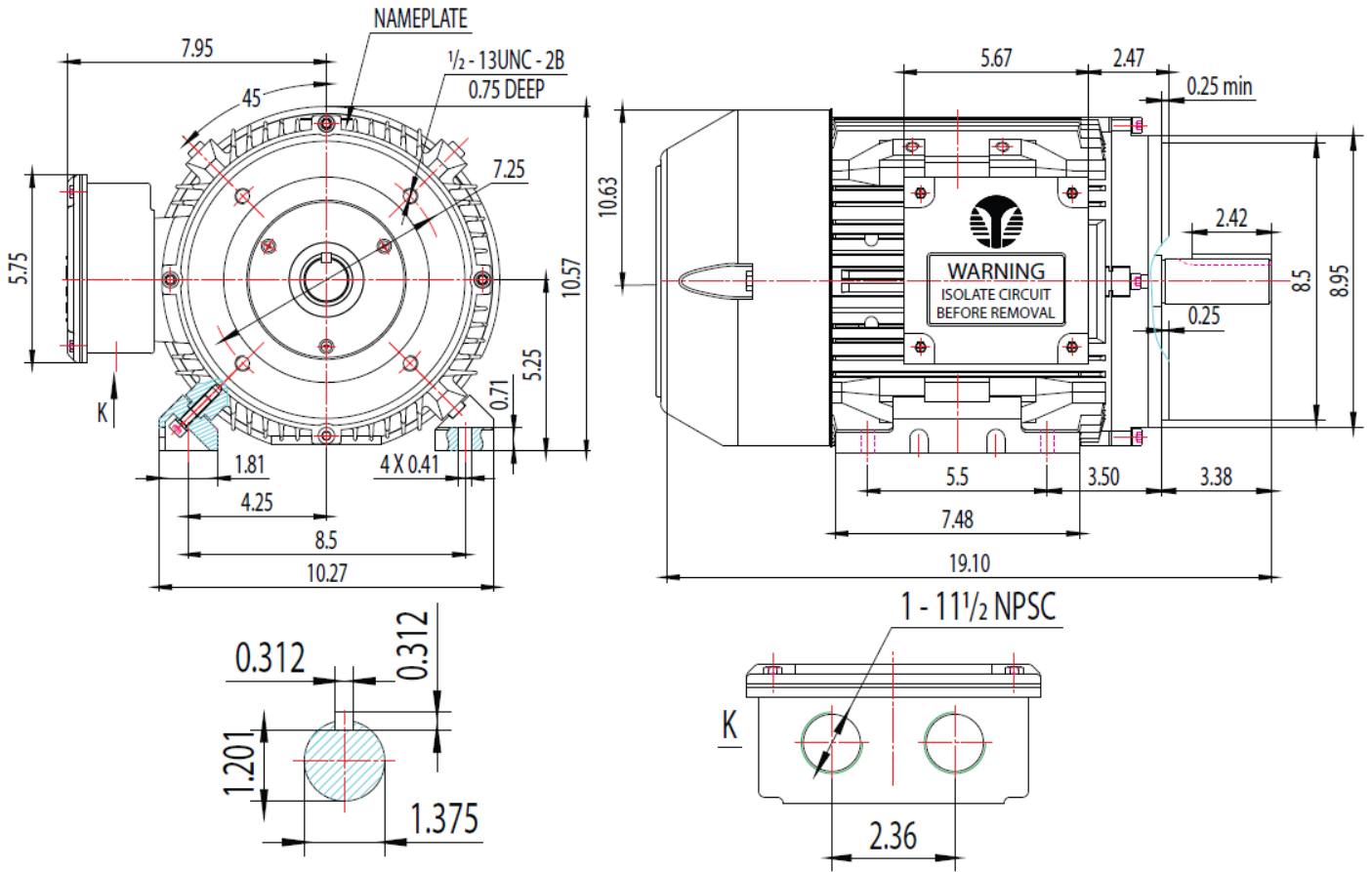
Wiring Diagram 3PH 9 Lead Dual Voltage

3 Phase - YY/Y - 9 Lead
 4,1 Blue / 5,2 White / 6,3 Org / 7 Yl / 8 Blk / 9 RD
 Cast Iron- 1,2,3 Top - 4,5,6,7,8,9 Bottom
 Aluminum - 4,5,6,8,9 Top - 1,2,3,7 Bottom



Model Number	GR3-CI-TF-213TC-4-B-D-7.5-230 460-60
MFG PN	TFC213T7.5U4B
List Price	--
Base Frame	GR-213TC-CI-TF

FRAME: 213TC | HP: | RPM: | PHASE: 3 | VOLT: 208 - 230/460V | ENCL: TEFC | FREQ: 60 Hz | FLA: | LRA:



TECHTOP
 MATERIAL:
 UNITS: INCH | BY: SSEE
 DRAWN: 6/18/2018
 WWW.TECHTOP.COM

MODEL NUMBER:
 GR3-CI-TF-213TC
 MFG PN:

REV.	BY	DATE
1		
2		
3		
4		
5		
6		
7		

CHANGES