



Model Number	GR3-CI-TF-213T-2-B-D-7.5-230 460-60
MFG PN	TFC213T7.5U2B
List Price	--

All data shown at HIGH voltage setting

Format | STD 3 Phase

Electrical Data		General Data	
Rated Motor Output Power	7.5 HP	Frame Size	213
Rated Motor Speed	3520 r/min	Enclosure	TEFC
Rated Motor Voltage (3 Phase)	230 460-60 Volts - HZ	Approximate Weight	132
Rated Motor Current	17.4/8.7 Amps	NEMA Design	A
Service Factor	1.25	IP Rating	55
KVA Code	J	Insulation Class	F
Nominal Efficiency	89.5 %	Tropicalization	YES
Nominal Power Factor	0.9 cosθ	Duty	Cont.
Full Load Torque Ft-Lb	10.982864 Ft-Lb	Cable Entry	1.25
Temp Rise @ Full Load °C	51.5	Feet Removable	YES
Efficiency Level	IE3 - NEMA Premium	Double Drilled	NO

Load Data	RPM	Trq %FL	Current Amps	Mechanical Data	
Locked Rotor	-	213	73	Rated Ambient (°C)	40
Breakdown	-	319	-	Rated Altitude (M)	1000
Pull Up	-	127	-	Coating	7024 - Graphite Grey
125% of FL	3500	-	10.61	Shaft Grounding	NO
75% of FL	3544	-	6.4	Brake Voltage (DC)	
50% of FL	3564	-	4.7	Brake Torque (N-M)	
No Load	3586	-	2.34	Bearing DE Side	6308ZZ

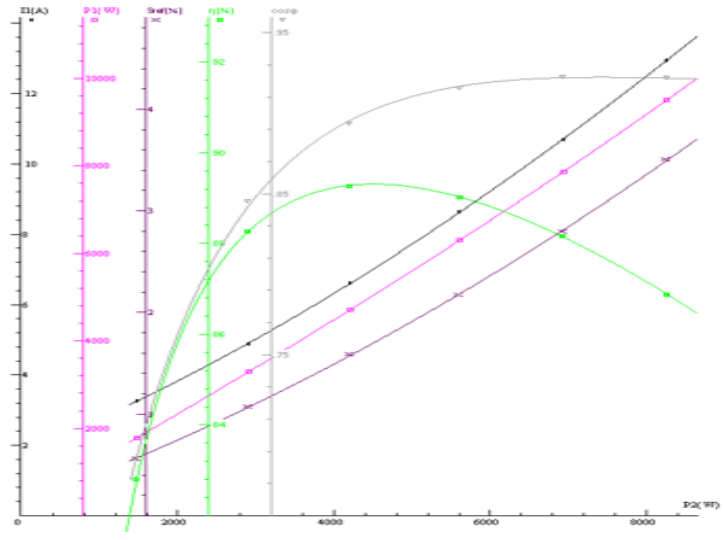
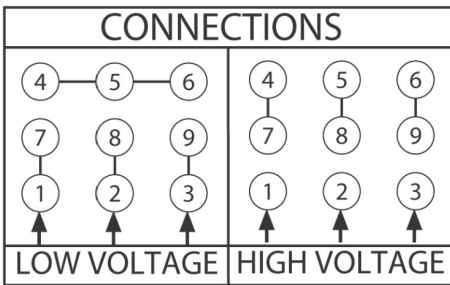
Hazardous Location	Class 1, Div 2, Grp A,B,C,D		Moment of Inertia	kg.m2
			Noise Level	Per NEMA dB (A)

CT VFD Range	--	Loaded Torque Curves	--
P1 = INPUT POWER (KW), S = Slip (% of Sync RPM), η = Efficiency (%), cosφ = Power Factor			

Certifications	UL	CSA	DOE
File Numbers	323353	224693	096A

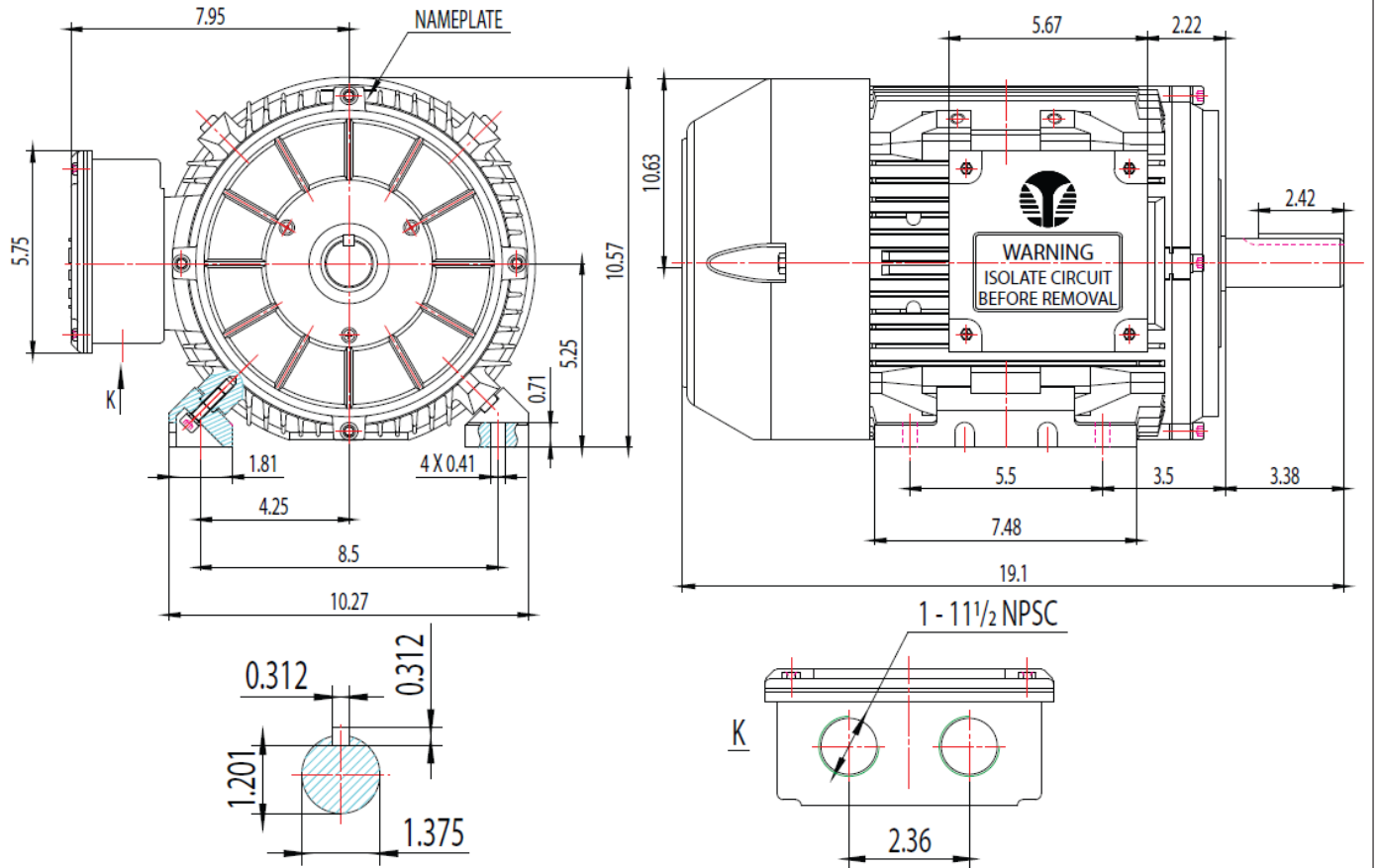
Wiring Diagram 3PH 9 Lead Dual Voltage

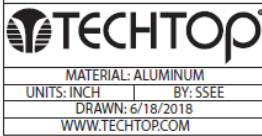
3 Phase - YY/Y - 9 Lead
 4,1 Blue / 5,2 White / 6,3 Org / 7 Yl / 8 Blk / 9 RD
 Cast Iron- 1,2,3 Top - 4,5,6,7,8,9 Bottom
 Aluminum - 4,5,6,8,9 Top - 1,2,3,7 Bottom



Model Number	GR3-CI-TF-213T-2-B-D-7.5-230 460-60
MFG PN	TFC213T7.5U2B
List Price	--
Base Frame	GR-213T-CI-TF

FRAME: 213T HP: RPM: PHASE: 3 VOLT: 115/208-230V ENCL: TEFC FREQ: 60 Hz FLA: LRA:



	MODEL NUMBER:	GR3-CI-TF-213T	REV.	BY	DATE	CHANGES
	MFG PN:	TFC213T7.5U2B	1			
			2			
			3			
			4			
			5			
			6			
		7				