



Model Number GR3-CI-TF-182TC-6-B-D-1.5-230|460-60

MFG PN TFC182T1.5U6B

List Price --

All data shown at HIGH voltage setting

Format | STD 3 Phase

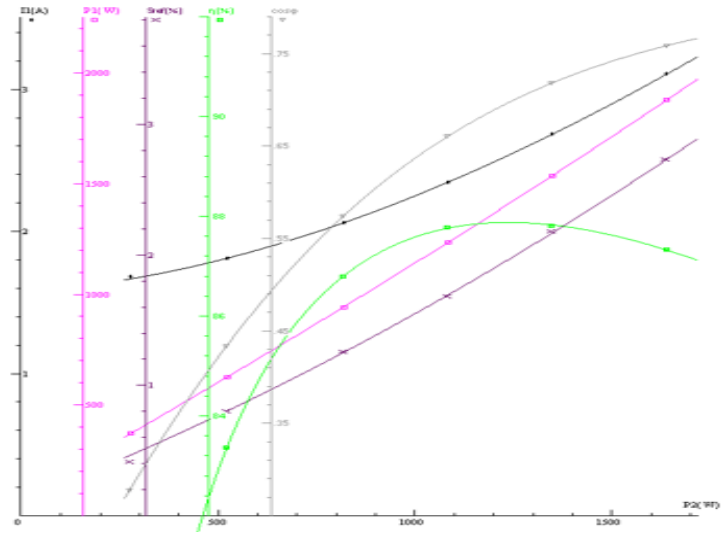
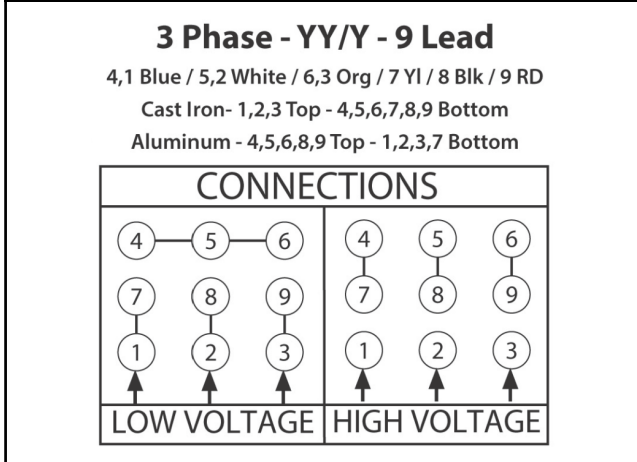
Electrical Data		General Data	
Rated Motor Output Power	1.5 HP	Frame Size	182
Rated Motor Speed	1175 r/min	Enclosure	TEFC
Rated Motor Voltage (3 Phase)	230 460-60 Volts - HZ	Approximate Weight	93.5
Rated Motor Current	4.8/2.4 Amps	NEMA Design	B
Service Factor	1.25	IP Rating	55
KVA Code	L	Insulation Class	F
Nominal Efficiency	87.5 %	Tropicalization	YES
Nominal Power Factor	0.66 cosθ	Duty	Cont.
Full Load Torque Ft-Lb	6.616272 Ft-Lb	Cable Entry	1.25
Temp Rise @ Full Load °C	20.7	Feet Removable	YES
Efficiency Level	IE3 - NEMA Premium	Double Drilled	NO

Load Data	RPM	Trq %FL	Current Amps	Mechanical Data	
Locked Rotor	-	256	17.12	Bearing DE Side	6306 ZZ
Breakdown	-	362	-	Bearing NDE Side	6306 ZZ
Pull Up	-	196	-	Moment of Inertia	kg.m2
125% of FL	1173	-	2.7	Noise Level	Per NEMA dB (A)
75% of FL	1185	-	2		
50% of FL	1190	-	1.83		
No Load	1199	-	1.62		

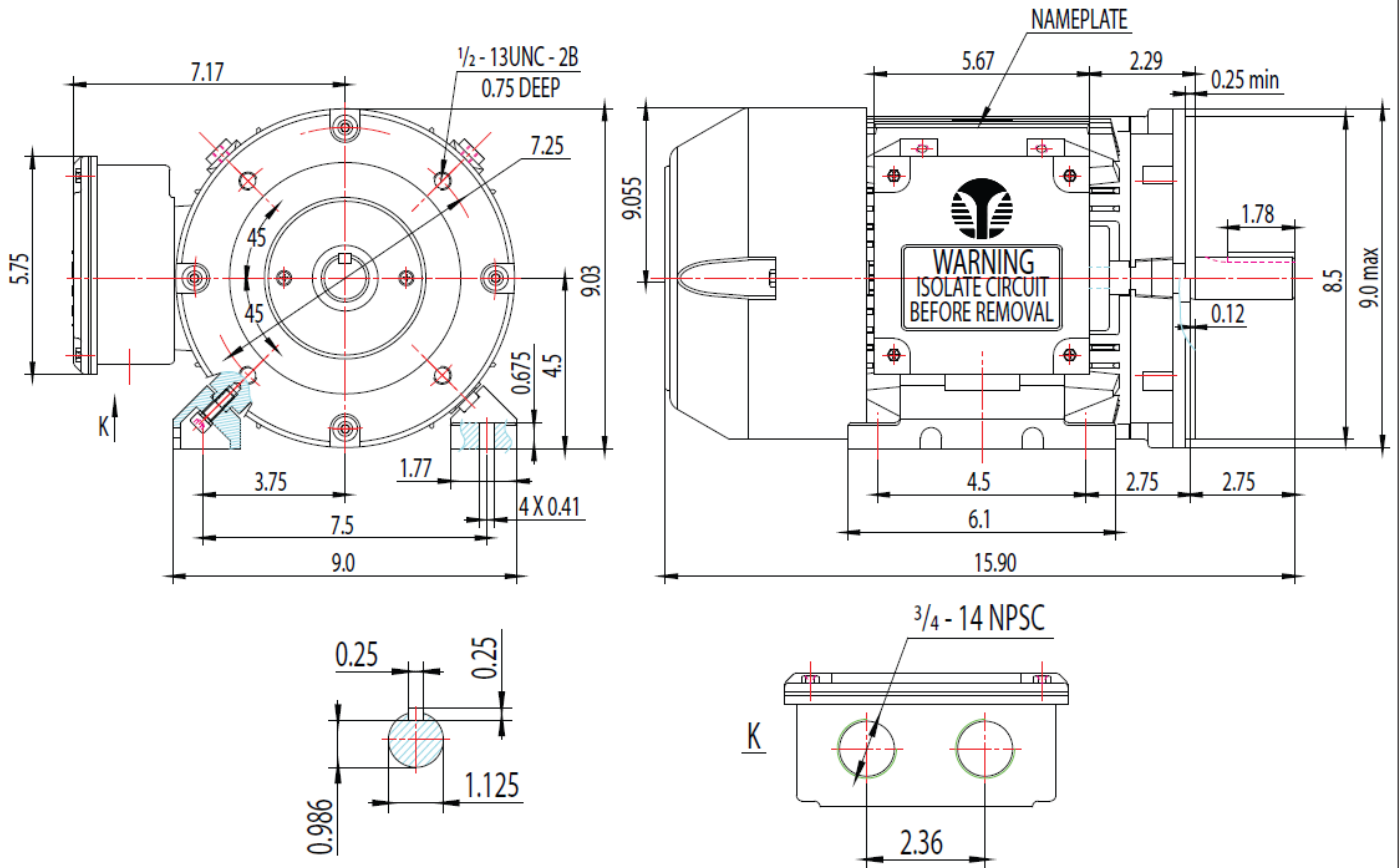
Hazardous Location	Class 1, Div 2, Grp A,B,C,D		
--------------------	-----------------------------	--	--

CT VFD Range	--	Loaded Torque Curves	
$P1 = \text{INPUT POWER (KW)}$, $S = \text{Slip (\% of Sync RPM)}$, $\eta = \text{Efficiency (\%)}$, $\cos\phi = \text{Power Factor}$			

Certifications	UL	CSA	DOE
File Numbers	323353	224693	096A
Wiring Diagram	3PH 9 Lead Dual Voltage		



FRAME: 182TC | HP: | RPM: | PHASE: 3 | VOLT: 208 - 230/460V | ENCL: TEFC | FREQ: 60 Hz | FLA: | LRA:



MODEL NUMBER:

GR3-CI-TF-182TC

MFG PN:

REV. BY DATE

1

2

3

4

5

6

7

CHANGES

MATERIAL:

UNITS: INCH BY: SSEE

DRAWN: 6/18/2018

WWW.TECHTOP.COM